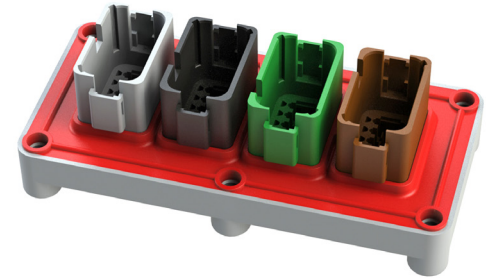




AT ATSeries™ Bulkhead



48 Position Bulkhead Receptacles



Available in 4 X 12 (48 Pos) Configuration

Our **AT Series™ Bulkhead Receptacle** combines a robust, easy to mount IP67 sealed housing with the benefits of **AT Series™ (13A)** connectors requiring less operating space, allowing higher density installation. Available in a 4 X 12 (48 Pos) configuration, each connector module is individually keyed, and color coded to prevent mis-mating. Suitable for a wide range of applications with the ability to attach from the front side of device and secure locking with high resistance to vibrations offers increased design flexibility.

The **AT Series™** connector design incorporates an integral latching system that ensures a definitive electrical and mechanical connection. Connector housings are manufactured with a durable, UV resistant, thermoplastic material with dielectric/mechanical properties and environmentally RoHS compliant. The sealing system is comprised of front and rear silicone seals, multi-sealing perimeter against environmental ingress. Contacts are derived from quality copper alloy to ensure an electrically-reliable connection.

Applications: Heavy Duty, Transportation, Marine, Diagnostic, Military, Alternative Energy, Agricultural and other demanding interconnect architectures

Key Features

- Standard or Reduced Diameter Wire Sealing Capability
- Captive Bulkhead Seal with Advanced Environmental Sealing Performance (IP67)
- Colored Coded for Easy Visual Identification & Individually "Keying" Prevents Mis-mate
- Rapid & Secure Installation, Compact & Lightweight
- Space Saving, Easy Attachment to Connector at Any Time
- Suitable for a Wide Range of Harsh Applications
- Common Contact System (Size 16, 14-20AWG)
- Excellent Tactile-Click Mating
- Compatible with **AT Series™** Plug Connectors and other existing standard products industry-wide.

AT ATSeries™

12 Pos. Plugs
Keyed A/B/C/D



A ASeries™ Family

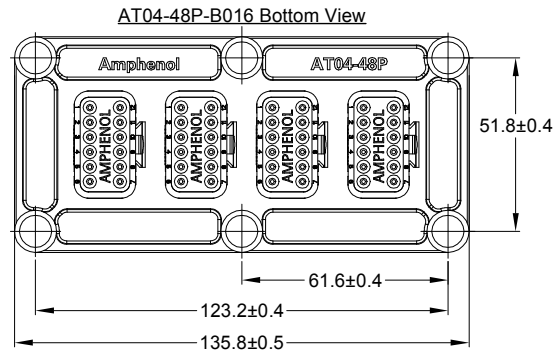
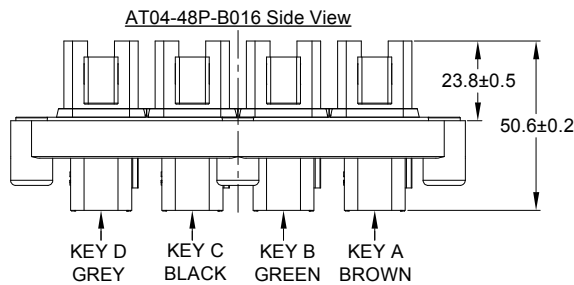


Standard products. Custom solutions
Customer Service +1 800 394 7732



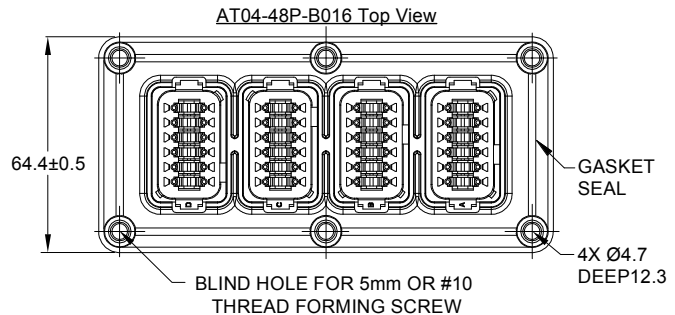
AT Series™ Bulkhead Receptacles and AT Series™ Plugs

Image	Part Number	Description	Contact Size	Amps/Voltage	AWG
	AT04-48P-B016	48 Pos. (4 x 12 Pos.), Receptacle, Keyed A/B/C/D, Sealed Flange (AW12P Wedge sold separately. See below.)	16	13/250	14-20
	AT04-48P-B016RD	48 Pos. (4 x 12 Pos.), Receptacle, Keyed A/B/C/D, Sealed Flange, Reduced Rear Seal (AW12P Wedge sold separately. See below.)	16	13/250	14-20
	AW12P	12 Pos., Wedgelock, Receptacle (AW12P Wedge sold separately.)	-	-	-
	AT06-12SA	12 Pos., Plug, Keyed A (AW12S Wedge sold separately. See below.)	16	13/250	14-20
	AT06-12SB	12 Pos., Plug, Keyed B (AW12S Wedge sold separately. See below.)	16	13/250	14-20
	AT06-12SC	12 Pos., Plug, Keyed C (AW12S Wedge sold separately. See below.)	16	13/250	14-20
	AT06-12SD	12 Pos., Plug, Keyed D (AW12S Wedge sold separately. See below.)	16	13/250	14-20
	AW12S	12 Pos., Wedgelock, Plug (AW12S Wedge sold separately.)	-	-	-



Contact Size and Rear Seal Range

	Contact Size	Min Insulation O.D.	Max Insulation O.D.	AWG Range
Standard	16	2.24mm (.088 in)	3.68mm (.145 in)	14-20
Reduced	16	1.35mm (.053 in)	3.05mm (.120 in)	14-20



For more information, contact: Customer Service, +1 800 394 7732, csr@amphenol-sine.com