

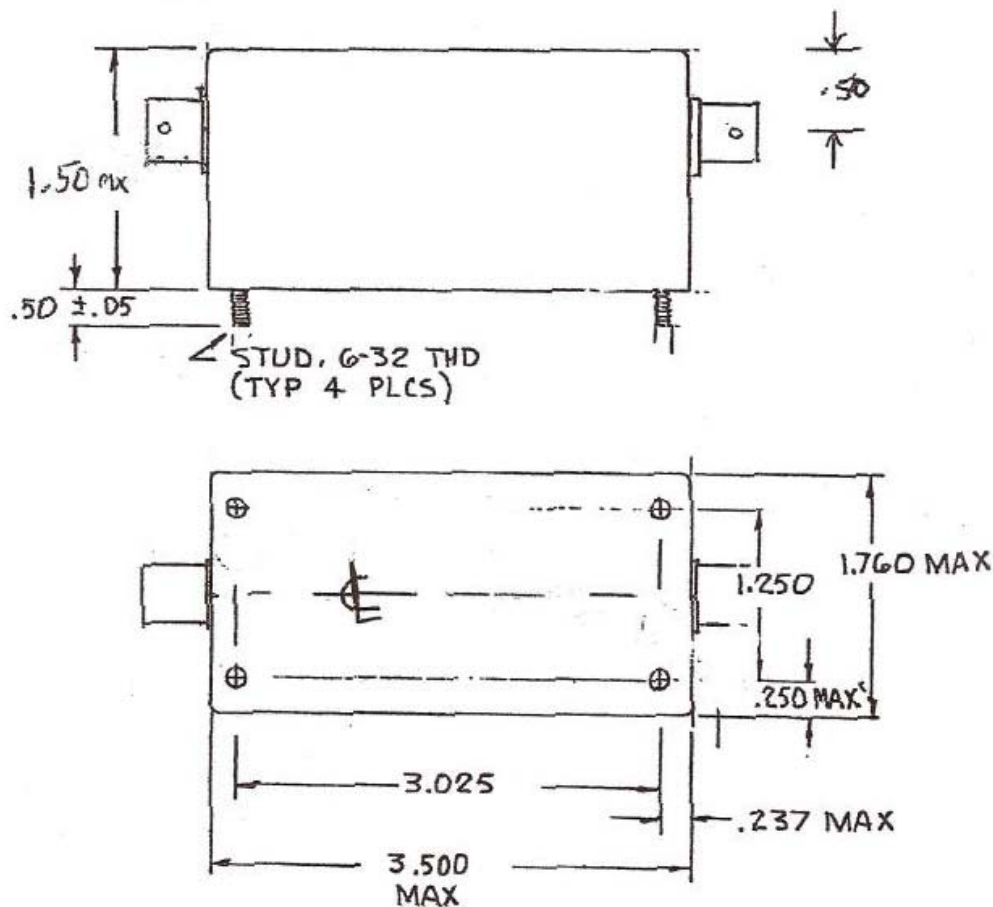


**2.1 MHz Crystal Bandpass Filter**

**Part Number: AM2.1CR309**

Center frequency:	2.1 MHz
3dB BW:	<=2KHz
Insertion loss:	<=6 dB
Ultimate rejection BW:	20 KHz
Ultimate rejection:	50 dB
Impedance:	50 ohms
Connection:	BNC

**Outline Drawing:**





**2.1 MHz Crystal Bandpass Filter**

**Part Number: AM2.1CR309**

**Response Plot:**

