

LAYOUT SHOWN AS EXAMPLE

Keying Shown as example

**CHARACTERISTICS**

- Standard : Based on MIL-DTL-38999 Series III
- Shell Material : Stainless Steel
- Shell Plating : Passivated
- Insulator : Thermoplastic
- Contacts : Copper Alloy
- Seals & Grommet : Silicon Elastomer
- Contact Plating : Gold over copper Alloy 0.8µm minimum
- Durability : 500 Mating cycles
- Delivered with Souriau contacts and Accessories
- Temperature Range : -65°C to +200°C
- Salt Spray : 500 hours

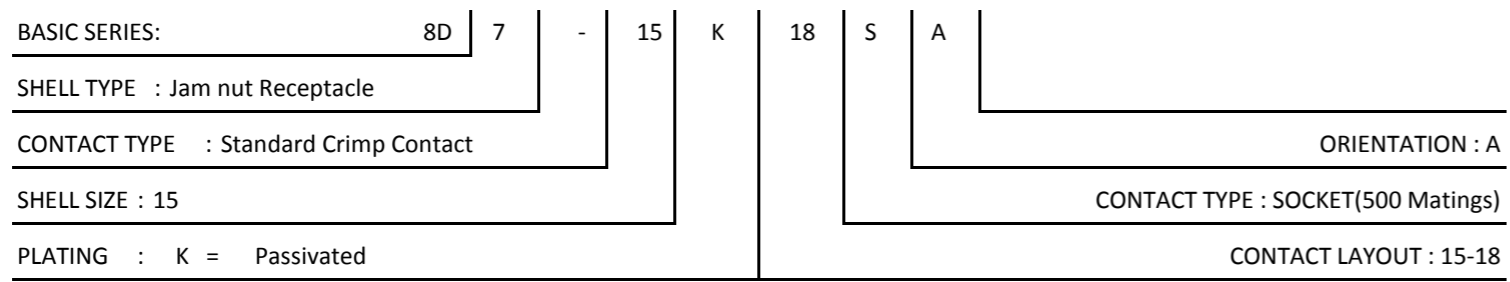
Connector dimension	
Dim	Nominal
A	41.3±0.3
B	26.97+0.1/-0.15
R	32.5Max
S	38.1±0.4
W	2.2+0.9/-0.1
VV THREAD	M22x1-6g

SOURIAU shall not be liable for any non-conformity or damage due to a use of the Products which does not comply with the Specifications issued by either of the Parties or by a third party (professional recommendation, technical notice.)

Country	Jurisdiction & Control List
FR	Not Listed

**PN: 8D715K18SA**

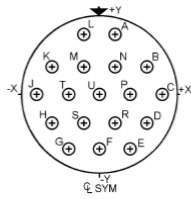
A	08-11-2016	First Release	
ISS	DATE	Latest modification - by	MOD N°
Designed By:		Date:	<b>CUSTOMER DRAWING</b>



<b>TITLE</b>		Stainless Steel Receptacle 8D series	
SCALE	NA	General linear Tolerances: ±--	NPRDS / PROJECT <b>859</b>
<b>SOURIAU</b>		WWW.SOURIAU.COM	
FORMAT <b>A3</b>		SOURIAU DRG N° <b>8D715K18SA-C</b>	
			SHEET 1/2

This document is the property of SOURIAU it must not be reproduced or communicated without permission

Contact Layout

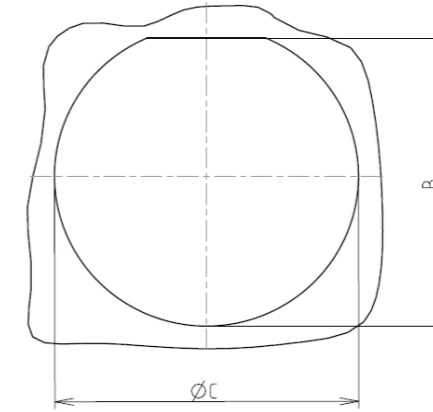


Contacts (Insert arrangement 15-18)					
Contact position ID	Location		Contact position ID	Location	
	X-axis (mm)	Y-axis (mm)		X-axis (mm)	Y-axis (mm)
A	+065 (1.65)	+252 (6.40)	K	-195 (4.95)	+113 (2.87)
B	+195 (4.95)	+113 (2.87)	L	-065 (1.65)	+252 (6.40)
C	+260 (6.60)	+000 (0.00)	M	-065 (1.65)	+113 (2.87)
D	+195 (4.95)	-113 (2.87)	N	+065 (1.65)	+113 (2.87)
E	+130 (3.30)	-225 (5.72)	P	+130 (3.30)	+000 (0.00)
F	+000 (0.00)	-225 (5.72)	R	+065 (1.65)	-113 (2.87)
G	-130 (3.30)	-225 (5.72)	S	-065 (1.65)	-113 (2.87)
H	-195 (4.95)	-113 (2.87)	T	-130 (3.30)	+000 (0.00)
J	-260 (6.60)	+000 (0.00)	U	+000 (0.00)	+000 (0.00)

Shell size	Arrangement no.	Number of contacts	Size contacts	Service rating	Contact location	Supersedes
15	-18	18	20	I	All	MS20052-18

Panel cutout

JAM NUT RECEPTACLE (TYPE 7)



Max. thickness panel for receptacle: Type 7: 3.2 mm

Dim	Nominal
B	27.56+0/-0.25
ØC	28.83+0.25/-0

SOURIAU shall not be liable for any non-conformity or damage due to a use of the Products which does not comply with the Specifications issued by either of the Parties or by a third party (professional recommendation, technical notice.)

Country	Jurisdiction & Control List
FR	Not Listed

PN: 8D715K18SA

A	08-11-2016	First Release	
ISS	DATE	Latest modification - by	MOD N°
Designed By:		Date:	<b>CUSTOMER DRAWING</b>
<b>TITLE</b>	Stainless Steel Receptacle 8D series		
SCALE		General linear Tolerances:	NPRDS / PROJECT
NA		±--	<b>859</b>
<b>SOURIAU</b>	<b>WWW.SOURIAU.COM</b>		This document is the property of SOURIAU it must not be reproduced or communicated without permission
FORMAT	<b>SOURIAU DRG N° 8D715K18SA-C</b>		SHEET 2/2