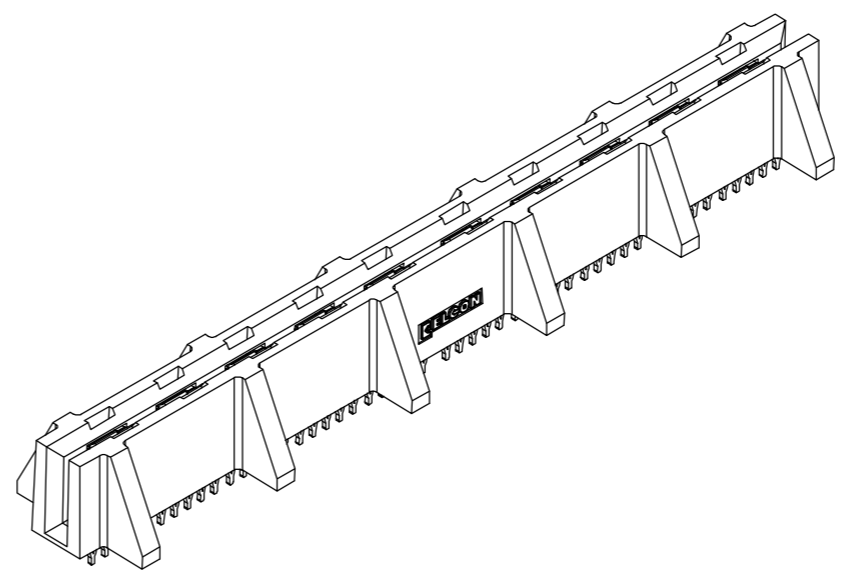


This drawing involves proprietary design rights of Tyco Electronics Corporation, and all design, manufacture, reproduction, use and sale rights regarding the same are expressly reserved. It is submitted for a specific purpose and the recipient by accepting this drawing, assumes custody and control and agrees to take reasonable precautions; (a) that this drawing will not be copied and reproduced, in whole or in part, or its contents revealed in any manner, or to any person except to meet the purpose for which it was delivered and (b) that any special features peculiar to this design will not be incorporated in other projects without the expressed written permission of Tyco Electronics Corporation.

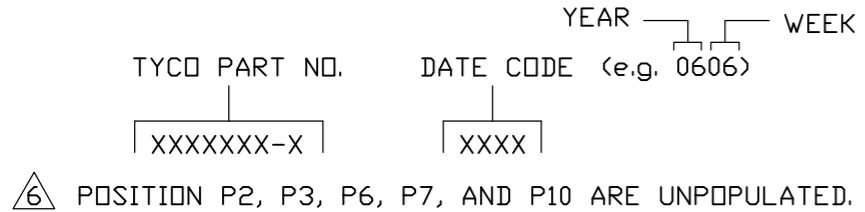
REVISIONS			
EC	REV	DESCRIPTION	DATE
CPR	A	NEW RELEASE	2/6/06



NOTES: UNLESS OTHERWISE SPECIFIED;

- PART NUMBER CHANGES AND OR DESIGN CHANGES AFFECTING ITEM INTERCHANGEABILITY REQUIRE PRIOR TYCO APPROVAL AND AUTHORIZATION BY REVISION TO THIS DRAWING.
- MATERIALS:
 - INSULATORS: THERMOPLASTIC, GLASS REINFORCED, COLOR-BLACK, UL94V-0 FLAMMABILITY RATED.
 - POWER CONTACTS: PHOSPHOR-BRONZE ALLOY, COPPER ALLOY.
 - CROWN BANDS: COPPER ALLOY.
- FINISHES:
 - CONTACTS: GOLD PLATE .000030" MIN. THK, OVER NICKEL .000040" MIN. THICKNESS.
 - TERMINALS: TIN PLATE, MATTE FINISH 000040" MIN. THICKNESS.
- SOCKET CONNECTORS ACCEPT 1.60 [.062"] ±10% THK PC BOARD.
- ITEMS PROVIDED TO THIS SPECIFICATION TO BE PERMANENTLY IDENTIFIED PER THE FOLLOWING IDENTIFIER.

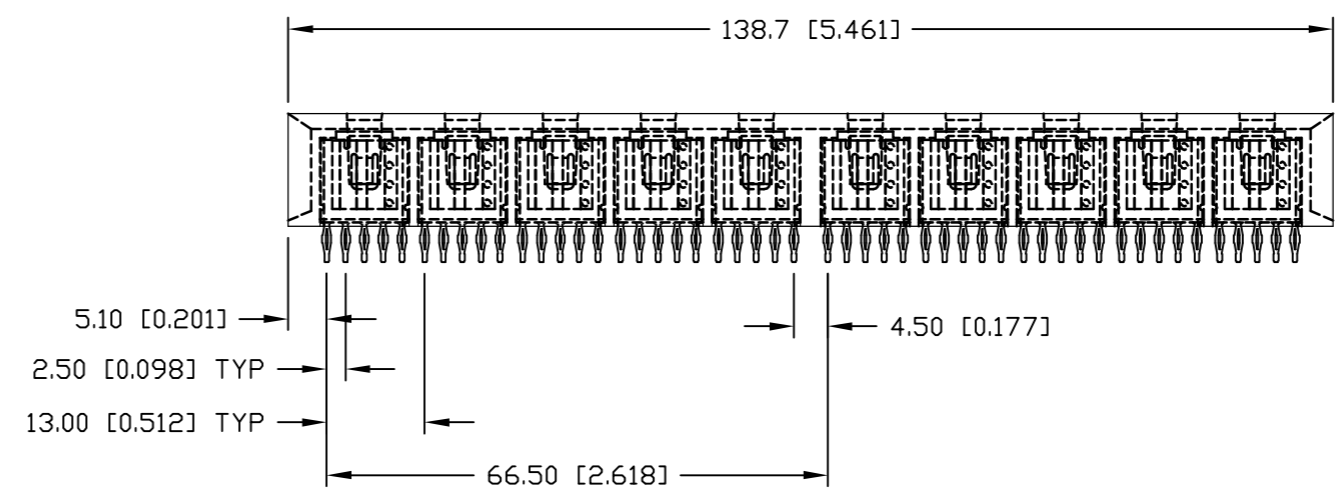
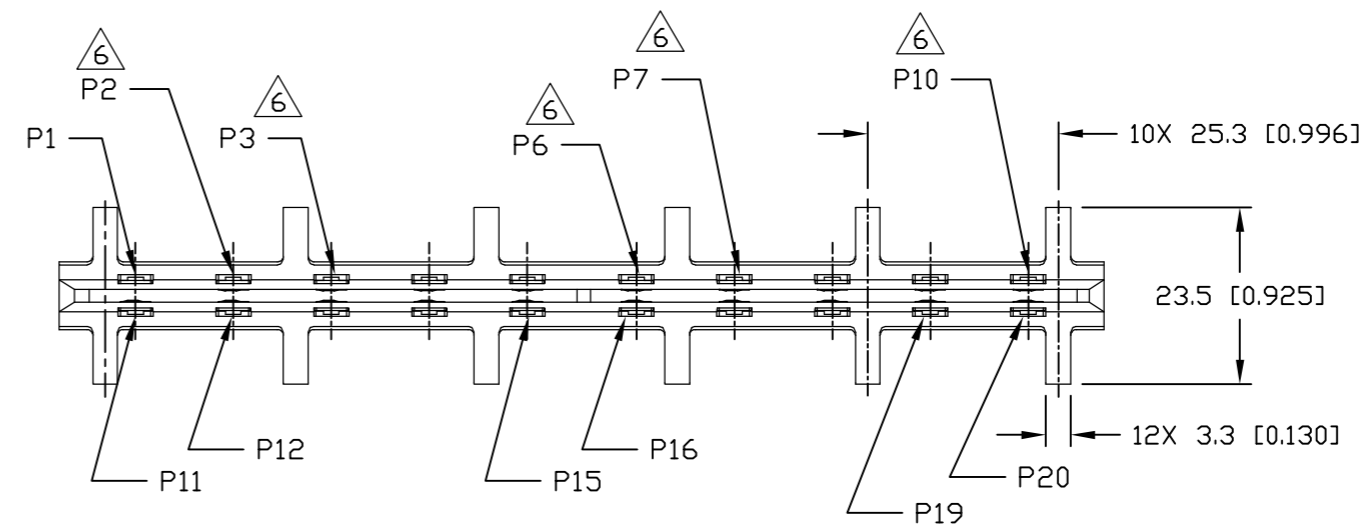
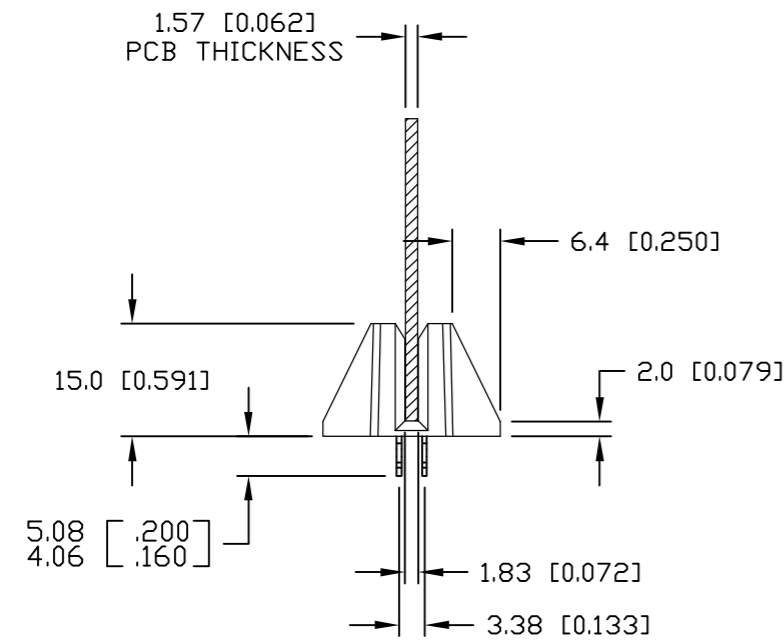
TYCO PART NUMBER
6766611-1



← MM OR MM [INCH] INCH THIRD ANGLE PROJECTION UNLESS OTHERWISE SPECIFIED DIMENSIONS ARE IN METRIC [INCHES] TOLERANCES ANGLES ± .5° DECIMALS .XX ± .25 [.010] .X ± .5 [.020]	DRAWN R. F. A.	DATE 2/6/06	 Tyco Electronics Corporation Menlo Park, Ca 94025 	TITLE CONNECTOR, SOCKET SIDE ENTRY, CROWN EDGE	
	CHECKED				
	APPROVED		APPROVED D. CHAU 2/6/06		SIZE B
	APPROVED DCA APPROVED		ACAD FILE NUMBER C6766611A.DWG		DWG NUMBER C = 6766611
			REV. A	DWG SCALE 1=1 SH 1 OF 3	

This drawing involves proprietary design rights of Tyco Electronics Corporation, and all design, manufacture, reproduction, use and sale rights regarding the same are expressly reserved. It is submitted for a specific purpose and the recipient by accepting this drawing, assumes custody and control and agrees to take reasonable precautions; (a) that this drawing will not be copied and reproduced, in whole or in part, or its contents revealed in any manner, or to any person except to meet the purpose for which it was delivered and (b) that any special features peculiar to this design will not be incorporated in other projects without the expressed written permission of Tyco Electronics Corporation.

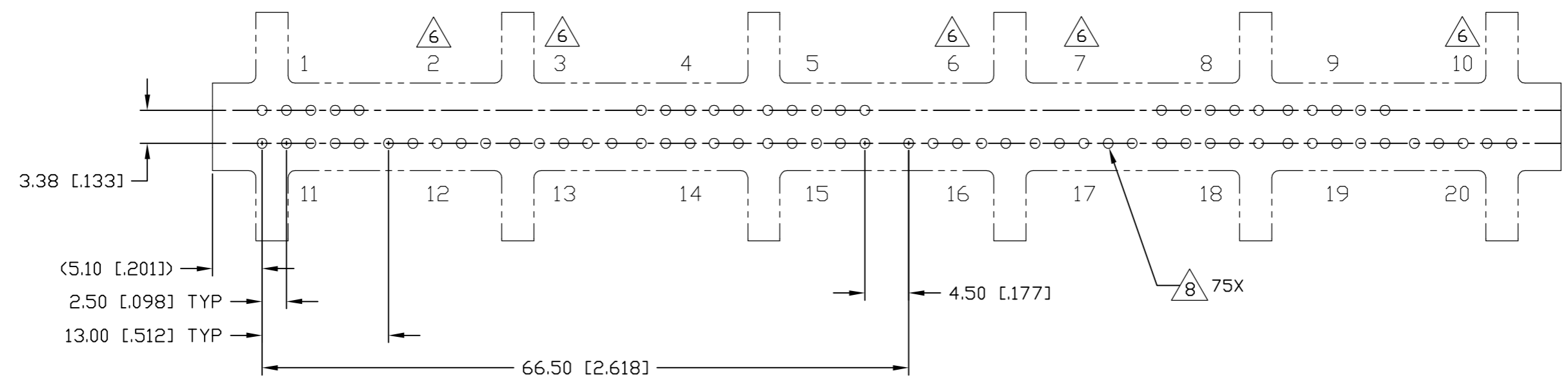
REVISIONS			
EC	REV	DESCRIPTION	DATE
		SEE SHEET 1	



← MM OR MM [INCH] INCH THIRD ANGLE PROJECTION UNLESS OTHERWISE SPECIFIED DIMENSIONS ARE IN METRIC [INCHES] TOLERANCES ANGLES ± .5° DECIMALS .XX ± .25 [0.010] .X ± .5 [0.020]	DRAWN R. F. A.	DATE 2/6/06	 Tyco Electronics Corporation Menlo Park, Ca 94025 	TITLE CONNECTOR, SOCKET SIDE ENTRY, CROWN EDGE	
	CHECKED			SIZE B	DWG NUMBER C = 6766611
	APPROVED D. CHAU	2/6/06	ACAD FILE NUMBER C6766611A.DWG	DWG SCALE 1=1	SH 2 OF 3

This drawing involves proprietary design rights of Tyco Electronics Corporation, and all design, manufacture, reproduction, use and sale rights regarding the same are expressly reserved. It is submitted for a specific purpose and the recipient by accepting this drawing, assumes custody and control and agrees to take reasonable precautions; (a) that this drawing will not be copied and reproduced, in whole or in part, or its contents revealed in any manner, or to any person except to meet the purpose for which it was delivered and (b) that any special features peculiar to this design will not be incorporated in other projects without the expressed written permission of Tyco Electronics Corporation.

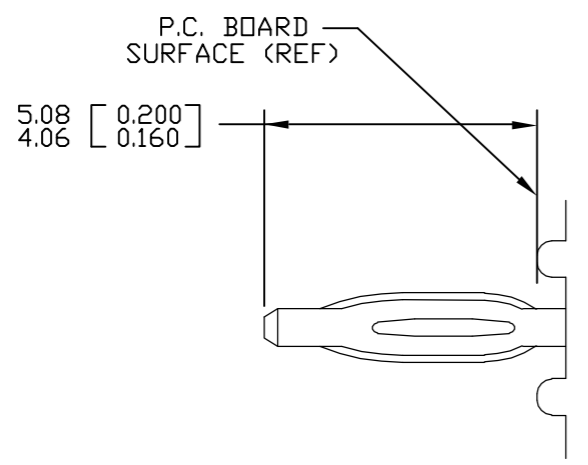
REVISIONS			
EC	REV	DESCRIPTION	DATE
		SEE SHEET 1	



SUGGESTED PCB LAYOUT
SCALE 2=1

DETAIL A

8 SOLDER TERMINATION AREA
 RECOMMENDED PRINTED CIRCUIT HOLE
 DRILLED HOLE: $\phi 1.15$ [0.0453] ± 0.13 [0.005]
 COPPER PLATE: .025-.050 [0.001-.002] MINIMUM (PER SURFACE)
 TIN PLATE: .0005 [0.00002] MINIMUM (PER SURFACE)



7. COMPLIANT PIN DETAIL
 INSERTION/EXTRACTION FORCES
 MAXIMUM PUSH-IN: 133.3N PER PIN [30 LBS]
 MINIMUM PUSH-OUT: 44.4N PER PIN [10 LBS]

← MM OR MM [INCH] INCH THIRD ANGLE PROJECTION UNLESS OTHERWISE SPECIFIED DIMENSIONS ARE IN METRIC [INCHES] TOLERANCES ANGLES $\pm .5^\circ$ DECIMALS .XX $\pm .25$ [0.010] .X $\pm .5$ [0.020]	DRAWN R. F. A.	DATE 2/6/06	 Tyco Electronics Corporation Menlo Park, Ca 94025 	
	CHECKED			TITLE
	APPROVED			USER INFORMATION COMPLIANT TAIL TERMINATION AND PCB LAYOUT
	APPROVED D. CHAU	2/6/06		SIZE B
	DCA APPROVED		DWG NUMBER C = 6766611	
	ACAD FILE NUMBER	C6766611A.DWG	REV. A	
		DWG SCALE 1=1	SH 3 OF 3	