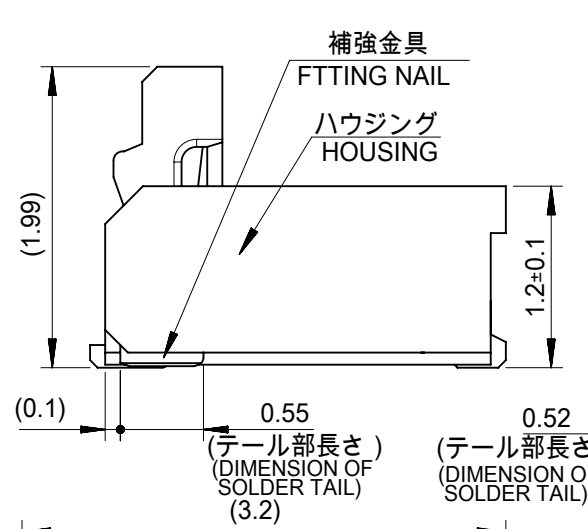
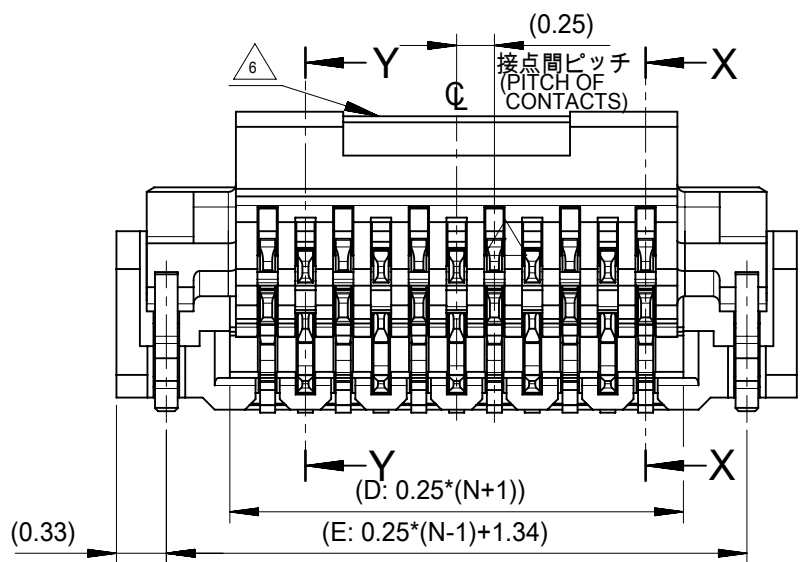
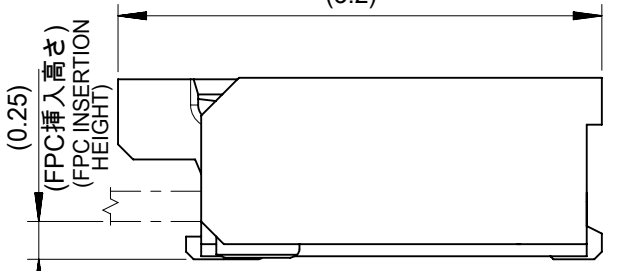


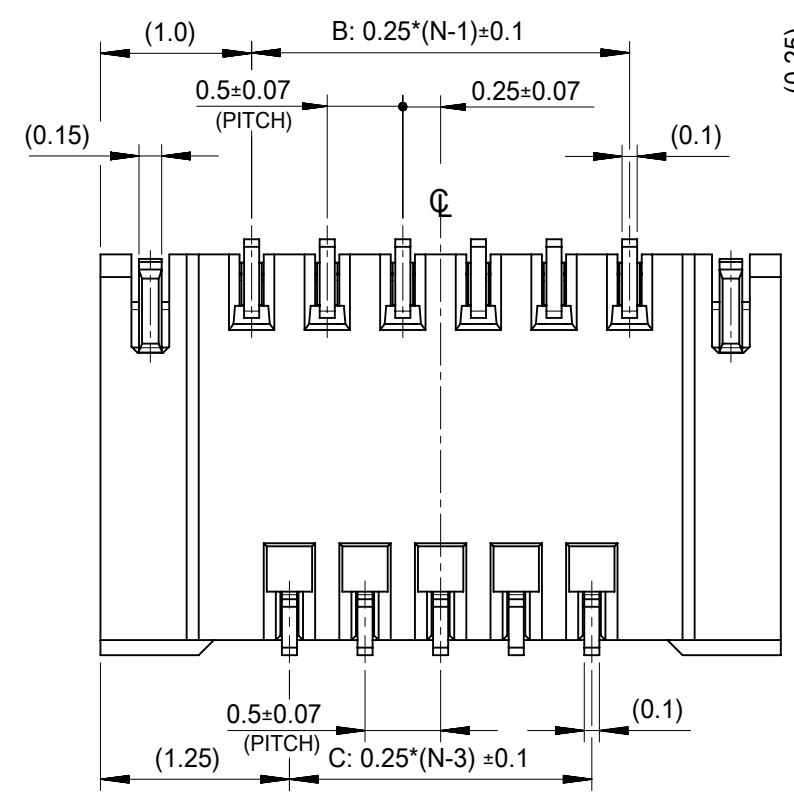
SECTION Y-Y



SECTION X-X



アクチュエータ閉じ位置  
ACTUATOR CLOSED POSITION



注記 NOTES

1. 使用材料 MATERIALS  
 ハウジング : 液晶ポリマー(UL94V-0、黒色)  
 アクチュエータ : ポリアミド樹脂(UL94V-0、ベージュ)  
 奇数端子 : リン青銅  
 偶数端子 : リン青銅  
 補強金具 : リン青銅  
 HOUSING : G.F. LCP (BLACK)  
 ACTUATOR : G.F. POLYAMIDE (BEIGE)  
 ODD TERMINAL : PHOSPHOR BRONZE  
 EVEN TERMINAL : PHOSPHOR BRONZE  
 FITTING NAIL : PHOSPHOR BRONZE
2. メッキ仕様 PLATING  
 端子 TERMINAL  
 テール部 : 金メッキ  
 接点部 : 金メッキ 0.1µm 以上  
 下地 : ニッケルメッキ 1.0 µm 以上  
 TAIL AREA : Gold PLATING  
 CONTACT AREA : Gold PLATING 0.1µm MINIMUM  
 UNDER PLATING : Nickel PLATING 1.0µm MINIMUM
- 金具 FITTING NAIL  
 全面 : スズメッキ 1.0 µm 以上  
 下地 : ニッケルメッキ 1.0 µm 以上  
 ALL OVER : Tin PLATING 1.0µm MINIMUM  
 UNDER PLATING : Nickel PLATING 1.0µm MINIMUM
- △3 端子、補強金具のコプラナリティーは0.1以下とする  
 COPLANALITY OF SOLDER TAILS AND FITTING NAILS : 0.1MAX.
4. 一般公差 : ±0.3  
 GENERAL TOLERANCES : ±0.3
5. ELV及びRoHS適合品  
 ELV AND RoHS COMPLIANT
- △6 ゲート部形状とする  
 本形状は極数により異なります  
 THIS SHAPE IS FOR GATE  
 IT DEPENDS ON THE NUMBER OF CIRCUITS

14.34	13.5	12.5	13	15	503300-5310	53
11.84	11	10	10.5	12.5	503300-4310	43
11.34	10.5	9.5	10	12	503300-4110	41
10.34	9.5	8.5	9	11	503300-3710	37
8.84	8	7	7.5	9.5	503300-3110	31
8.34	7.5	6.5	7	9	503300-2910	29
6.34	5.5	4.5	5	7	503300-2110	21
5.34	4.5	3.5	4	6	503300-1710	17
E	D	C	B	A	ORDER NO.	CIRCUITS
					EMBOSSED TAPE PACKAGE	
					CONNECTOR SERIES NO.	503300-**18

THIS DRAWING CONTAINS INFORMATION THAT IS PROPRIETARY TO MOLEX ELECTRONIC TECHNOLOGIES, LLC AND SHOULD NOT BE USED WITHOUT WRITTEN PERMISSION

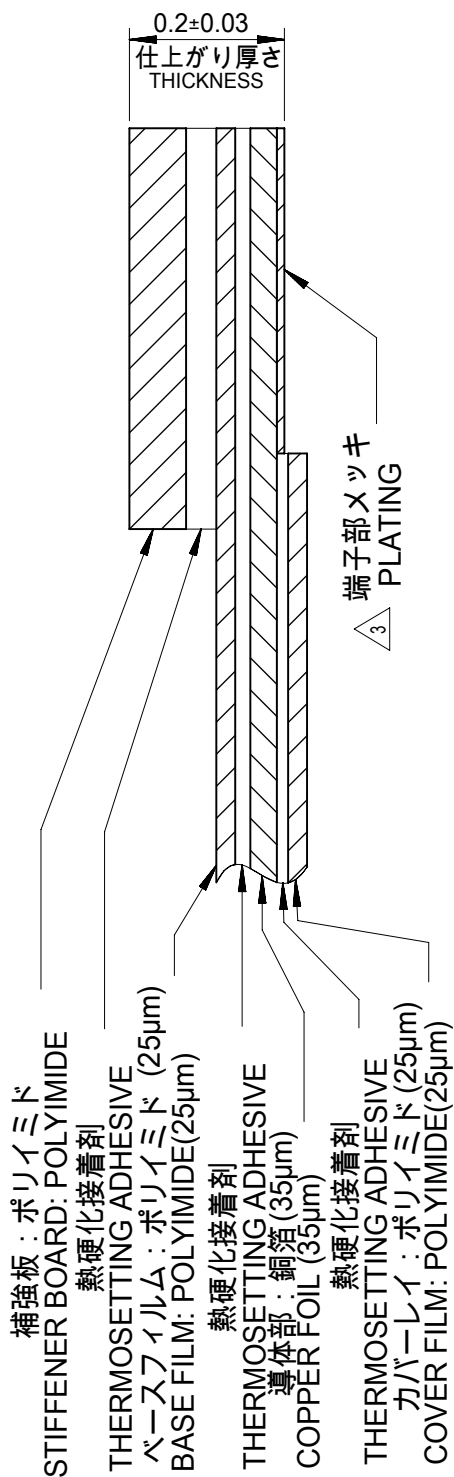
DIMENSION UNITS	SCALE	CURRENT REV DESC:	
mm	20:1		
GENERAL TOLERANCES (UNLESS SPECIFIED)			
ANGULAR TOL	± 1.0 °		
4 PLACES	± 0.3	EC NO: 749229	
3 PLACES	± 0.3	DRWN: RAJAGN	2023/05/02
2 PLACES	± 0.3	CHK'D: HSHIMUYAMA	2023/05/11
1 PLACE	± 0.3	APPR: YNAITO	2023/05/11
0 PLACES	± 0.3	INITIAL REVISION:	
DRAFT WHERE APPLICABLE MUST REMAIN WITHIN DIMENSIONS		DRWN: MNIITA	2010/08/23
		APPR: SHOSHIKAWA	2010/08/27
THIRD ANGLE PROJECTION	DRAWING	SERIES	MATERIAL NUMBER
	A3-SIZE	503300	SEE TABLE
		CUSTOMER	SHEET NUMBER
		GENERAL	1 OF 2

**molex**

0.25 PITCH FPC CONN. E/O  
HGT=1.2 UPR CONTACT TYPE LOW-HALOGEN

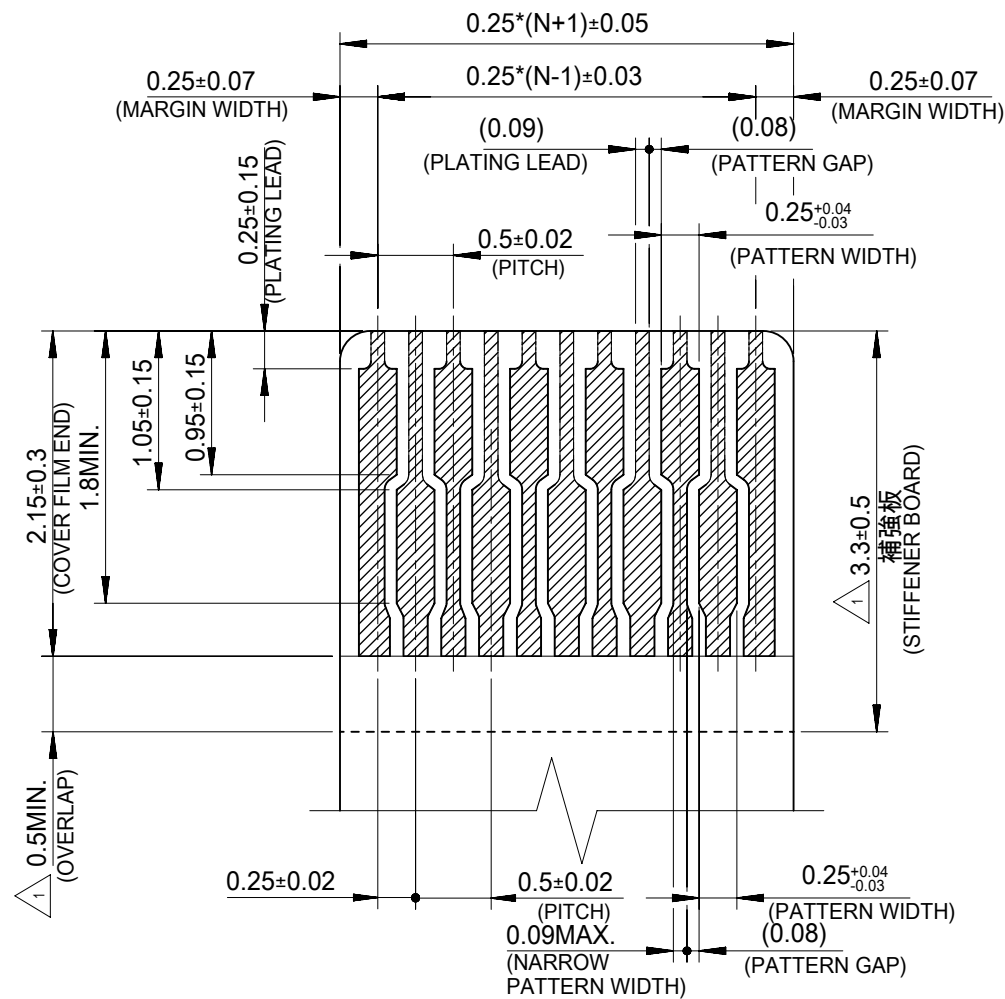
PRODUCT CUSTOMER DRAWING

DOCUMENT NUMBER: SD-503300-001  
 DOC TYPE: PSD  
 DOC PART: 001  
 REVISION: F



FPC 構成材料例

EXAMPLE OF FPC COMPOSITION MATERIAL



適合するFPC推奨寸法  
APPLICABLE FPC  
RECOMMENDED DIMENSION

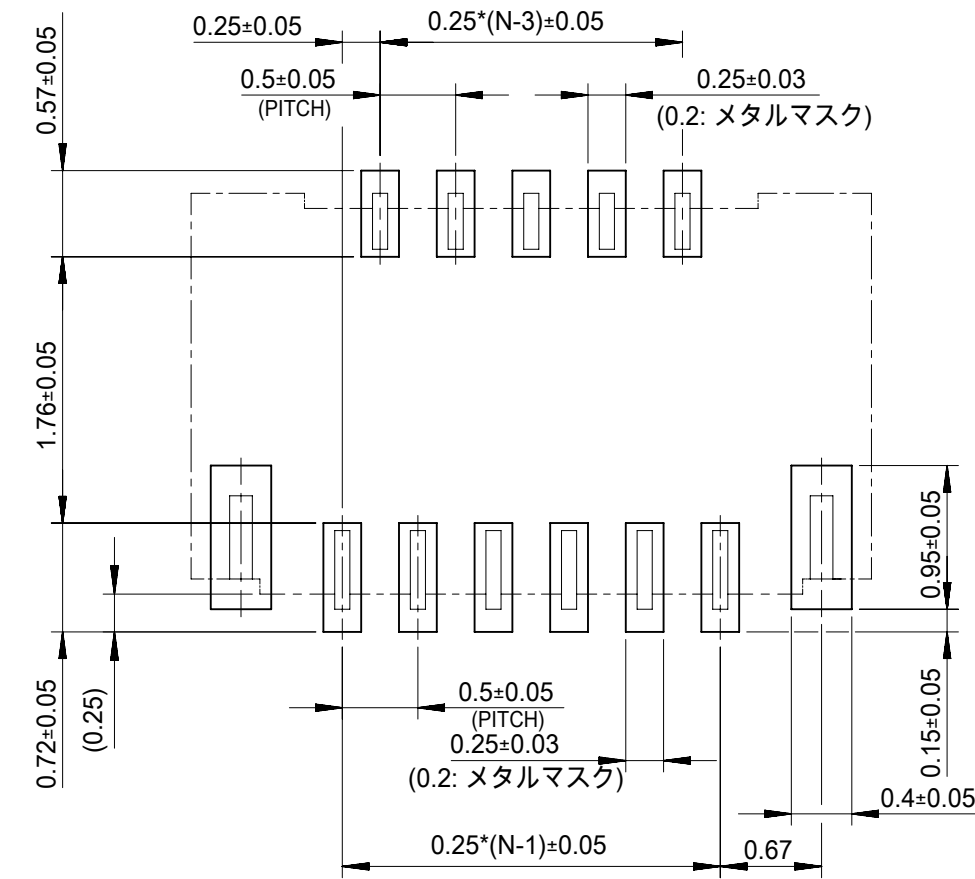
(端子部仕上げり厚さ : 0.2±0.03)  
(THICKNESS: 0.2±0.03)

注記 NOTES

- 補強板長さが図面通り確保できない場合は、カバーレイと補強板のオーバーラップ寸法を0.5mm以上としてください  
WHEN STIFFENER BOARD DIMENSION CAN NOT SECURE AS DRAWING, PLEASE GIVE THE OVERLAP SIZE OF COVER FILM AND STIFFENER BOARD AS 0.5mm MINIMUM
- 推奨ペースト厚 : 100µm  
推奨マスク開口率 : 80%  
RECOMMEND SCREEN THICKNESS : 100µm  
RECOMMEND SCREEN OPEN RATIO : 80%

- FPCパターンのメッキ仕様は  
金メッキ : 0.1µm 以上  
下地ニッケルメッキ : 2~6µm  
FPC PATTERN PLATING  
GOLD PLATING : 0.1µm MINIMUM  
NICKEL UNDER PLATING : 2~6µm

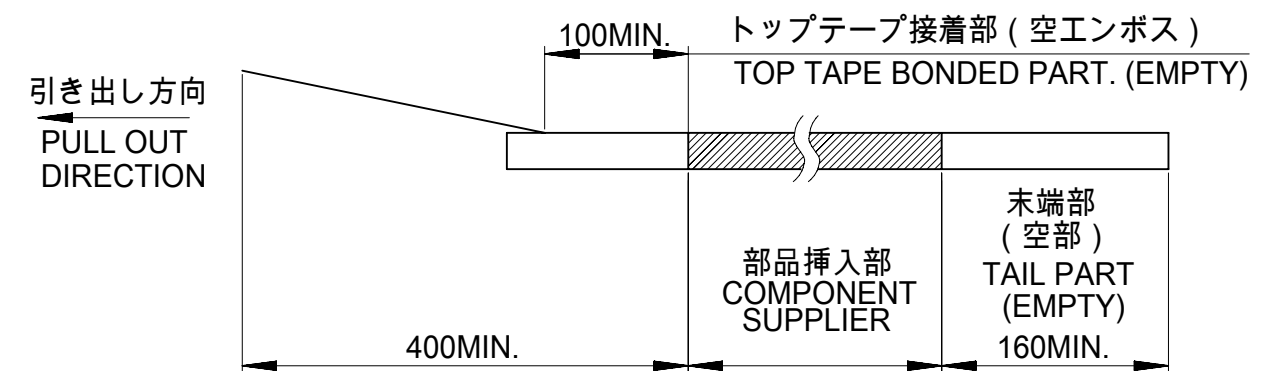
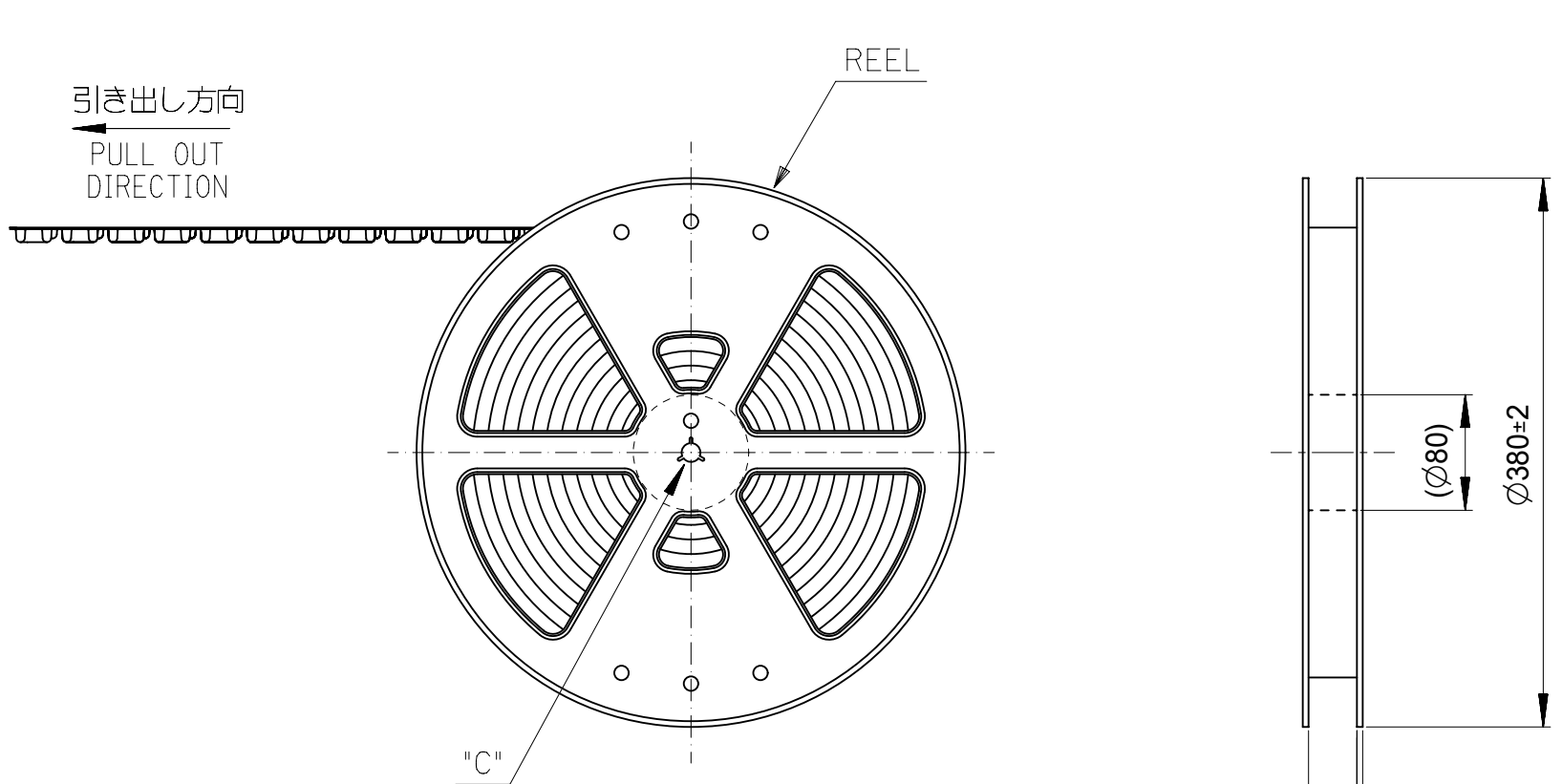
- FPCについて(ABOUT FPC)  
抜き方向は、導体側から補強板側を推奨します  
補強板材質は、ポリイミドを推奨します  
接着剤は熱硬化接着剤を推奨します  
なお、接着剤の接点部への付着は導通不良の原因となりますので染み出しがないよう、お願いします  
RECOMMENDED PUNCHER DIRECTION:  
FROM CONDUCTOR SIDE TO STIFFENER BOARD SIDE  
RECOMMENDED MATERIAL:  
STIFFENER BOARD: POLYIMIDE  
BONDING AGENT: THERMOSETTING AGENT  
PLEASE PUT APPROPRIATE AMOUNT OF ADHESIVE ON THE CONTACT AREA BECAUSE THE EXTRA ADHESIVE MAY CAUSE THE DEFECT IN ELECTRICAL CONTINUITY



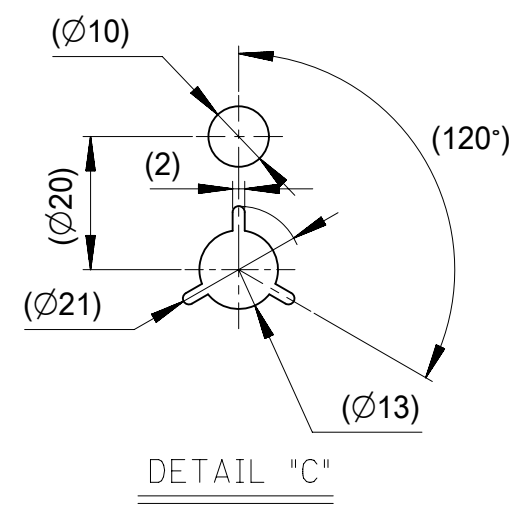
THIS DRAWING CONTAINS INFORMATION THAT IS PROPRIETARY TO MOLEX ELECTRONIC TECHNOLOGIES, LLC AND SHOULD NOT BE USED WITHOUT WRITTEN PERMISSION									
DIMENSION UNITS		SCALE		CURRENT REV DESC:					
mm		20:1							
GENERAL TOLERANCES (UNLESS SPECIFIED)				EC NO: 749229				0.25 PITCH FPC CONN. E/O HGT=1.2 UPR CONTACT TYPE LOW-HALOGEN	
ANGULAR TOL ± 1.0°				DRWN: RAJAGN 2023/05/02					
4 PLACES ± 0.3				CHK'D: HSHIMOYAMA 2023/05/11				PRODUCT CUSTOMER DRAWING	
3 PLACES ± 0.3				APPR: YNAITO 2023/05/11					
2 PLACES ± 0.3				INITIAL REVISION:				DOCUMENT NUMBER	
1 PLACE ± 0.3				DRWN: MNIITA 2010/08/23					
0 PLACES ± 0.3				APPR: SHOSHIKAWA 2010/08/27				SD-503300-001	
DRAFT WHERE APPLICABLE MUST REMAIN WITHIN DIMENSIONS		THIRD ANGLE PROJECTION		DRAWING		SERIES		SHEET NUMBER	
				A3-SIZE		503300		2 OF 2	

注記 NOTES

- 製品詳細寸法については図面 SD-503300-001 を参照下さい。  
RE DETAILED DIMENSION, SEE SD-503300-001
- 梱包数量 : 3000 個 / リール  
NUMBER OF CONNECTORS : 3000 PCS/REEL
- リードテープ長さ LEAD TAPE LENGTH



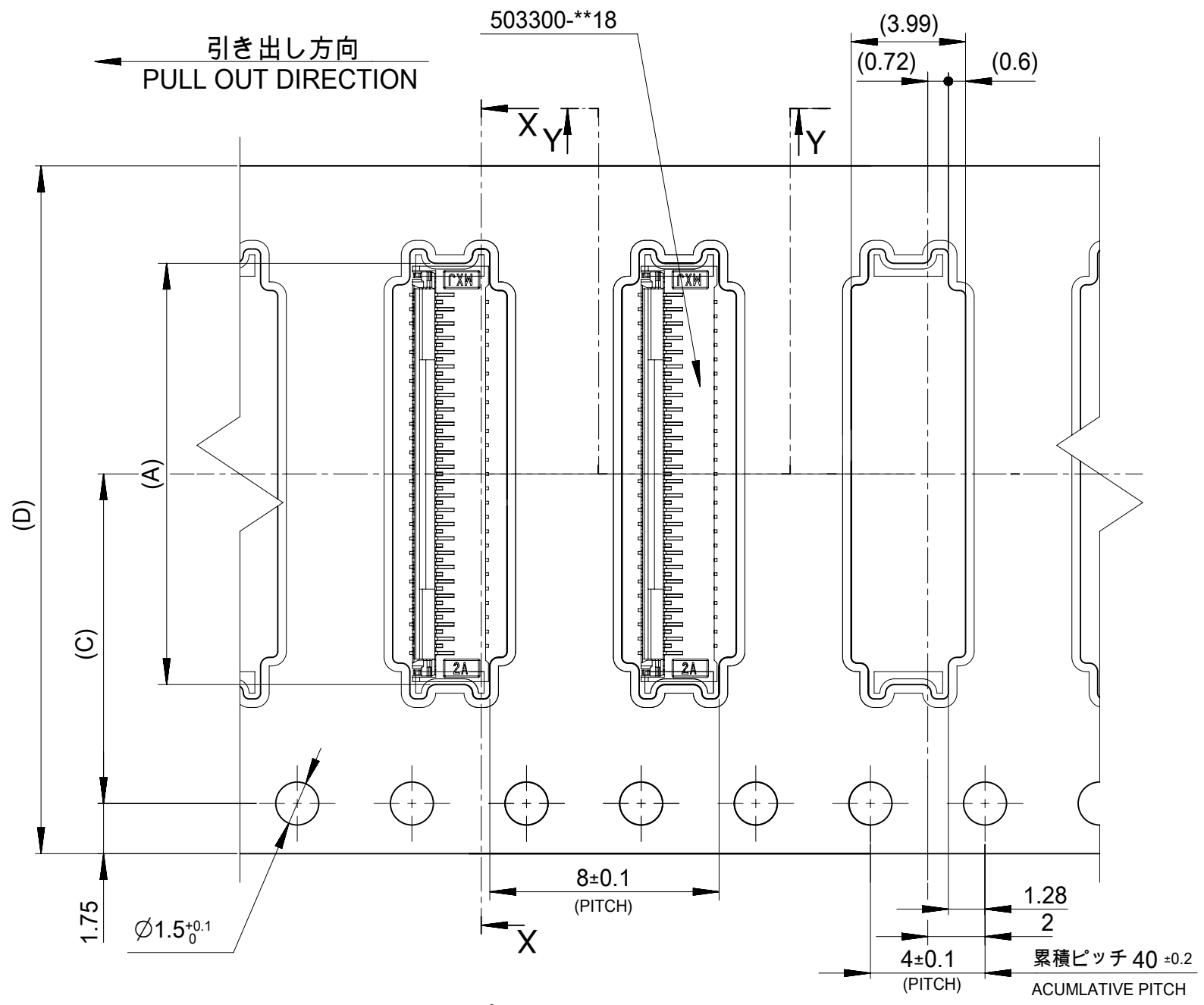
- 材料 MATERIAL  
 キャリアテープ (CARRIER TAPE) : ポリスチレン (POLYSTYRENE)  
 トップテープ (TOP TAPE) : PET, PE, PEF  
 リール (REEL) : ポリスチレン (PS) <リサイクル材を含む>  
 POLYSTYRENE (PS) <RECYCLE MATERIAL CONTAINED>
- カバーテープの剥離強度については、IEC60286-3 に準拠  
 COVER TAPE PEEL FORCE IS DEFINED BY IEC60286-3.



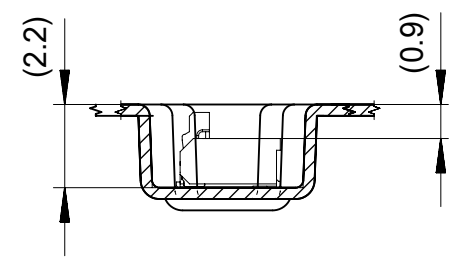
CONNECTOR SERIES NO. 503300-\*\*10

THIS DRAWING CONTAINS INFORMATION THAT IS PROPRIETARY TO MOLEX ELECTRONIC TECHNOLOGIES, LLC AND SHOULD NOT BE USED WITHOUT WRITTEN PERMISSION		CURRENT REV DESC:		<b>molex</b>	
DIMENSION UNITS	SCALE	EC NO: 749229			
mm	1:1	DRWN: RAJAGN 2023/05/02		0.25MM FPC CONN. E/O	
GENERAL TOLERANCES (UNLESS SPECIFIED)		CHK'D: HSHIMOYAMA 2023/05/11		H=1.2 HSG ASSY UPR EMBOSSED TAPE PACKAGE	
ANGULAR TOL ± 1.0°		APPR: YNAITO 2023/05/11		PRODUCT CUSTOMER DRAWING	
4 PLACES ± 0.2		INITIAL REVISION:		DOCUMENT NUMBER	
3 PLACES ± 0.25		DRWN: MNIITA 2010/08/24		SD-503300-002	
2 PLACES ± 0.3		APPR: SHOSHIKAWA 2010/08/27		PSD 001 D	
1 PLACE ±		THIRD ANGLE PROJECTION		SHEET NUMBER	
0 PLACES ±		DRAWING		1 OF 3	
DRAFT WHERE APPLICABLE MUST REMAIN WITHIN DIMENSIONS		SERIES		CUSTOMER	
		A3-SIZE		GENERAL	
		503300			

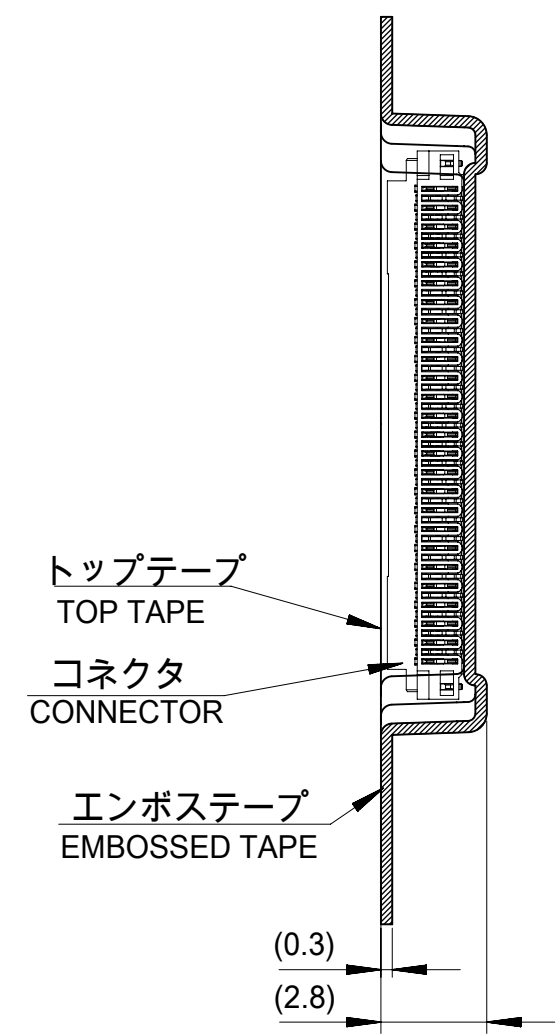
GENERAL TOLERANCES (UNLESS SPECIFIED)	
10 UNDER	±0.2
10 OVER 30 UNDER	±0.25
30 OVER	±0.3
ANGULAR	±1°
DRAFT WHERE APPLICABLE MUST REMAIN WITHIN DIMENSIONS	



16, 24mm幅キャリアテープ  
16, 24mm WIDTH CARRIER TAPE



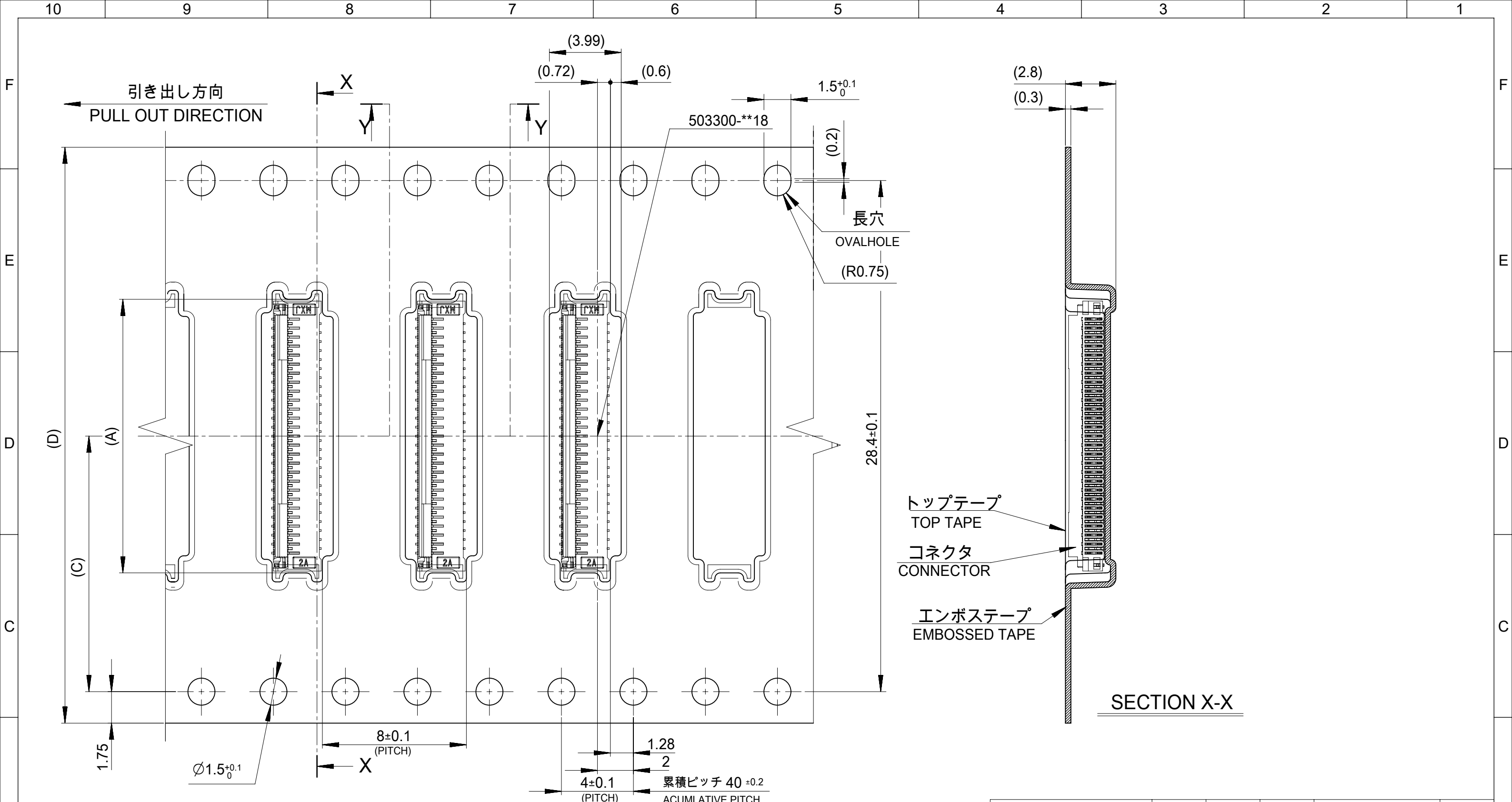
SECTION Y-Y



SECTION X-X

24	11.5	25.4	13.7	503300-4310	43
			13.2	503300-4110	41
			12.2	503300-3710	37
			10.7	503300-3110	31
			10.2	503300-2910	29
16	7.5	17.4	8.2	503300-2110	21
			7.2	503300-1710	17
(D) キャリアテープ幅 CARRIER TAPE WIDTH	(C)	B	(A)	オーダー番号 ORDER NO.	極数 CIRCUITS
CONNECTOR SERIES NO.				503300-**10	

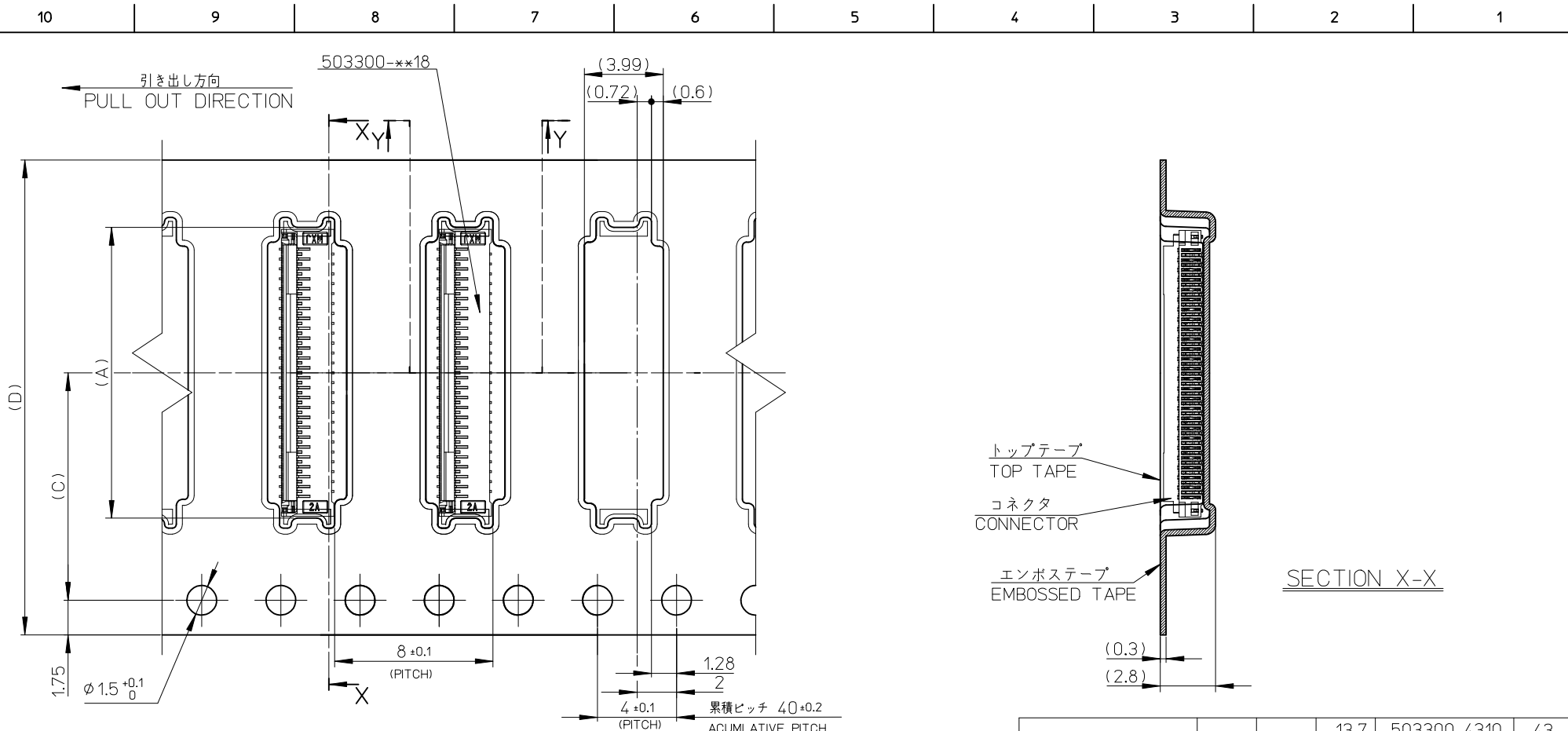
GENERAL TOLERANCES (UNLESS SPECIFIED)		DIMENSION UNITS: mm		SCALE: 1:1		CURRENT REV DESC:		<b>molex</b>	
ANGULAR TOL ± 1.0°		GENERAL TOLERANCES (UNLESS SPECIFIED)		ANGULAR TOL ± 1.0°		EC NO: 749229			
10 UNDER	±0.2	4 PLACES	± 0.2	DRWN: RAJAGN	2023/05/02	0.25MM FPC CONN. E/O H=1.2 HSG ASSY UPR EMBOSSED TAPE PACKAGE		PRODUCT CUSTOMER DRAWING	
10 OVER 30 UNDER	±0.25	3 PLACES	± 0.25	CHK'D: HSHIMOMYAMA	2023/05/11	INITIAL REVISION:		DOCUMENT NUMBER	
30 OVER	±0.3	2 PLACES	± 0.3	APPR: YNAITO	2023/05/11	DRWN: MNIITA		DOC TYPE	
ANGULAR	±1°	1 PLACE	±	APPR: SHOSHIKAWA	2010/08/24	2010/08/27		DOC PART	
DRAFT WHERE APPLICABLE MUST REMAIN WITHIN DIMENSIONS		DRAFT WHERE APPLICABLE MUST REMAIN WITHIN DIMENSIONS		THIRD ANGLE PROJECTION		DRAWING		REVISION	
				A3-SIZE		SERIES		SHEET NUMBER	
						503300		2 OF 3	



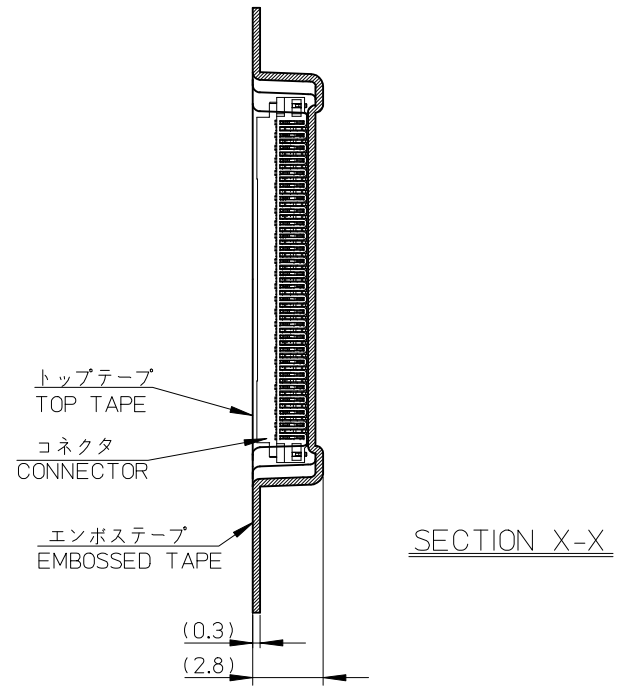
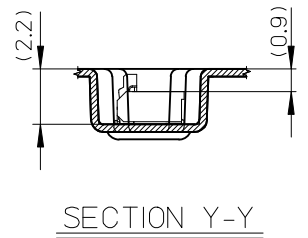
32	14.2	33.4	15.2	503300-5310	53
キャリアテープ幅 CARRIER TAPE WIDTH			(C)	B	(A)
製品番号 MATERIAL NO.			503300-**10		
MODEL NO.			503300-**10		

THIS DRAWING CONTAINS INFORMATION THAT IS PROPRIETARY TO MOLEX ELECTRONIC TECHNOLOGIES, LLC AND SHOULD NOT BE USED WITHOUT WRITTEN PERMISSION					
DIMENSION UNITS		SCALE		CURRENT REV DESC:	
mm		1:1			
GENERAL TOLERANCES (UNLESS SPECIFIED)					
ANGULAR TOL ± 1.0°					
4 PLACES ± 0.2		3 PLACES ± 0.25		2 PLACES ± 0.3	
1 PLACE ±		0 PLACES ±			
DRAFT WHERE APPLICABLE MUST REMAIN WITHIN DIMENSIONS					
DRAFT WHERE APPLICABLE MUST REMAIN WITHIN DIMENSIONS		THIRD ANGLE PROJECTION		DRAWING	
		A3-SIZE		SERIES	
		503300		MATERIAL NUMBER	
		CUSTOMER		SHEET NUMBER	
		GENERAL		3 OF 3	

GENERAL TOLERANCES (UNLESS SPECIFIED)	
10 UNDER	±0.2
10 OVER 30 UNDER	±0.25
30 OVER	±0.3
ANGULAR	±1°
DRAFT WHERE APPLICABLE MUST REMAIN WITHIN DIMENSIONS	

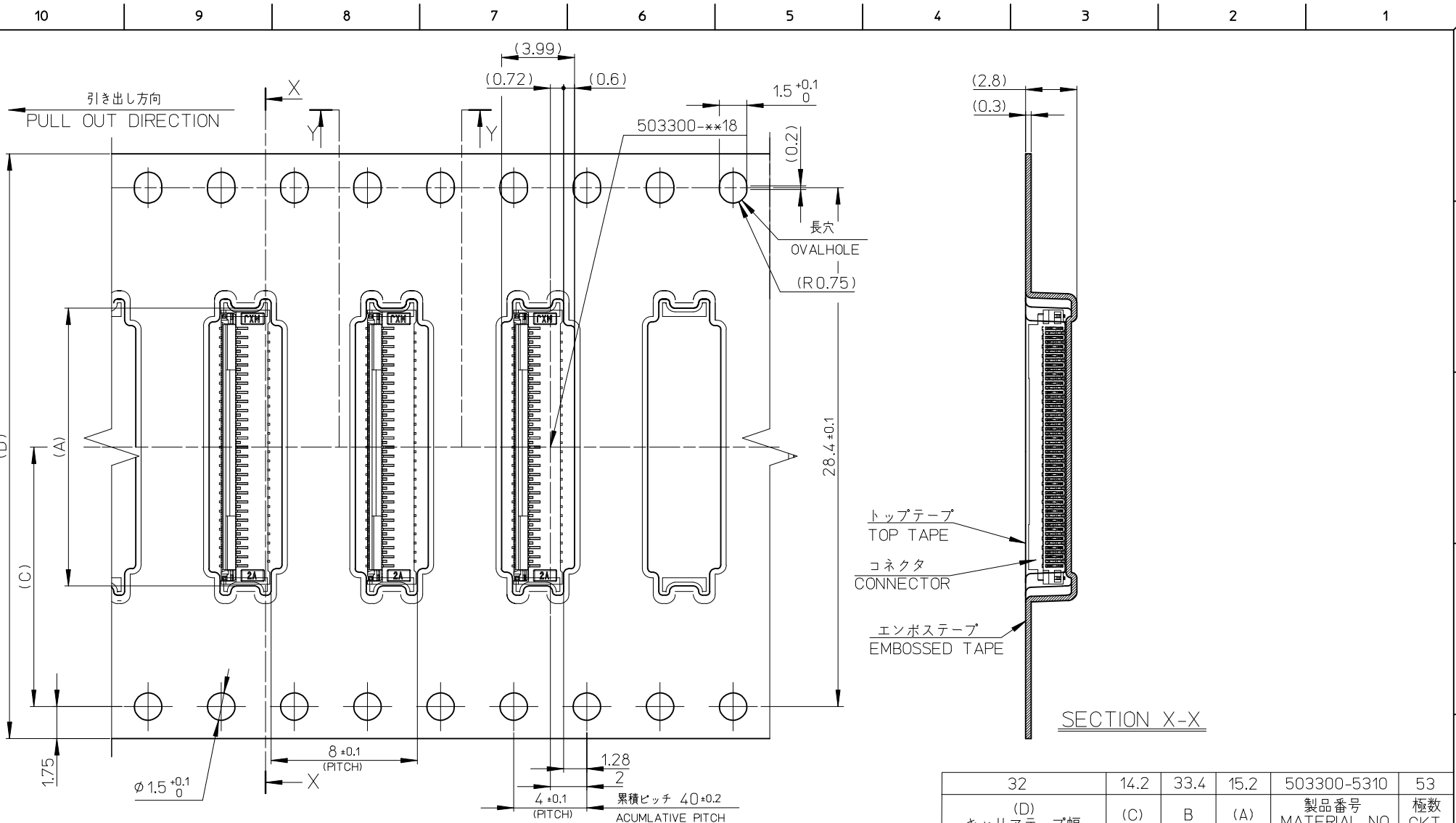


16, 24mm幅キャリアテープ  
16, 24mm WIDTH CARRIER TAPE

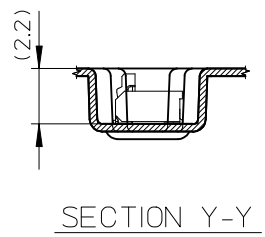


24	11.5	25.4	13.7	503300-4310	43
			13.2	503300-4110	41
			12.2	503300-3710	37
			10.7	503300-3110	31
			10.2	503300-2910	29
			8.2	503300-2110	21
(D) キャリアテープ幅 CARRIER TAPE WIDTH	(C)	B	(A)	オーダー番号 ORDER NO.	極数 CIRCUITS

REVISED EC NO: J2014-1201 DRWN: TMORISHITA 2014/01/29 CHKD: KTAHASHI 2014/01/29 APPR: YNOGAWA 2014/02/07	GENERAL TOLERANCES (UNLESS SPECIFIED)		DIMENSION STYLE MM ONLY		SCALE ---		DESIGN UNITS METRIC		THIRD ANGLE PROJECTION	
	10 UNDER	±0.2	DRAWN BY MNIITA	DATE 2010/08/24	TITLE 0.25MM FPC CONN. E/O H=1.2 HSG ASSY UPR EMBOSSD TAPE PACKAGE					
	10 OVER 30 UNDER	±0.25	CHECKED BY SHOSHIKAWA	DATE 2010/08/24	DOCUMENT NO. SD-503300-002					
	30 OVER	±0.3	APPROVED BY SHOSHIKAWA	DATE 2010/08/27						
	ANGULAR ±1 °	DRAFT WHERE APPLICABLE MUST REMAIN WITHIN DIMENSIONS		MATERIAL NO. SEE CHART		THIS DRAWING CONTAINS INFORMATION THAT IS PROPRIETARY TO MOLEX INCORPORATED AND SHOULD NOT BE USED WITHOUT WRITTEN PERMISSION				



32mm幅キャリアテープ  
32mm WIDTH CARRIER TAPE



32	14.2	33.4	15.2	503300-5310	53
(D) キャリアテープ幅 CARRIER TAPE WIDTH	(C)	B	(A)	製品番号 MATERIAL NO.	極数 CKT.
MODEL NO.				503300-**10	
DIMENSION STYLE MM ONLY		SCALE 1:1	DESIGN UNITS METRIC	THIRD ANGLE PROJECTION	

REVISED EC NO: J2014-1201 DRWN: TMORISHITA 2014/01/29 CHKD: TAKAHASHI 2014/01/29 APPR: YNOGAWA 2014/02/07	GENERAL TOLERANCES (UNLESS SPECIFIED)	
	10 UNDER	± 0.2
	10 OVER 30 UNDER	± 0.25
	30 OVER	± 0.3
ANGULAR	± 1 °	
DRAFT WHERE APPLICABLE MUST REMAIN WITHIN DIMENSIONS		

DRAWN BY MNIITA	DATE 2012/01/05	TITLE 0.25MM FPC CONN. E/O H=1.2 HSG ASSY UPR EMBOSSED TAPE PACKAGE
CHECKED BY SHOSHIKAWA	DATE 2012/01/05	<b>molex</b>
APPROVED BY SHOSHIKAWA	DATE 2012/01/05	
MATERIAL NO. SEE CHART	DOCUMENT NO. SD-503300-002	SHEET NO. 3 OF 3
THIS DRAWING CONTAINS INFORMATION THAT IS PROPRIETARY TO MOLEX INCORPORATED AND SHOULD NOT BE USED WITHOUT WRITTEN PERMISSION		