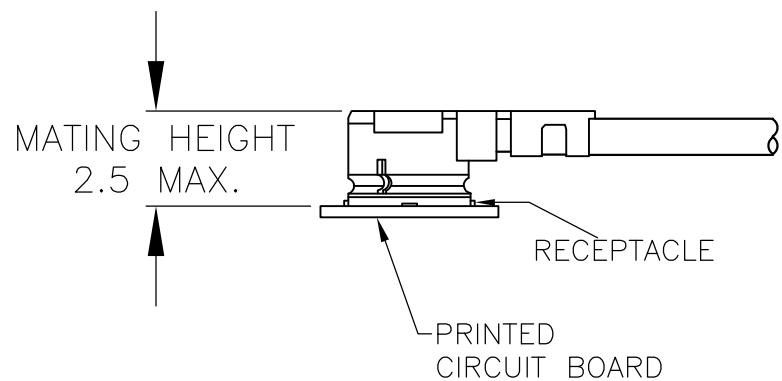
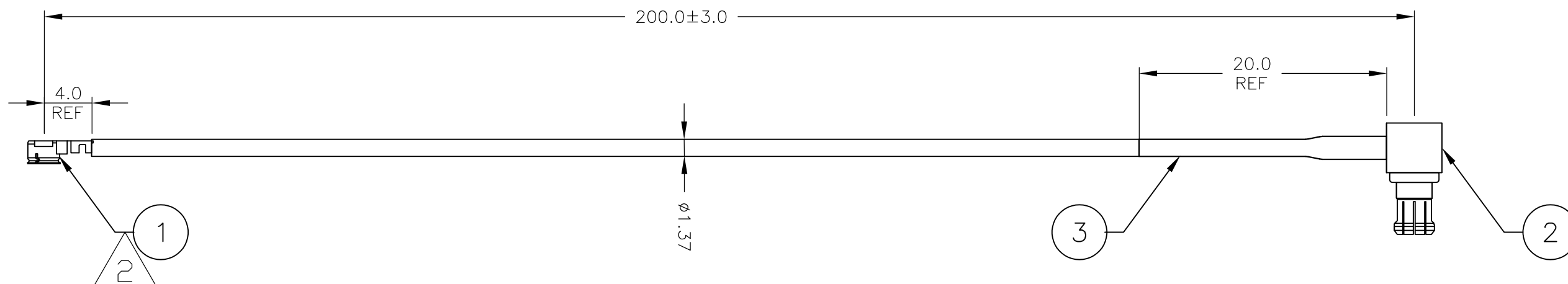


THIS DRAWING IS UNPUBLISHED. RELEASED FOR PUBLICATION
 © COPYRIGHT BY TYCO ELECTRONICS CORPORATION. ALL RIGHTS RESERVED.

LOC	DIST	REVISIONS					
GP	00	P	LTR	DESCRIPTION	DATE	DWN	APVD
			A	RELEASE PER RTS 90046	04/DEC/07	ECC	JO



1. PRODUCT AND PROCESSING MUST MEET REQUIREMENTS OF TYCO ELECTRONICS STANDARD 230-702.
2. HIROSE COMPATIBLE, 2.5 mm MATING HEIGHT. UMCC CONNECTOR, TYPE III
3. CABLE ASSEMBLY TO BE 100% ELECTRICALLY TESTED FOR OPENS, SHORTS AND CONTINUITY. HI-POT AT 150 VDC FOR 100ms VSWR: 1.5:1 MAX.



2032442-1
 TYCO ELECTRONICS P/N

A/R	MR	TUBING, HEAT SHRINK	3
1	PC	MCX, R/A, PLUG	2
1	PC	UMCC, PLUG [1.37mm CABLE]	1
-1	U/M	DESCRIPTION	ITEM

THIS DRAWING IS A CONTROLLED DOCUMENT.		DWN E. C. CLAYBAUGH 28/NOV/07	Tyco Electronics Corporation Harrisburg, PA 17105-3608	
DIMENSIONS: mm [INCHES]	TOLERANCES UNLESS OTHERWISE SPECIFIED:	CHK J. ORNER 04/DEC/07	NAME CABLE ASSY, RF, UMCC PLUG TO MCX R/A PLUG [1.37mm CABLE]	
	0 PLC ± -	APVD J. ORNER 04/DEC/07	PRODUCT SPEC	SIZE
	1 PLC ± -		APPLICATION SPEC	CAGE CODE
	2 PLC ± -			DRAWING NO
	3 PLC ± -			RESTRICTED TO
	4 PLC ± -			A300779
	ANGLES ± -			G-2032442
MATERIAL	FINISH	WEIGHT	CUSTOMER DRAWING	
-	-	-	SCALE	N.T.S.
		SHEET		1 OF 1
		REV		A