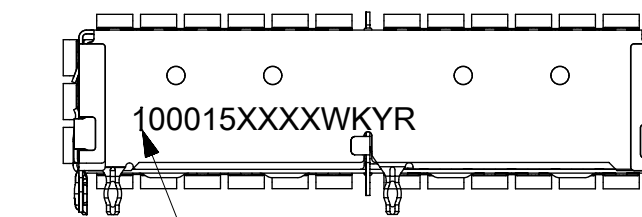
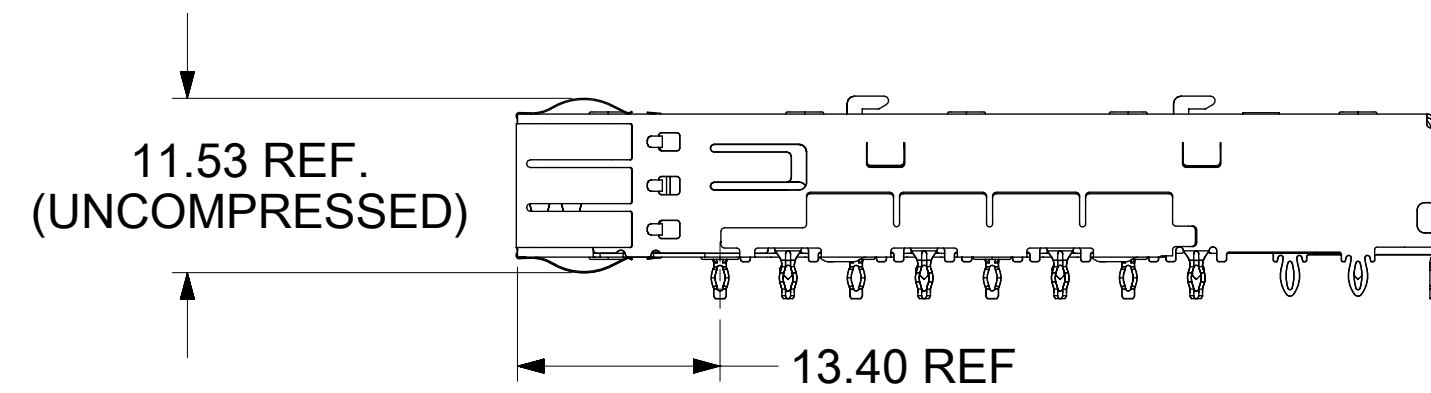
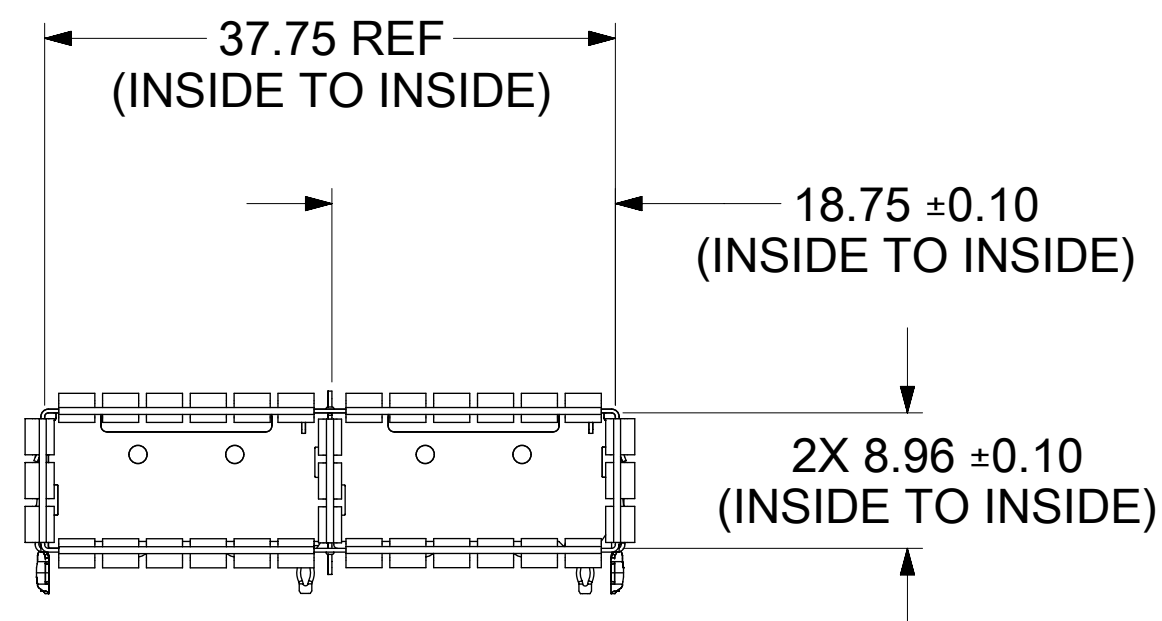
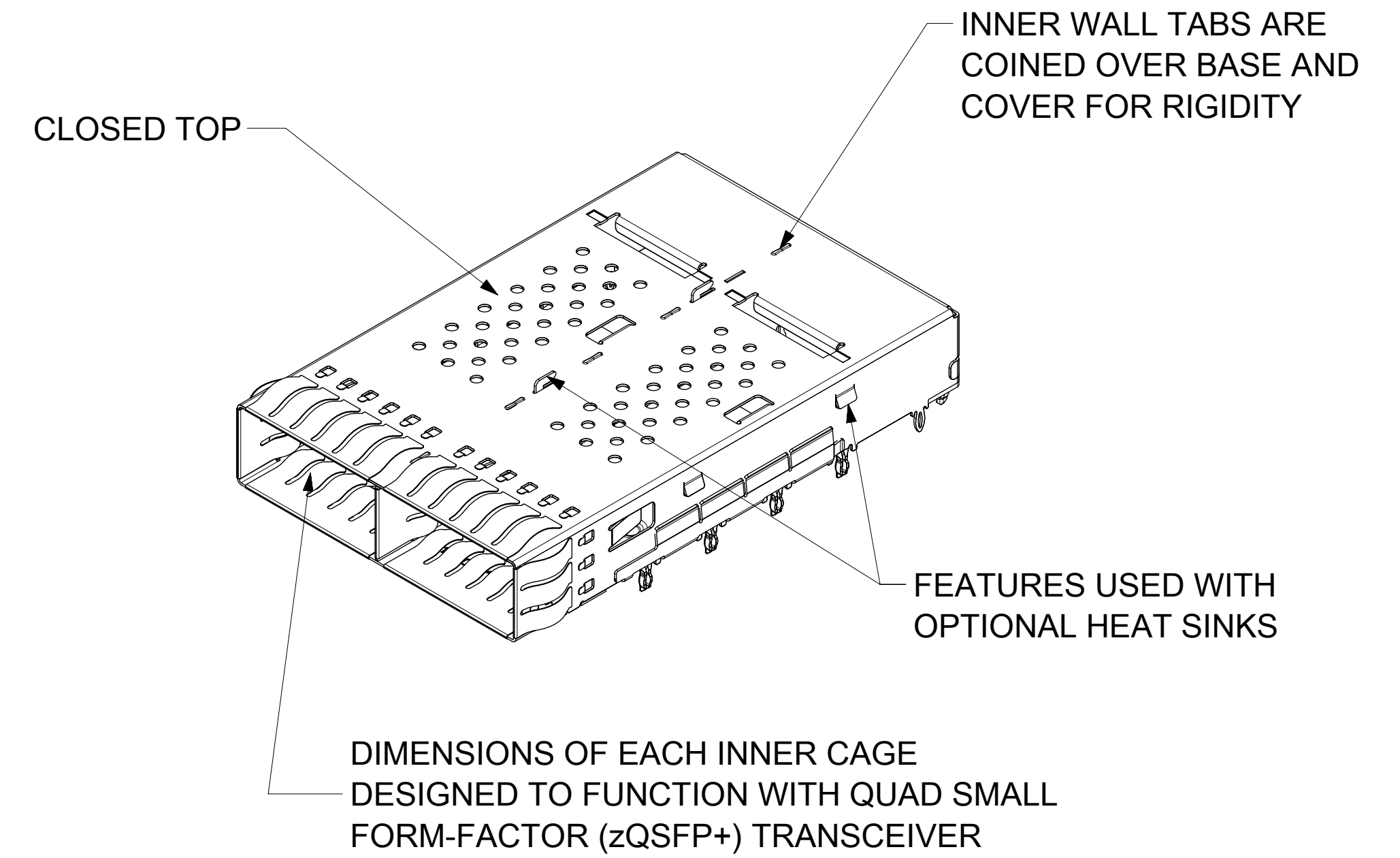
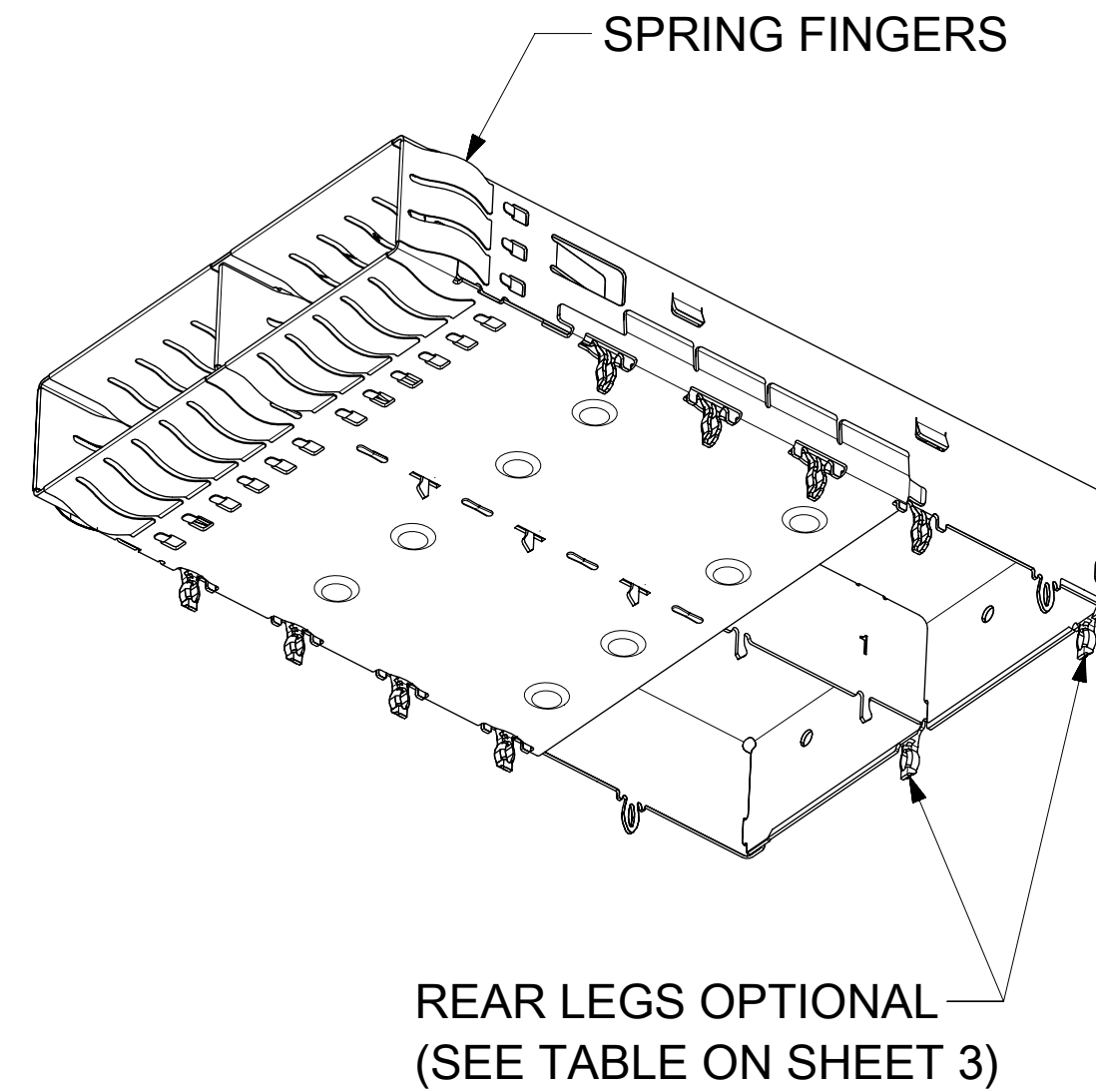
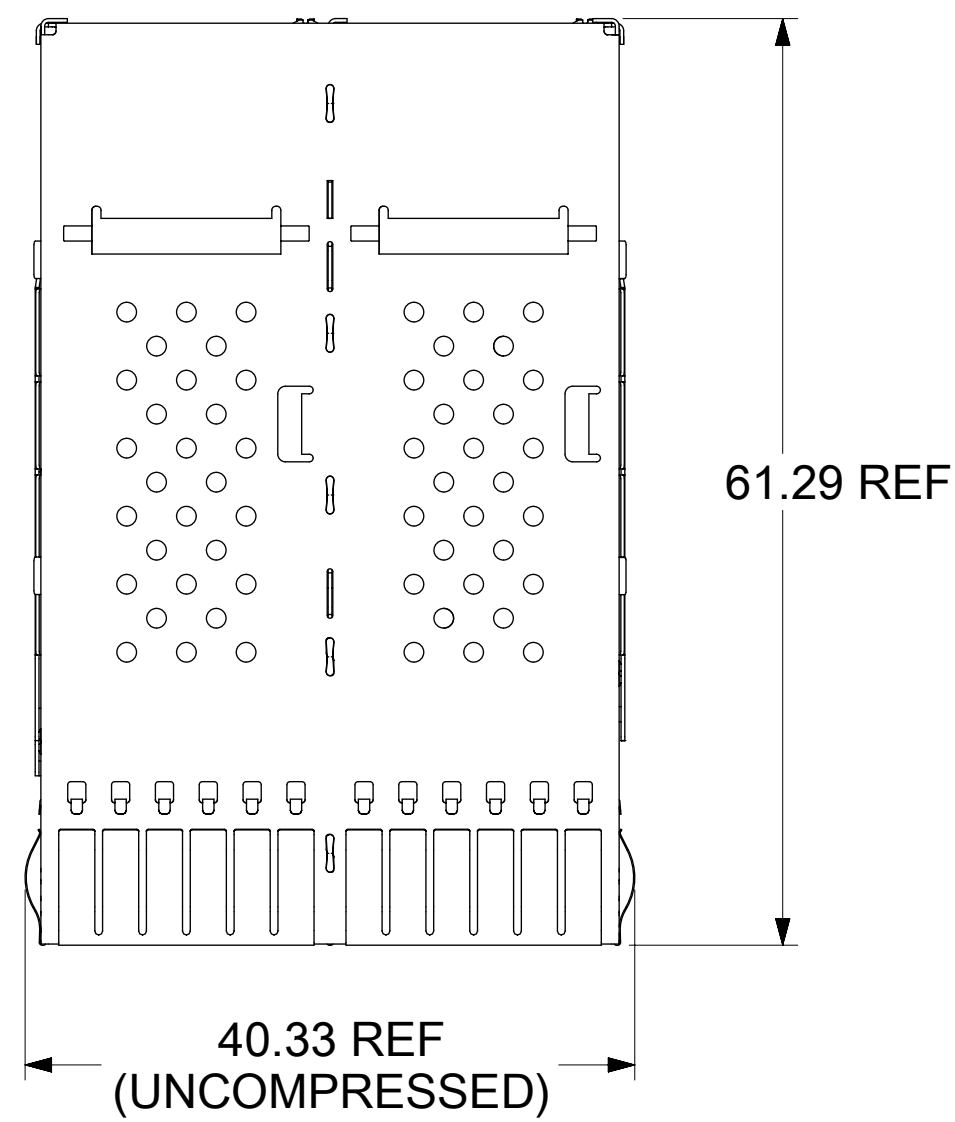


BASIC CAGE DETAILS

1000151242 SHOWN



P/N AND WEEK/YEAR DATE CODE TO BE PRINTED ON BACK OF COMPLETED CAGE ASSEMBLY APPROXIMATELY AS SHOWN. SEE TABLE BELOW FOR DATE CODE INFORMATION.

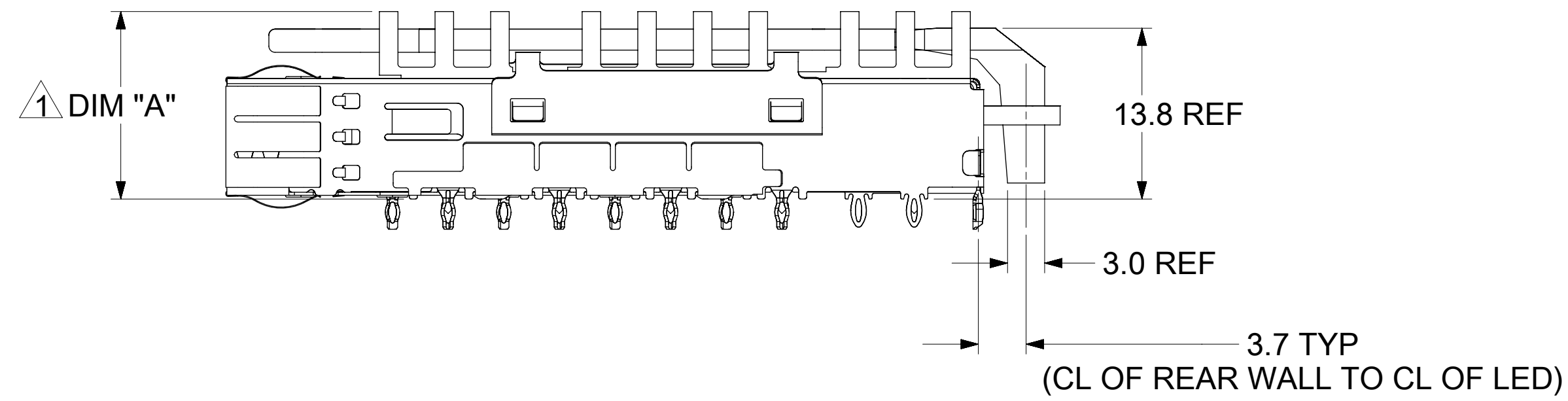
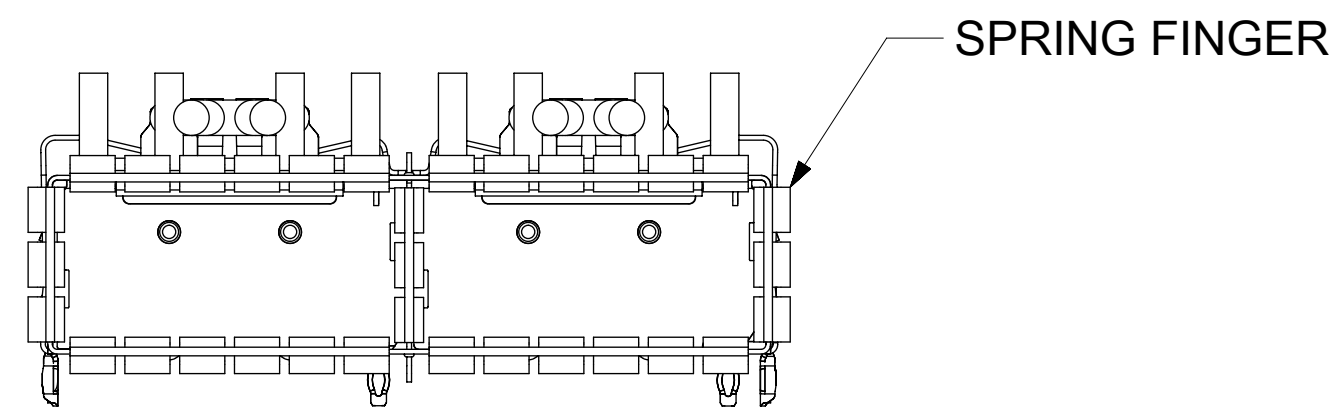
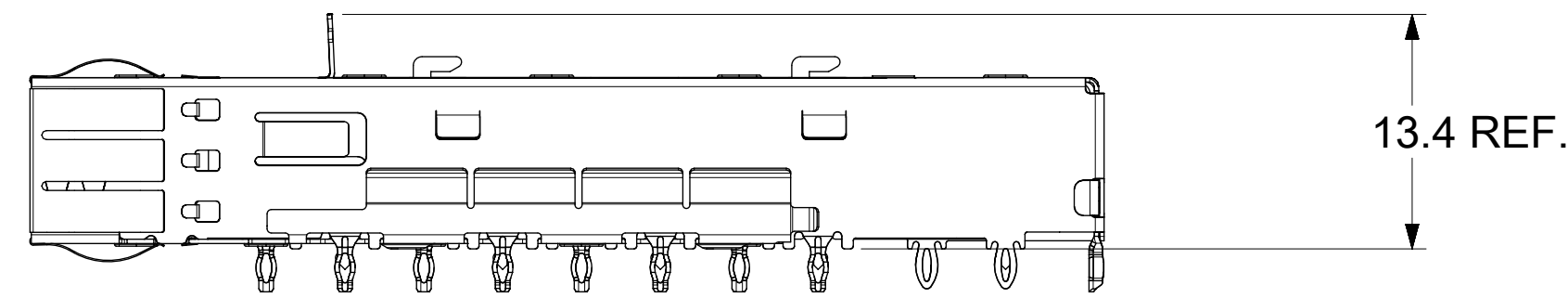
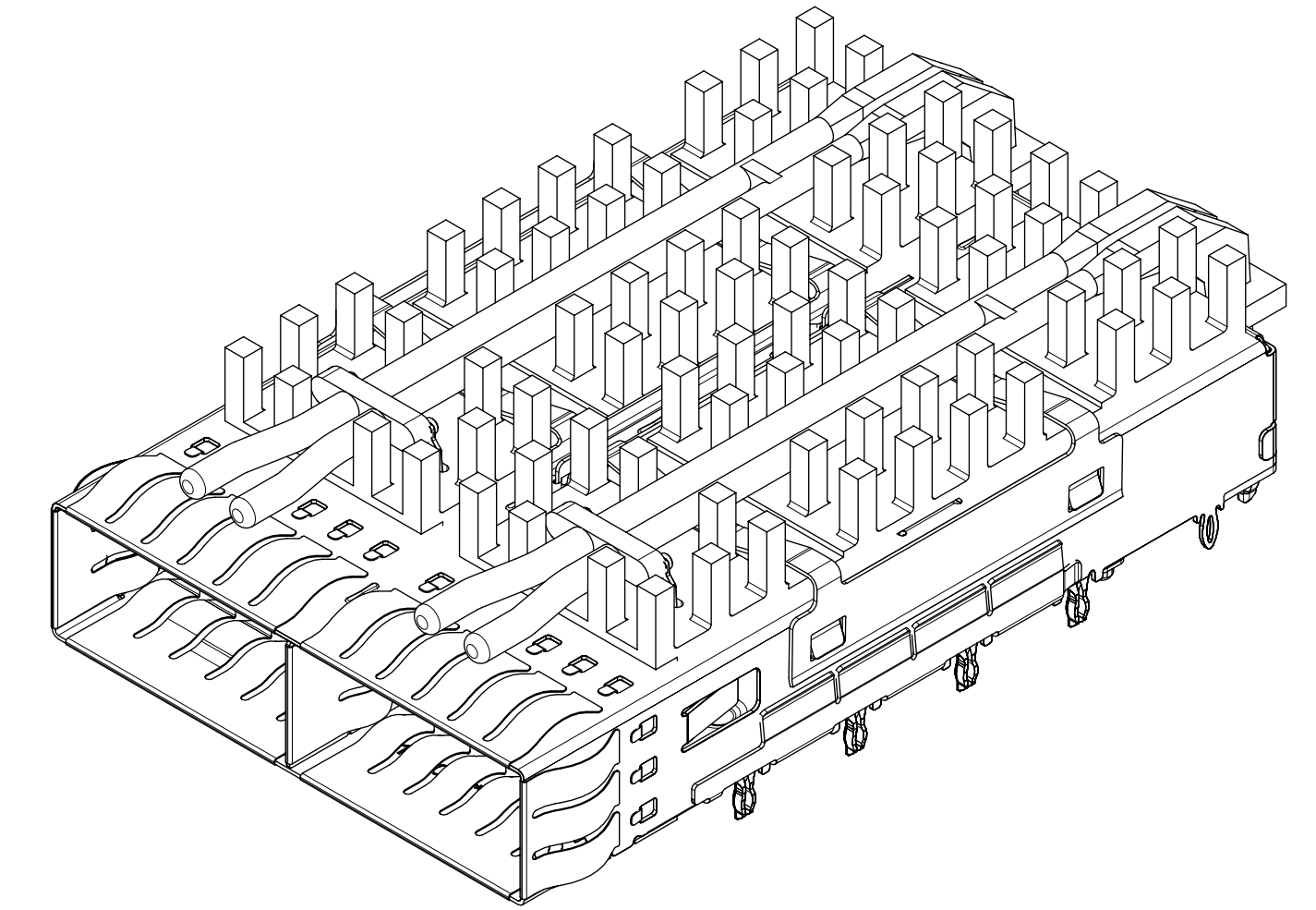
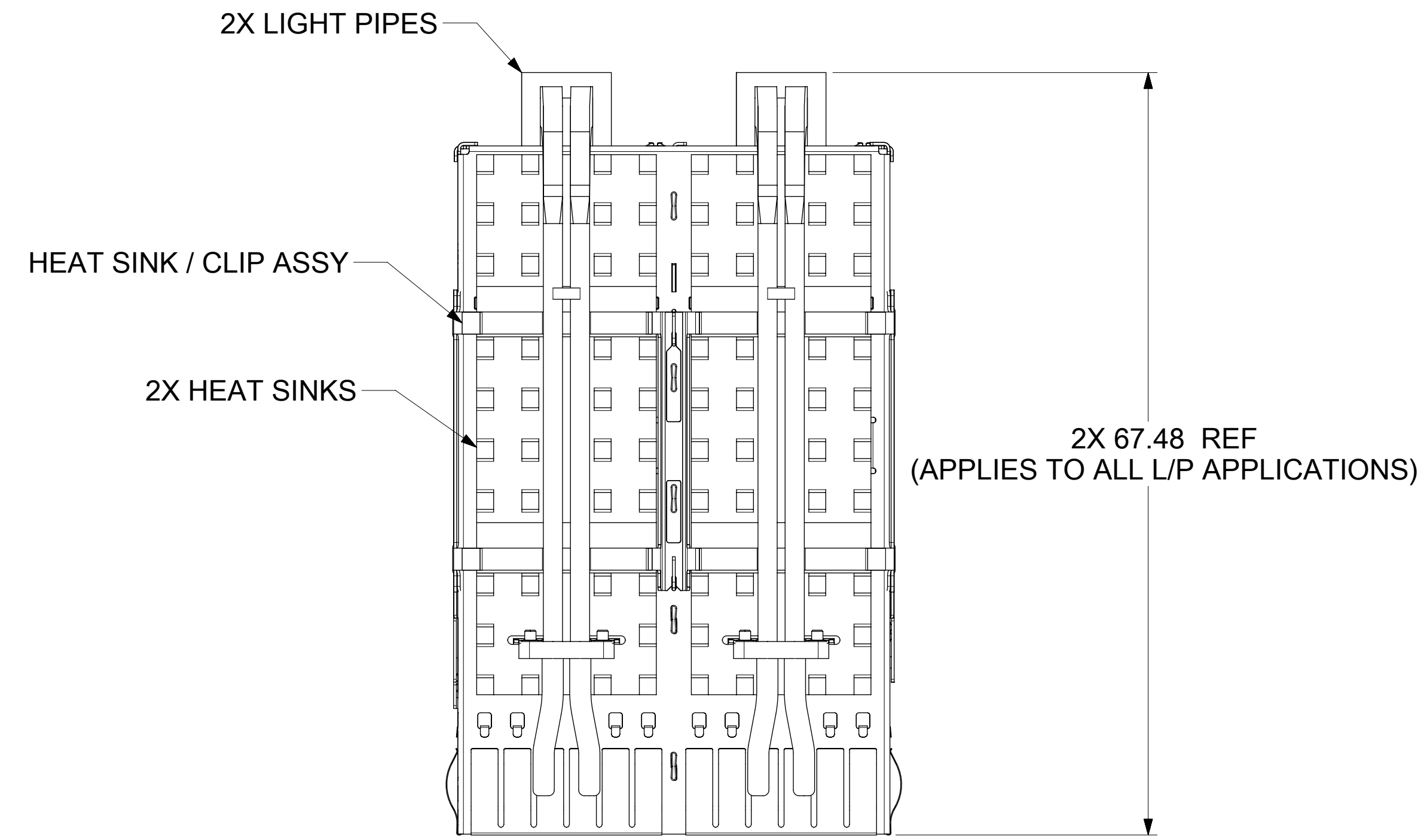
WEEK/YEAR DATE CODE TABLE	
WK	WEEK OF THE YEAR 01 THRU 52 (EXAMPLE: 01= FIRST WEEK OF YEAR 52= LAST WEEK OF YEAR)
YR	21, 22, 23 ETC.. (EXAMPLE: YEAR 2021= 21)

- NOTES:
- MATERIAL: CAGE: STAINLESS STEEL
CENTER WALLS: STAINLESS STEEL
SPRING FINGERS: COPPER ALLOY; NICKEL PLATED
HEAT SINKS: NICKEL PLATED ALUMINUM
HEAT SINK CLIP: STAINLESS STEEL
LIGHT PIPES: POLYCARBONATE (UL 94V-0)
 - DRAWING APPLIES TO ALL P/N'S SHOWN ON PAGE 3
 - DURING FINAL INSPECTION, CAGE LEG LOCATIONS AND STRAIGHTNESS MUST BE CHECKED USING APPROPRIATE GO - NO GO GAGE
 - DURING FINAL INSPECTION, CAGE MUST BE INSPECTED TO MAKE SURE LEG CONFIGURATIONS AND PART NUMBERS ARE CORRECT, USE SHEETS 3, 4 AND 5
 - PARTS TO BE INSPECTED PER MOLEX COSMETIC SPEC WI-HP-7-2774 (CLASS B UNLESS OTHERWISE SPECIFIED)
 - PRESS-FIT LEGS 2.44 LONG -
1.57 MINIMUM PCB THICKNESS FOR SINGLE SIDED USE.
2.70 MINIMUM PCB THICKNESS FOR BELLY TO BELLY USE.
 - NO RoHS EXEMPTIONS

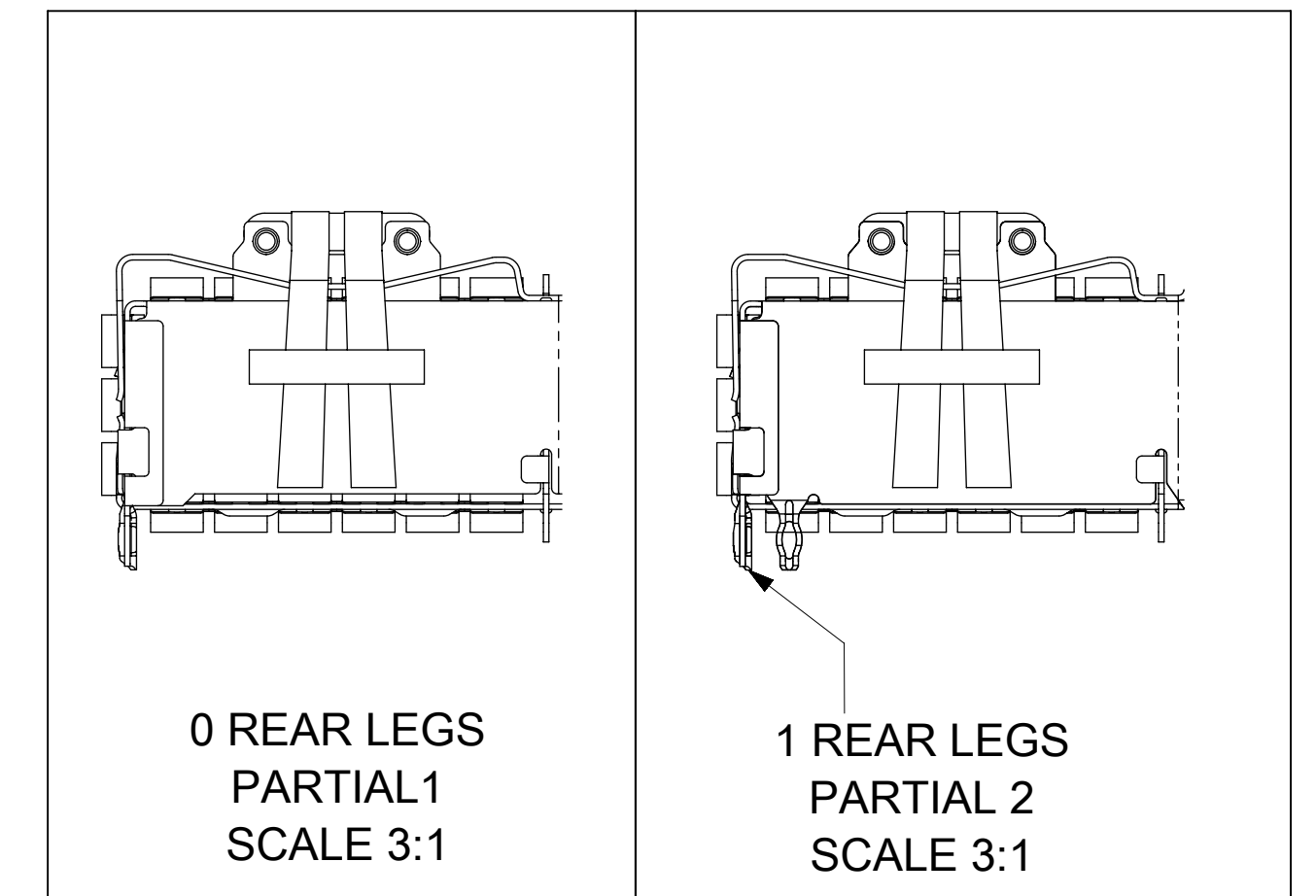
FUNCTIONAL SYMBOLS	THIS DRAWING CONTAINS INFORMATION THAT IS PROPRIETARY TO MOLEX ELECTRONIC TECHNOLOGIES, LLC AND SHOULD NOT BE USED WITHOUT WRITTEN PERMISSION		CURRENT REV DESC:		molex				
$F_A = 0$	DIMENSION UNITS	SCALE	EC NO: 690611 DRWN: DKUMARG 2021/12/30 CHK'D: AMRUTH 2021/12/31 APPR: JCHIANG 2022/01/03 INITIAL REVISION: DRWN: TKUMARKC 2015/11/27 APPR: RCHEN08 2015/12/18		ZQSFP+ 1X2 GANGED CAGE ASSY'S (SPRING FINGER) WITH H/S & L/P OPTIONS				
$F_C = 0$	mm	2:1			GENERAL TOLERANCES (UNLESS SPECIFIED)				
$F_P = 0$	ANGULAR TOL $\pm 2.0^\circ$				PRODUCT CUSTOMER DRAWING				
DIVISIONAL SYMBOLS	4 PLACES \pm	3 PLACES \pm			DOCUMENT NUMBER		DOC TYPE	DOC PART	REVISION
	2 PLACES ± 0.13	1 PLACE ± 0.25			1000151200		PSD	ASY	J2
	0 PLACES \pm		SEE P/N TABLE		GENERAL MARKET		SHEET NUMBER		
	DRAFT WHERE APPLICABLE MUST REMAIN WITHIN DIMENSIONS		THIRD ANGLE PROJECTION	DRAWING	SERIES	1 OF 8			

CAGE ASSEMBLY OPTIONS

1000151544 SHOWN



REAR LEG OPTIONS

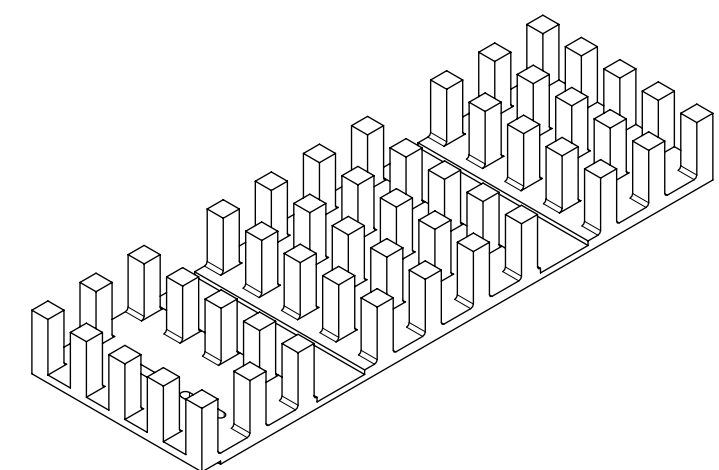


HEATSINK HEIGHT OPTIONS

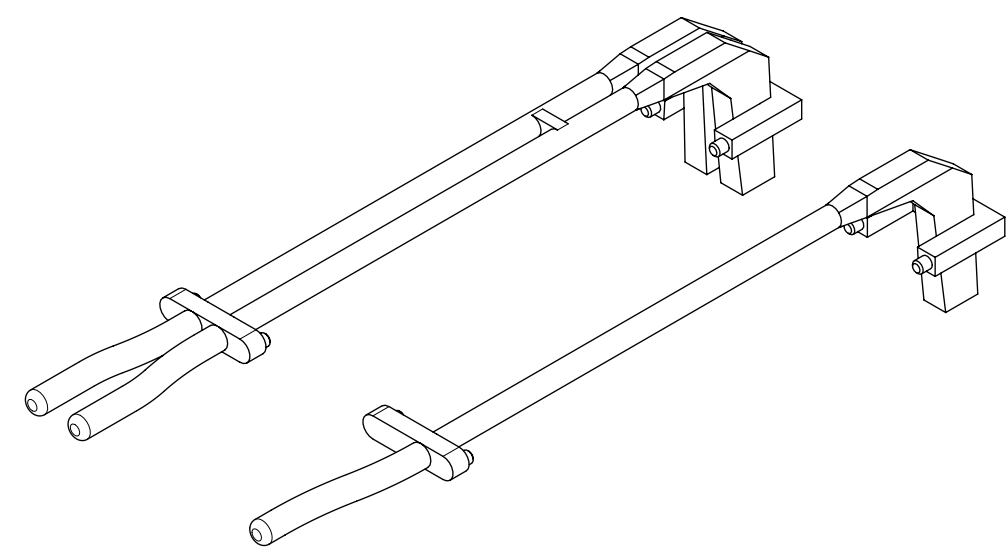
OVERALL HEAT SINK HEIGHT	DIM "A"
PCI	13.7 REF
SAN	16.0 REF
NET	23.0 REF

NOTE:
 △ HEIGHT OF HEAT SINK WITH MODULE INSERTED.
 DIMENSION MAY BE LESS DUE TO MODULE AND HEAT SINK VARIATIONS

HEATSINK
USED
WITHOUT
LIGHTPIPE

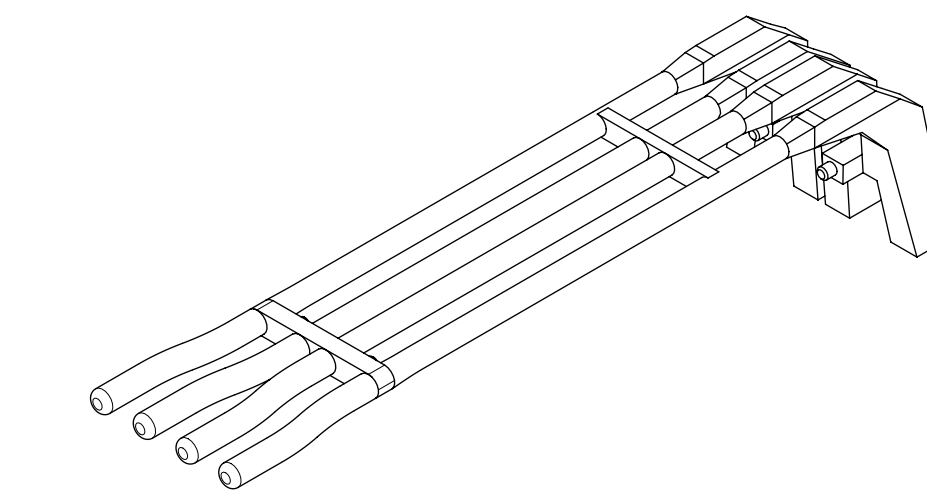


SINGLE / DUAL LIGHT PIPE



HEATSINK

QUAD LIGHT PIPE



HEATSINK

FUNCTIONAL SYMBOLS FA = 0 FE = 0 FP = 0 DIVISIONAL SYMBOLS	THIS DRAWING CONTAINS INFORMATION THAT IS PROPRIETARY TO MOLEX ELECTRONIC TECHNOLOGIES, LLC AND SHOULD NOT BE USED WITHOUT WRITTEN PERMISSION		CURRENT REV DESC:	
	DIMENSION UNITS	SCALE		
	mm	2:1		
	GENERAL TOLERANCES (UNLESS SPECIFIED)			
ANGULAR TOL ± 2.0°				
4 PLACES	±	EC NO: 690611	2021/12/30	
3 PLACES	±	DRWN: DKUMARG	2021/12/31	
2 PLACES	± 0.13	CHK'D: AMRUTH	2022/01/03	
1 PLACE	± 0.25	APPR: JCHIANG		
0 PLACES	±	INITIAL REVISION:		
DRAFT WHERE APPLICABLE MUST REMAIN WITHIN DIMENSIONS		DRWN: TKUMARKC	2015/11/27	
THIRD ANGLE PROJECTION		APPR: RCHEN08	2015/12/18	
DRAWING		SERIES	MATERIAL NUMBER	
D-SIZE		100015	1000151200	
CUSTOMER		GENERAL MARKET		
SHEET NUMBER		2 OF 8		

molex

ZQSFP+ 1X2 GANGED CAGE
ASSY'S (SPRING FINGER) WITH H/S & L/P OPTIONS

PRODUCT CUSTOMER DRAWING

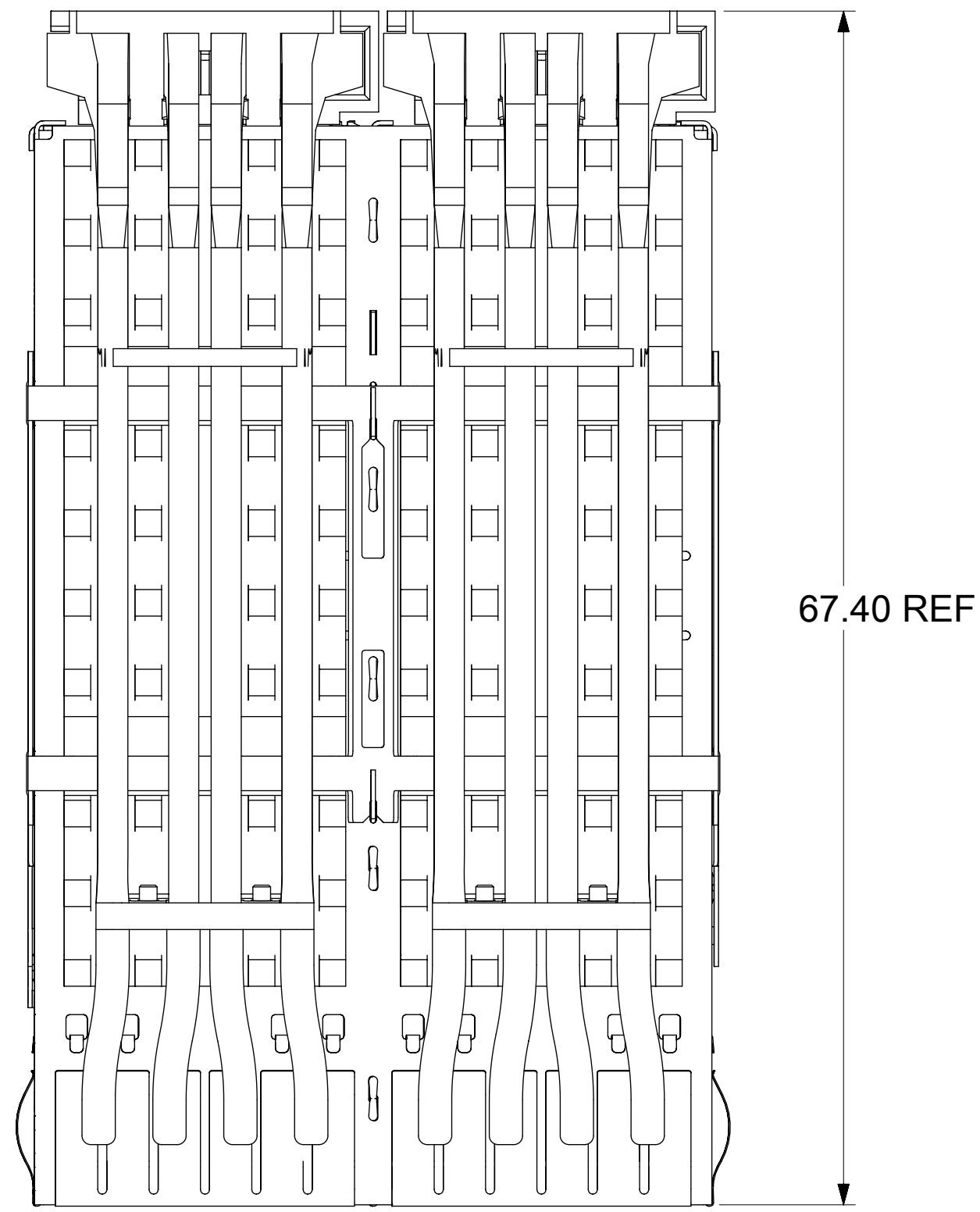
DOCUMENT NUMBER DOC TYPE DOC PART REVISION

1000151200 PSD ASY J2

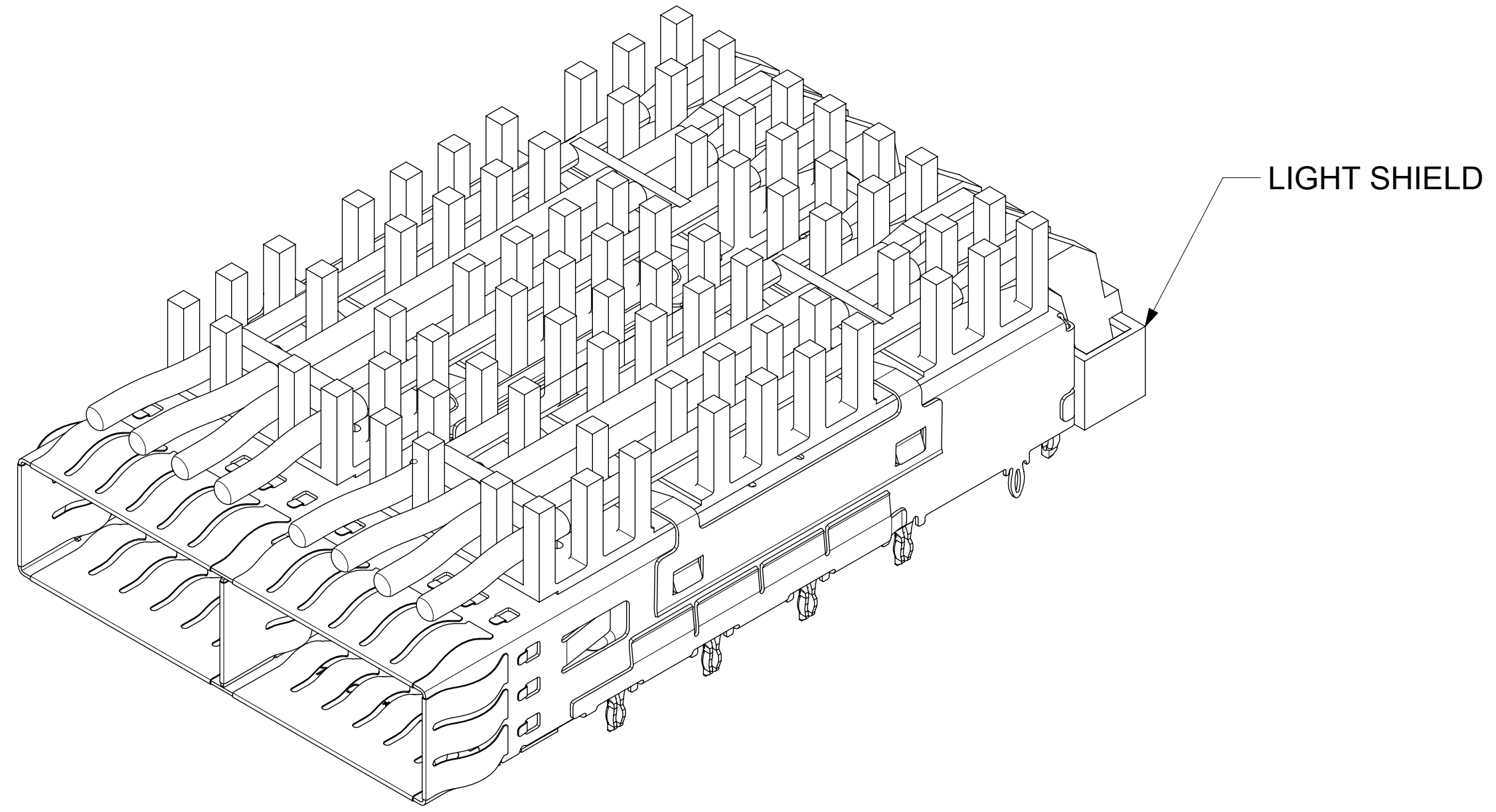
CAGE ASSEMBLY WITH LIGHT SHIELD

1000151901

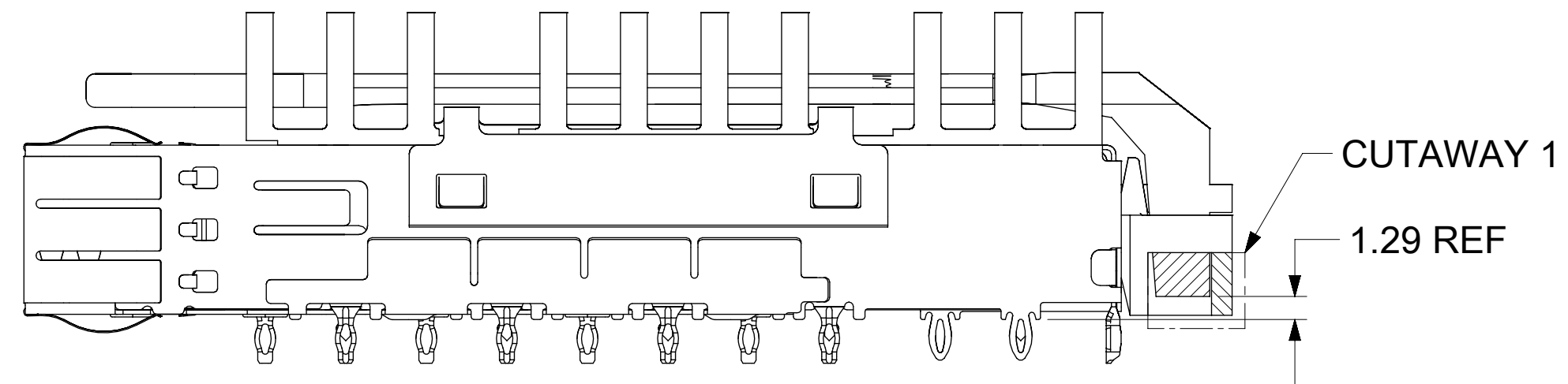
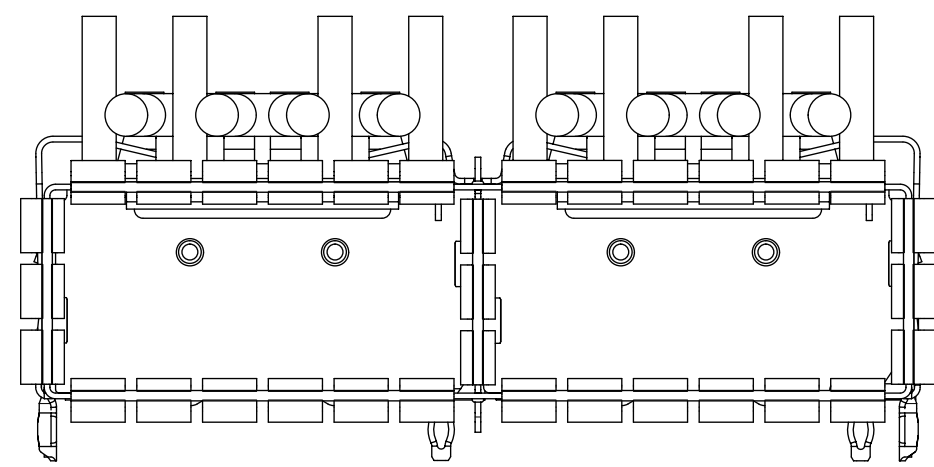
SHOWN



67.40 REF



LIGHT SHIELD



CUTAWAY 1

1.29 REF

FUNCTIONAL SYMBOLS	THIS DRAWING CONTAINS INFORMATION THAT IS PROPRIETARY TO MOLEX ELECTRONIC TECHNOLOGIES, LLC AND SHOULD NOT BE USED WITHOUT WRITTEN PERMISSION		
	DIMENSION UNITS	SCALE	CURRENT REV DESC:
$\nabla_A = 0$	mm	3:1	
$\nabla_C = 0$	GENERAL TOLERANCES (UNLESS SPECIFIED)		
$\nabla_D = 0$	ANGULAR TOL $\pm 2.0^\circ$		
DIVISIONAL SYMBOLS	4 PLACES	\pm	EC NO: 690611
	3 PLACES	\pm	DRWN: DKUMARG 2021/12/30
	2 PLACES	± 0.13	CHK'D: AMRUTH 2021/12/31
	1 PLACE	± 0.25	APPR: JCHIANG 2022/01/03
	0 PLACES	\pm	INITIAL REVISION: DRWN: TKUMARKC 2015/11/27 APPR: RCHEN08 2015/12/18
DRAFT WHERE APPLICABLE MUST REMAIN WITHIN DIMENSIONS		THIRD ANGLE PROJECTION	DRAWING SERIES MATERIAL NUMBER CUSTOMER SHEET NUMBER
			D-SIZE 100015 SEE P/N TABLE GENERAL MARKET 3 OF 8

molex

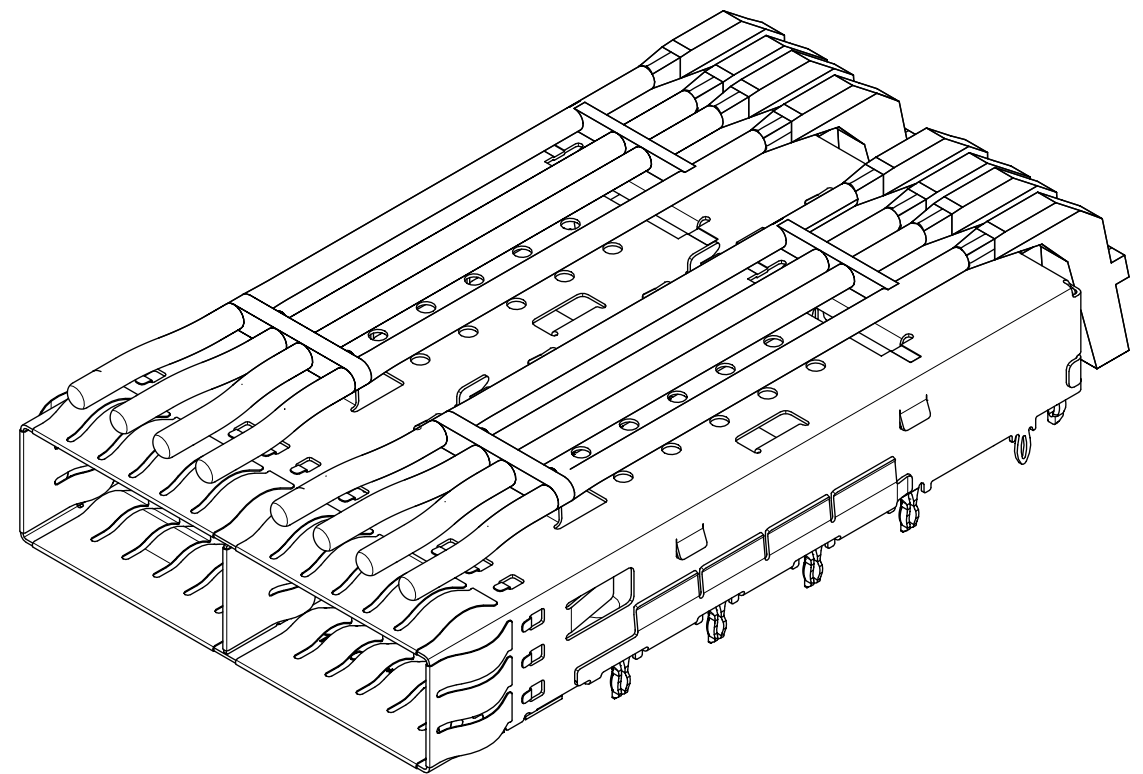
ZQSFP+ 1X2 GANGED CAGE ASSY'S (SPRING FINGER) WITH H/S & L/P OPTIONS

PRODUCT CUSTOMER DRAWING

DOCUMENT NUMBER	DOC TYPE	DOC PART	REVISION
1000151200	PSD	ASY	J2

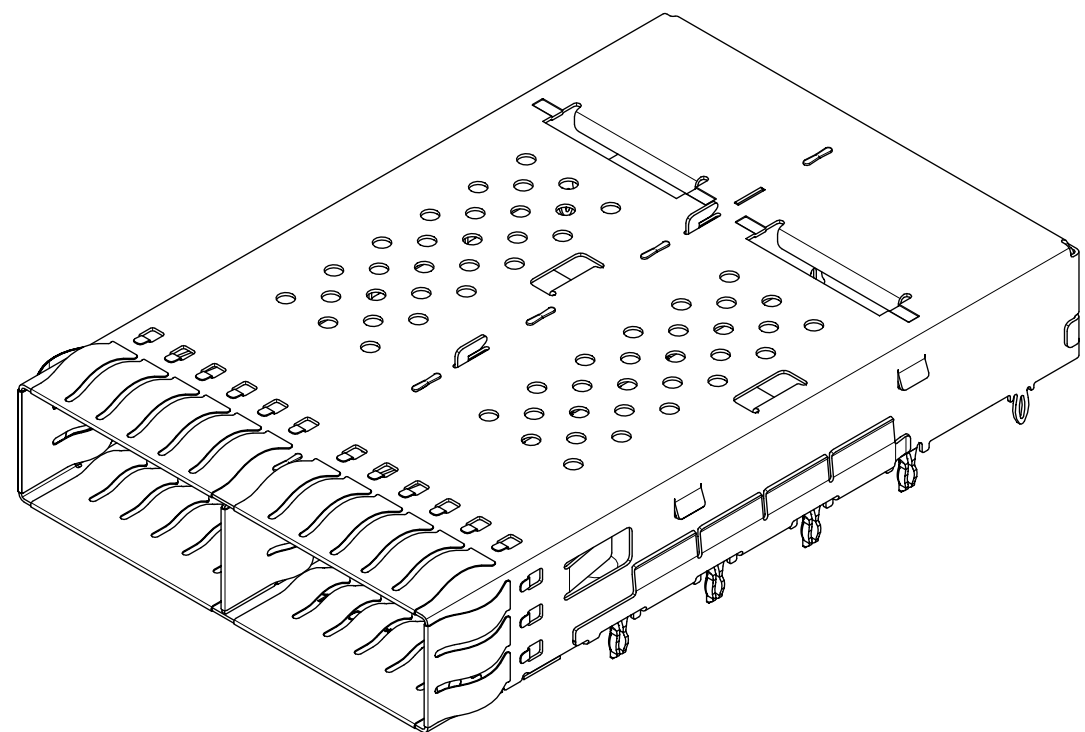
PART NUMBER SELECTION

NO HEATSINKS
WITH LIGHT PIPES
CLOSED TOP



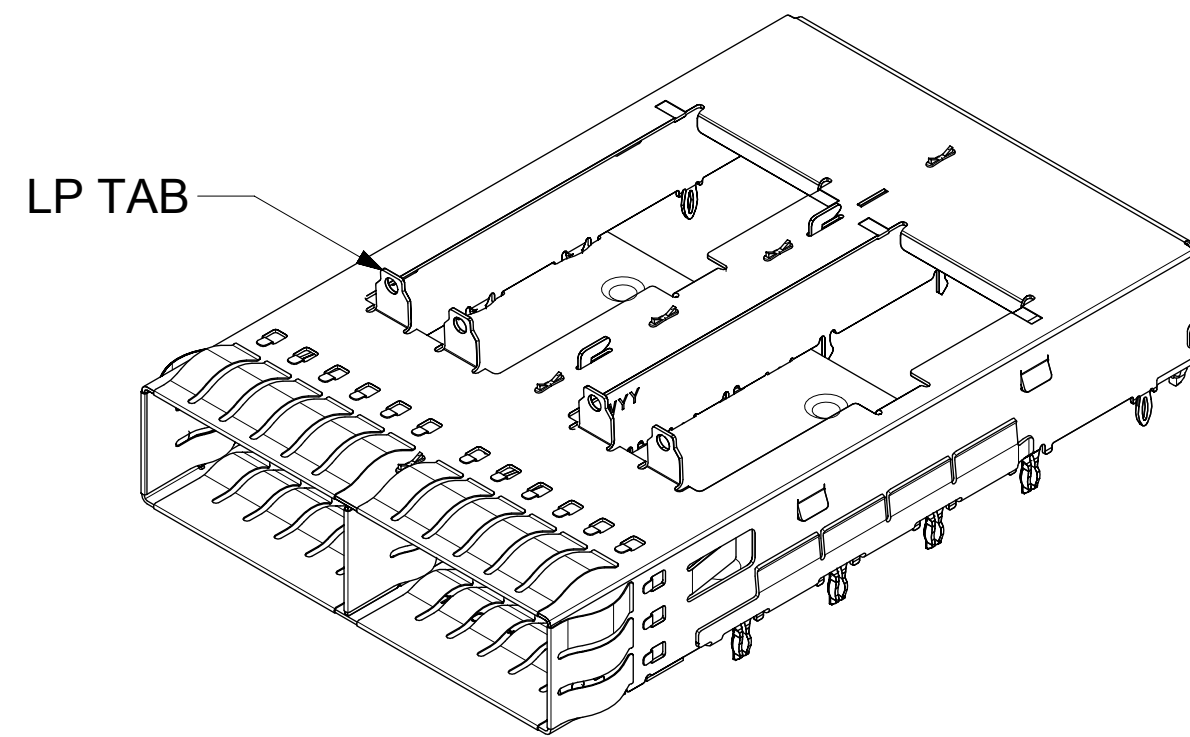
MOLEX P/N	LIGHT PIPES	#OF REAR LEGS PER PORT
1000151231	SINGLE	0
1000151232	SINGLE	1
1000151233	DUAL	0
1000151234	DUAL	1
1000151235	QUAD	0
1000151236	QUAD	1

NO HEATSINKS
NO LIGHT PIPES
CLOSED TOP



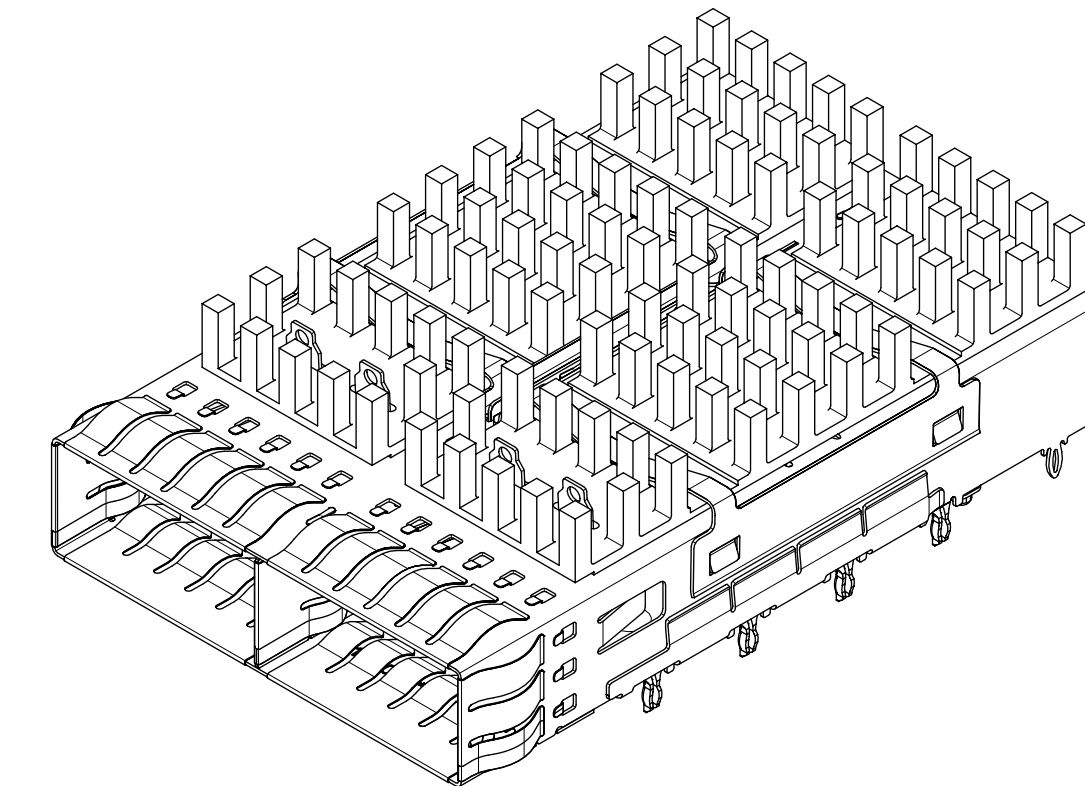
MOLEX P/N W/ SPRING FINGERS	#OF REAR LEGS PER PORT
1000151242	1

NO HEATSINKS
NO LIGHT PIPES
OPEN TOP



MOLEX P/N W/ SPRING FINGERS	#OF REAR LEGS PER PORT	LP TAB
1000151250	0	YES
1000151252	1	YES

WITH HEATSINKS
NO LIGHT PIPES

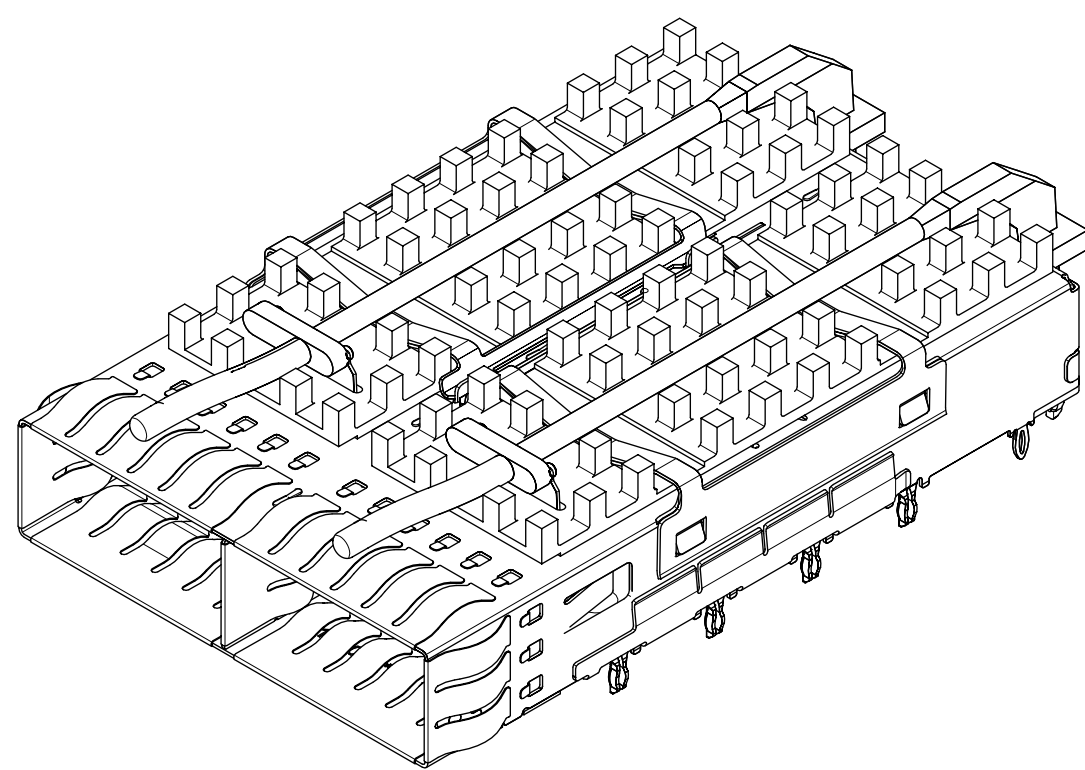


MOLEX P/N	HEAT SINK	#OF REAR LEGS PER PORT
1000151340	PCI	0
1000151341	SAN	0
1000151342	NET	0
1000151343	PCI	1
1000151344	SAN	1
1000151345	NET	1

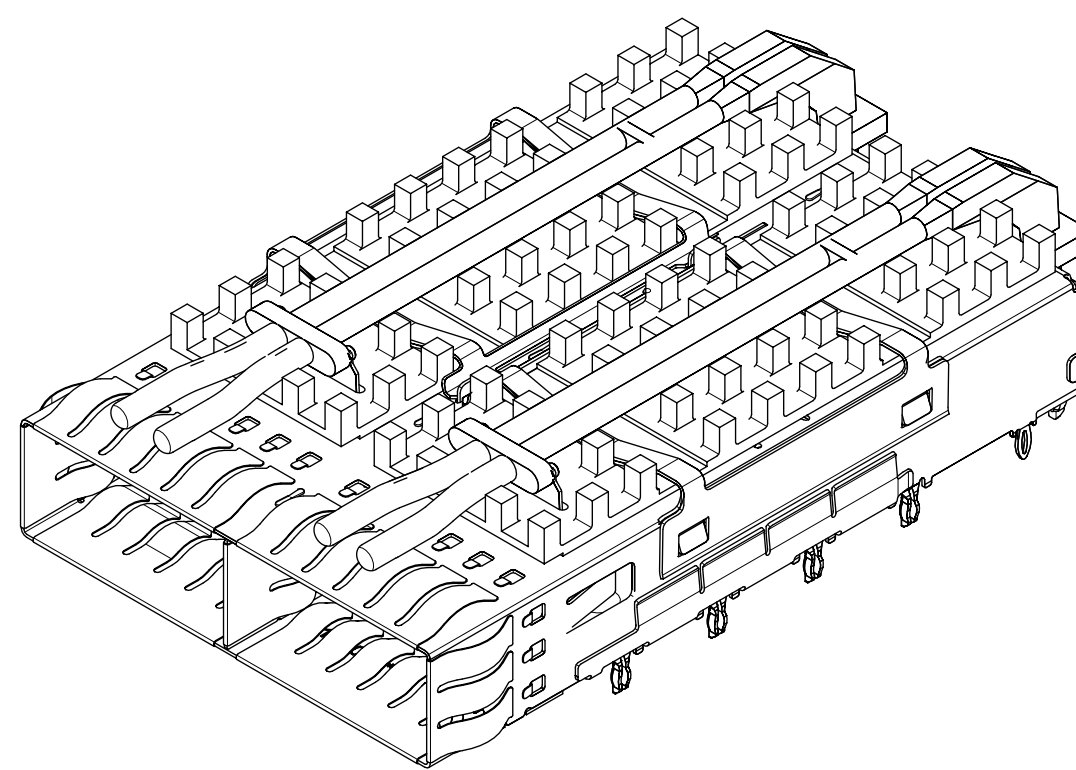
WITH HEATSINKS AND LIGHT PIPES

MOLEX P/N	LIGHTPIPES	HEATSINKS	#OF REAR LEGS PER PORT	LP SHIELD
1000151440	SINGLE	PCI	0	0
1000151442	SINGLE	NET	0	0
1000151443	DUAL	PCI	0	0
1000151444	DUAL	SAN	0	0
1000151445	DUAL	NET	0	0
1000151446	QUAD	PCI	0	0
1000151447	QUAD	SAN	0	0
1000151448	QUAD	NET	0	0
1000151540	SINGLE	PCI	1	0
1000151541	SINGLE	SAN	1	0
1000151543	DUAL	PCI	1	0
1000151544	DUAL	SAN	1	0
1000151545	DUAL	NET	1	0
1000151546	QUAD	PCI	1	0
1000151547	QUAD	SAN	1	0
1000151548	QUAD	NET	1	0
1000151901	QUAD	CUSTOM (A=18.0 REF)	0	2

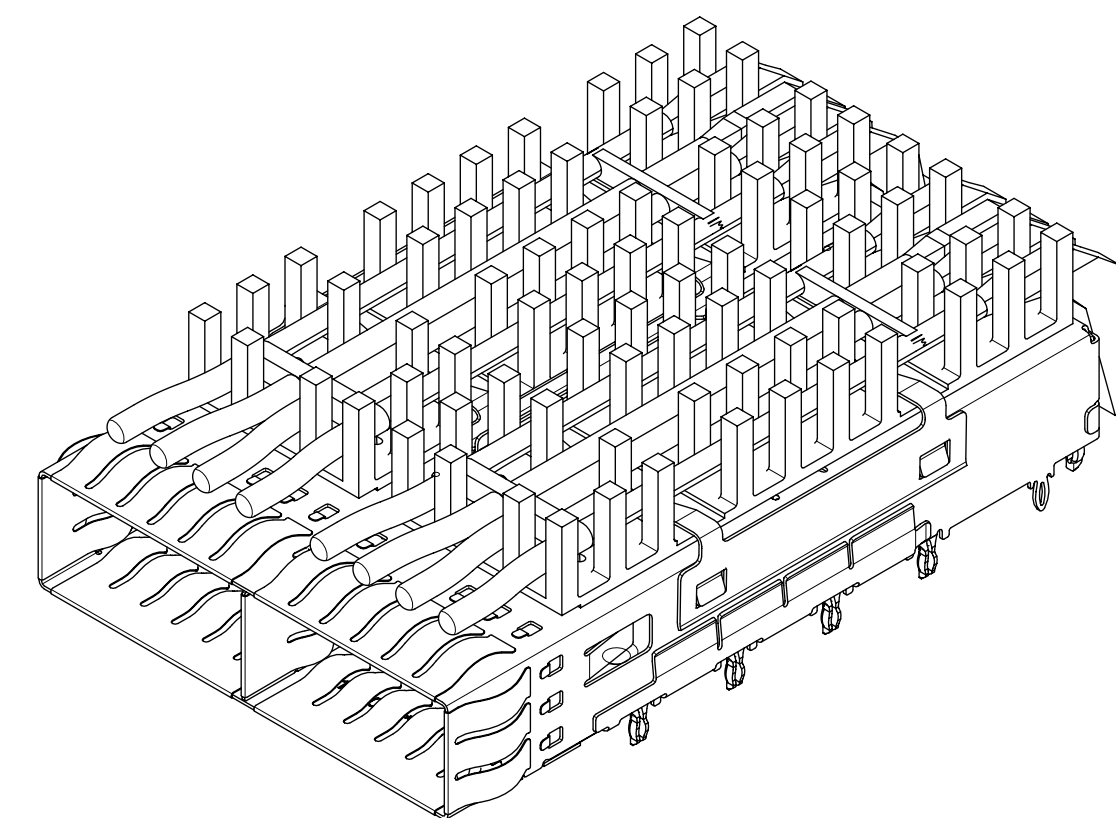
SINGLE LIGHT PIPE



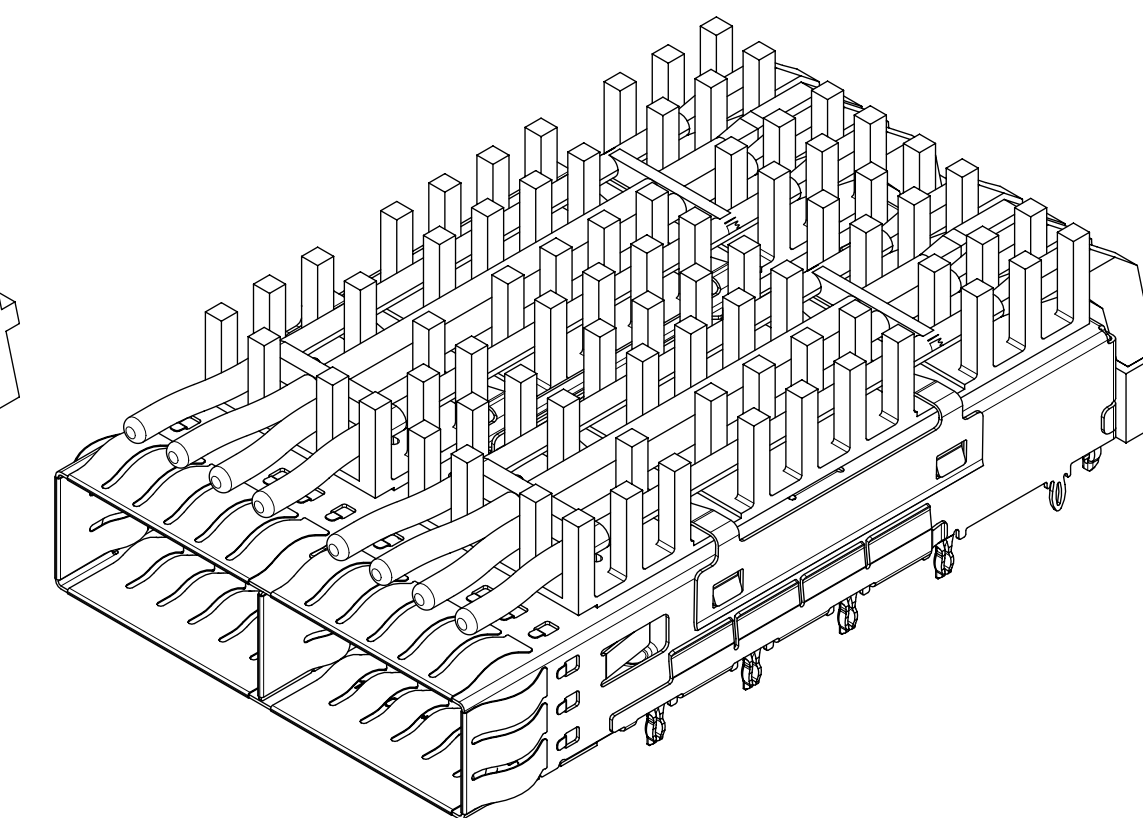
DUAL LIGHT PIPE



QUAD LIGHT PIPE



QUAD LIGHT PIPE
WITH LIGHT SHIELD



FUNCTIONAL SYMBOLS FA = 0 FE = 0 FP = 0	THIS DRAWING CONTAINS INFORMATION THAT IS PROPRIETARY TO MOLEX ELECTRONIC TECHNOLOGIES, LLC AND SHOULD NOT BE USED WITHOUT WRITTEN PERMISSION		CURRENT REV DESC:		
	DIMENSION UNITS mm	SCALE 2:1			
DIVISIONAL SYMBOLS	GENERAL TOLERANCES (UNLESS SPECIFIED)		EC NO: 690611		
	ANGULAR TOL ± 2.0°		DRWN: DKUMARG 2021/12/30		
	4 PLACES ±	CHK'D: AMRUTH 2021/12/31			
	3 PLACES ±	APPR: JCHIANG 2022/01/03			
	2 PLACES ± 0.13	INITIAL REVISION:			
1 PLACE ± 0.25	DRWN: TKUMARKC 2015/11/27		DOCUMENT NUMBER		
0 PLACES ±	APPR: RCHEN08 2015/12/18		DOC TYPE DOC PART REVISION		
DRAFT WHERE APPLICABLE MUST REMAIN WITHIN DIMENSIONS		THIRD ANGLE PROJECTION	DRAWING	SERIES	MATERIAL NUMBER
			D-SIZE	100015	1000151200
		GENERAL MARKET		CUSTOMER	
		SEE P/N TABLE		SHEET NUMBER	
				4 OF 8	

molex

ZQSFP+ 1X2 GANGED CAGE
ASSY'S (SPRING FINGER) WITH H/S & L/P OPTIONS

PRODUCT CUSTOMER DRAWING

DOCUMENT NUMBER DOC TYPE DOC PART REVISION

1000151200 PSD ASY **J2**

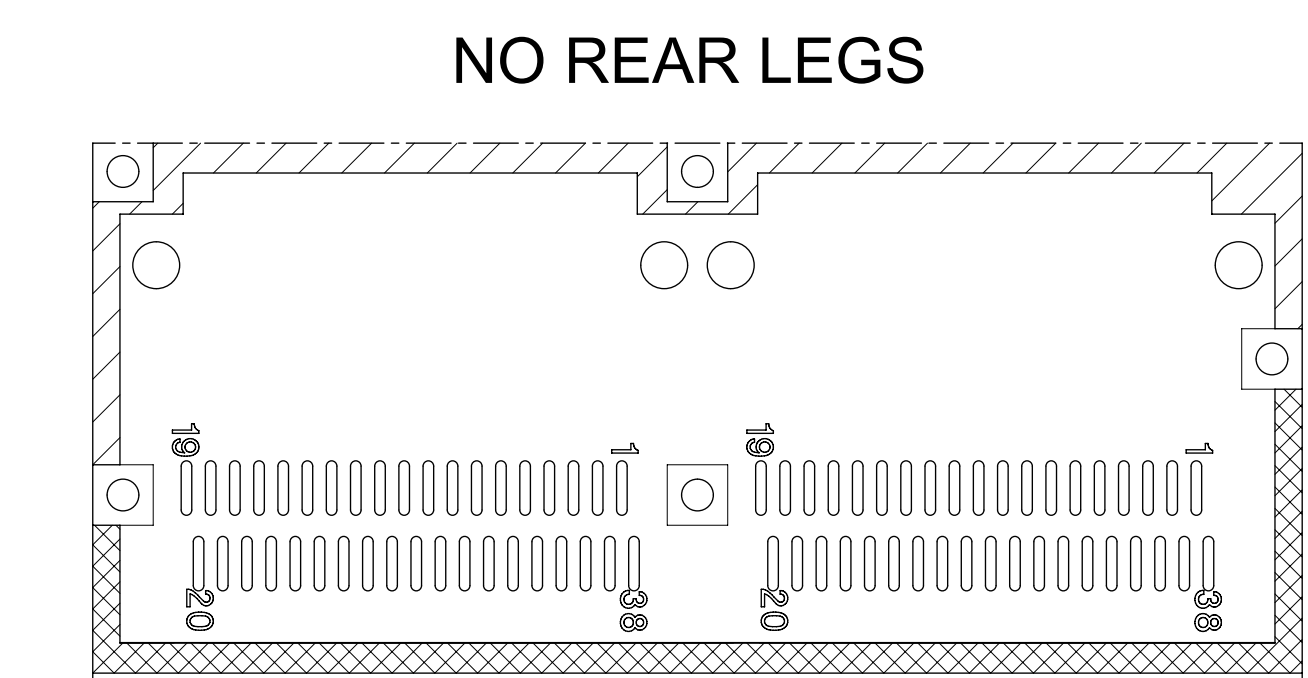
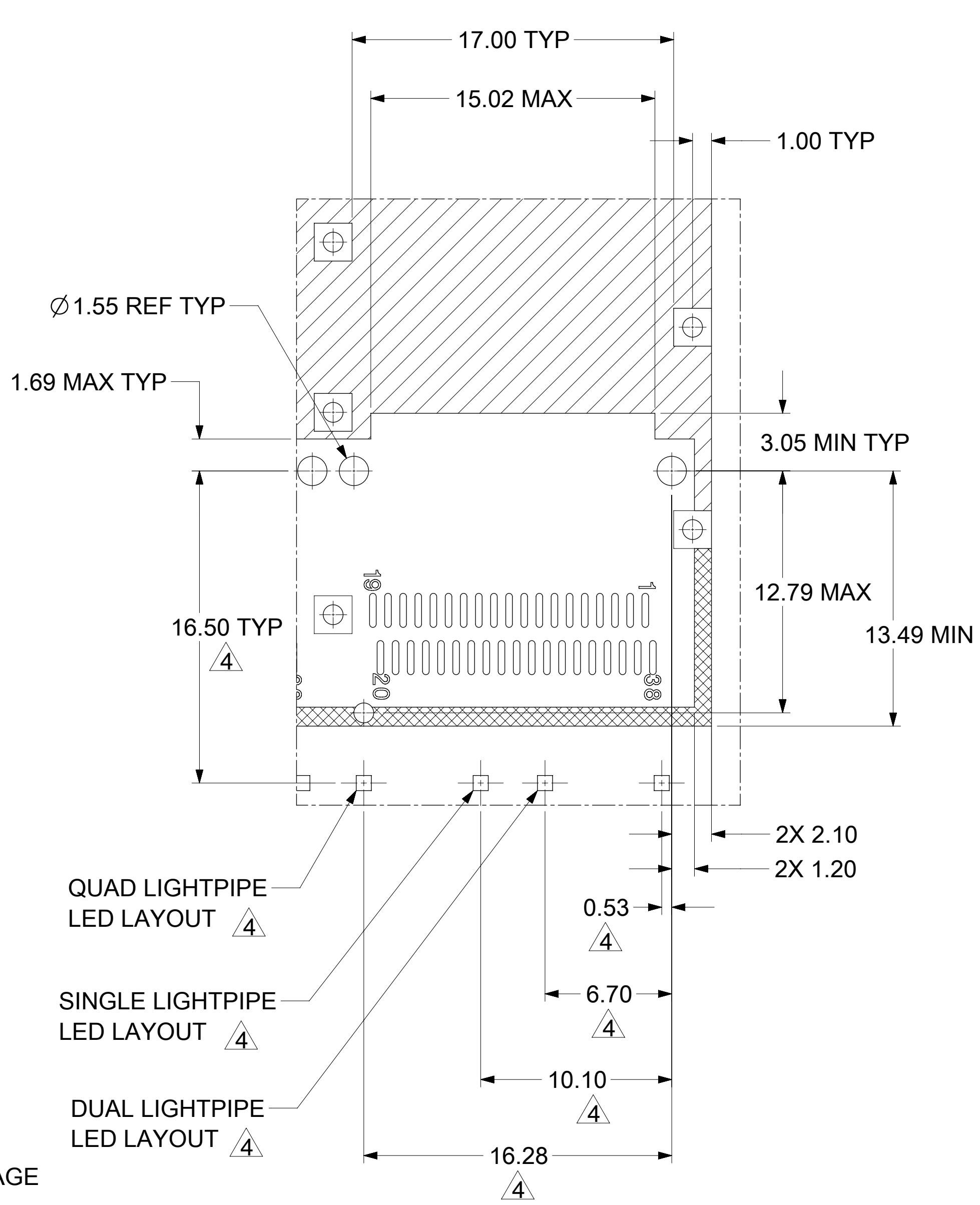
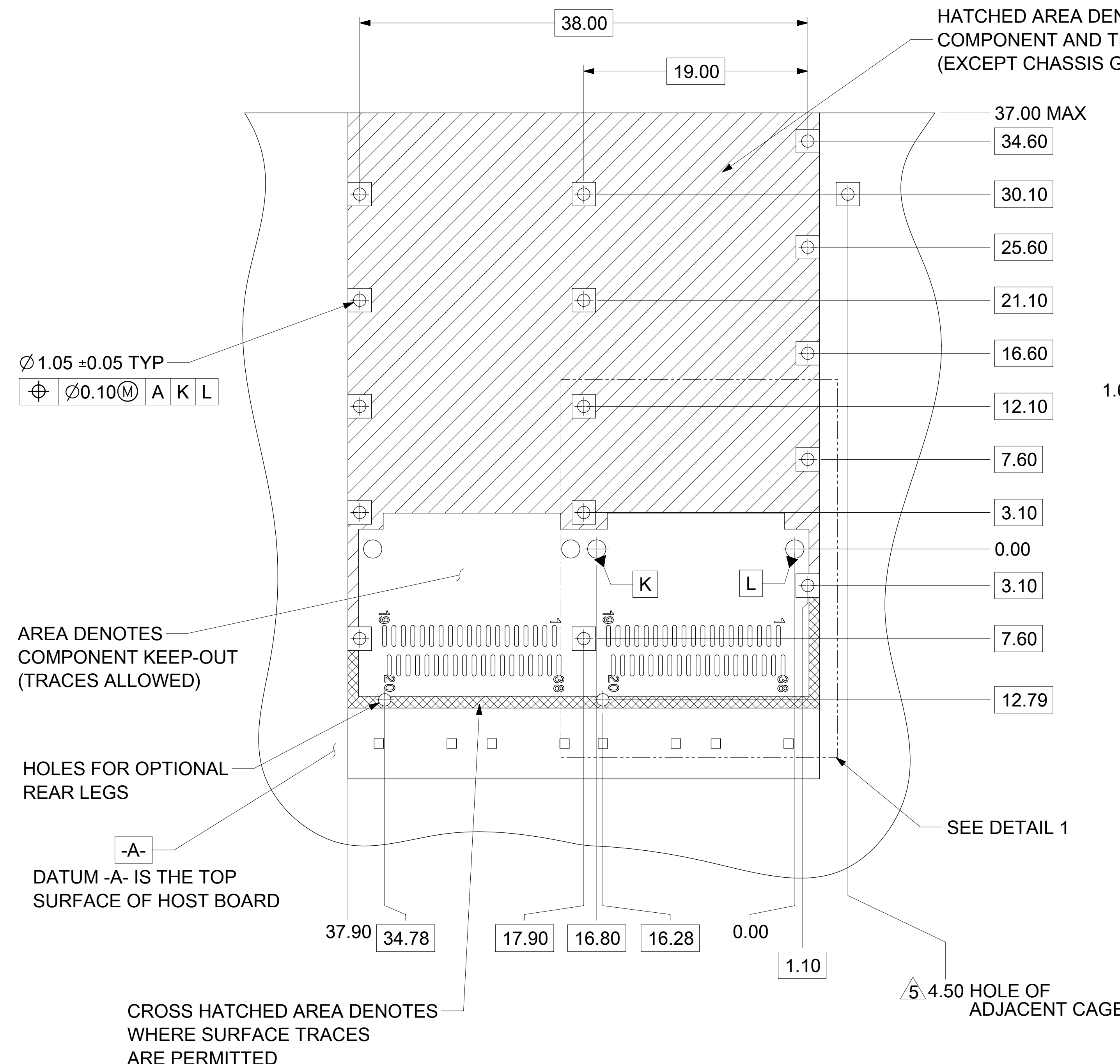
MATERIAL NUMBER CUSTOMER SHEET NUMBER

SEE P/N TABLE GENERAL MARKET **4 OF 8**

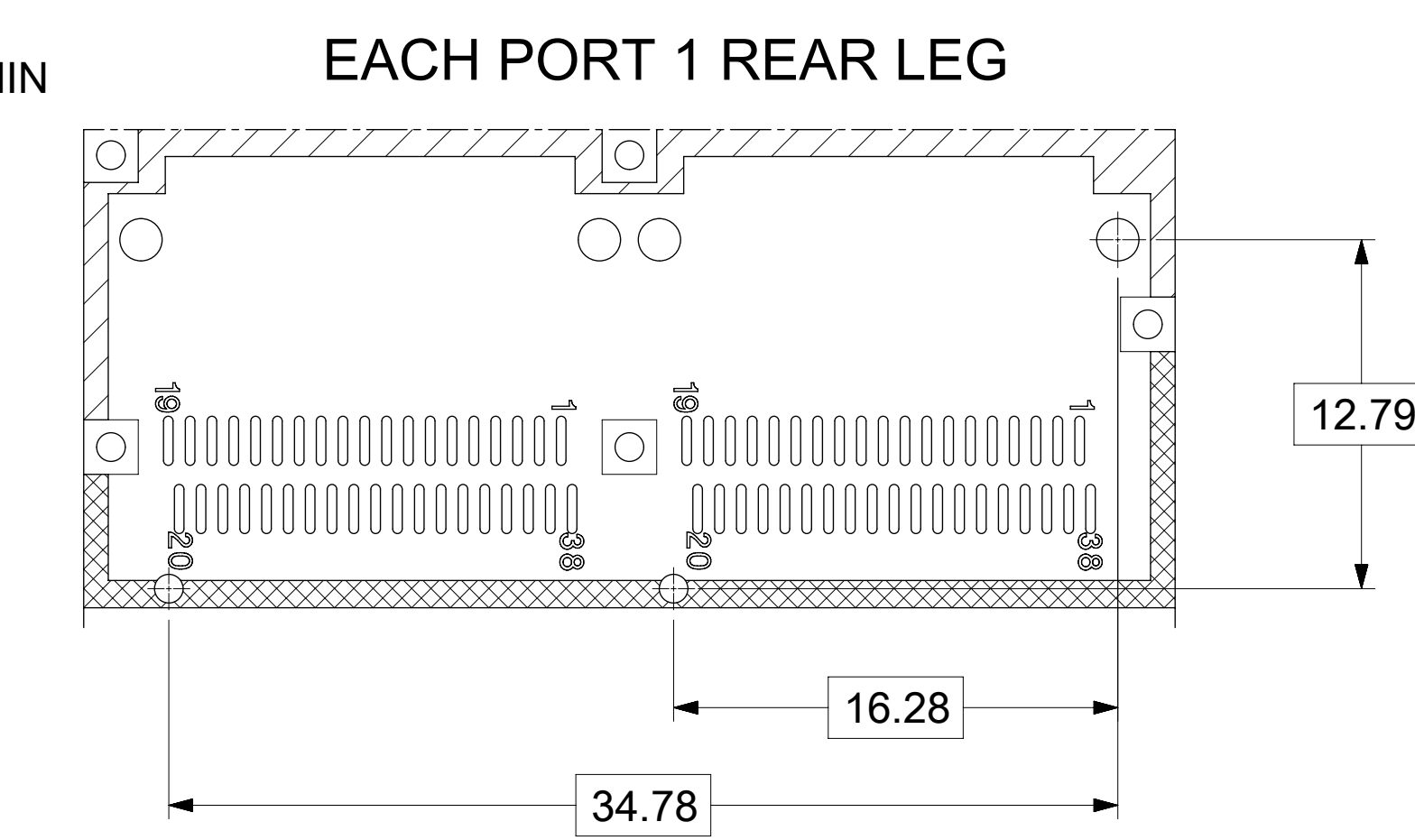
PCB LAYOUT FOR SINGLE SIDED MOUNTING

CROSS HATCHED AREA DENOTES EMI GROUNDING PAD (MUST BE CONNECTED TO CHASSIS GROUND)

HATCHED AREA DENOTES COMPONENT AND TRACE KEEP-OUT (EXCEPT CHASSIS GROUND)



PARTIAL 1 SCALE 5:1



PARTIAL 1 SCALE 5:1

- NOTES:
1. PADS AND VIAS GO TO CHASSIS GROUND. (RECOMMENDED PADS TO BE 2.00mm SQUARE.)
 2. RECOMMENDED THRU HOLE PLATING INCLUDES HASL, OSP, OR IMMERSION (GOLD, SILVER, OR TIN).
 3. CONNECTOR PAD LAYOUT PER SFF-8663 WILL ACCOMODATE MOLEX CONNECTOR SERIES 170432.
 4. NOTED DIMENSIONS ONLY APPLY TO CAGE ASSEMBLIES WITH LIGHT PIPES.
 5. THIS DIM IS FOR REF ONLY USER CAN MODIFY IT DEPENDS ON APPLICATION

DETAIL F SCALE 5:1

FUNCTIONAL SYMBOLS	THIS DRAWING CONTAINS INFORMATION THAT IS PROPRIETARY TO MOLEX ELECTRONIC TECHNOLOGIES, LLC AND SHOULD NOT BE USED WITHOUT WRITTEN PERMISSION		CURRENT REV DESC:		molex
	FA = 0	mm	SCALE	4:1	
DIVISIONAL SYMBOLS	GENERAL TOLERANCES (UNLESS SPECIFIED)		EC NO: 690611		ZQSFP+ 1X2 GANGED CAGE ASSY'S (SPRING FINGER) WITH H/S & L/P OPTIONS
	FC = 0	ANGULAR TOL ± 2.0°		DRWN: DKUMARG 2021/12/30	
FUNCTIONAL SYMBOLS	4 PLACES	±	CHK'D: AMRUTH 2021/12/31		PRODUCT CUSTOMER DRAWING
	3 PLACES	±	APPR: JCHIANG 2022/01/03		
	2 PLACES	± 0.13	INITIAL REVISION:		DOCUMENT NUMBER
	1 PLACE	± 0.25	DRWN: TKUMARKC 2015/11/27		
0 PLACES	±	APPR: RCHEN08 2015/12/18		DOC TYPE	
DRAFT WHERE APPLICABLE MUST REMAIN WITHIN DIMENSIONS		THIRD ANGLE PROJECTION		DRAWING	SHEET NUMBER
				D-SIZE	5 OF 8
				SERIES	
				MATERIAL NUMBER	
				CUSTOMER	
				SEE P/N TABLE	
				GENERAL MARKET	

PCB LAYOUT FOR BELLY TO BELLY MOUNTING

HATCHED AREA DENOTES COMPONENT AND TRACE KEEP-OUT (EXCEPT CHASSIS GROUND)

DATUM -A- IS THE TOP SURFACE OF HOST BOARD

Ø 1.05 ±0.05 TYP

⊕ Ø0.10Ⓜ A K L

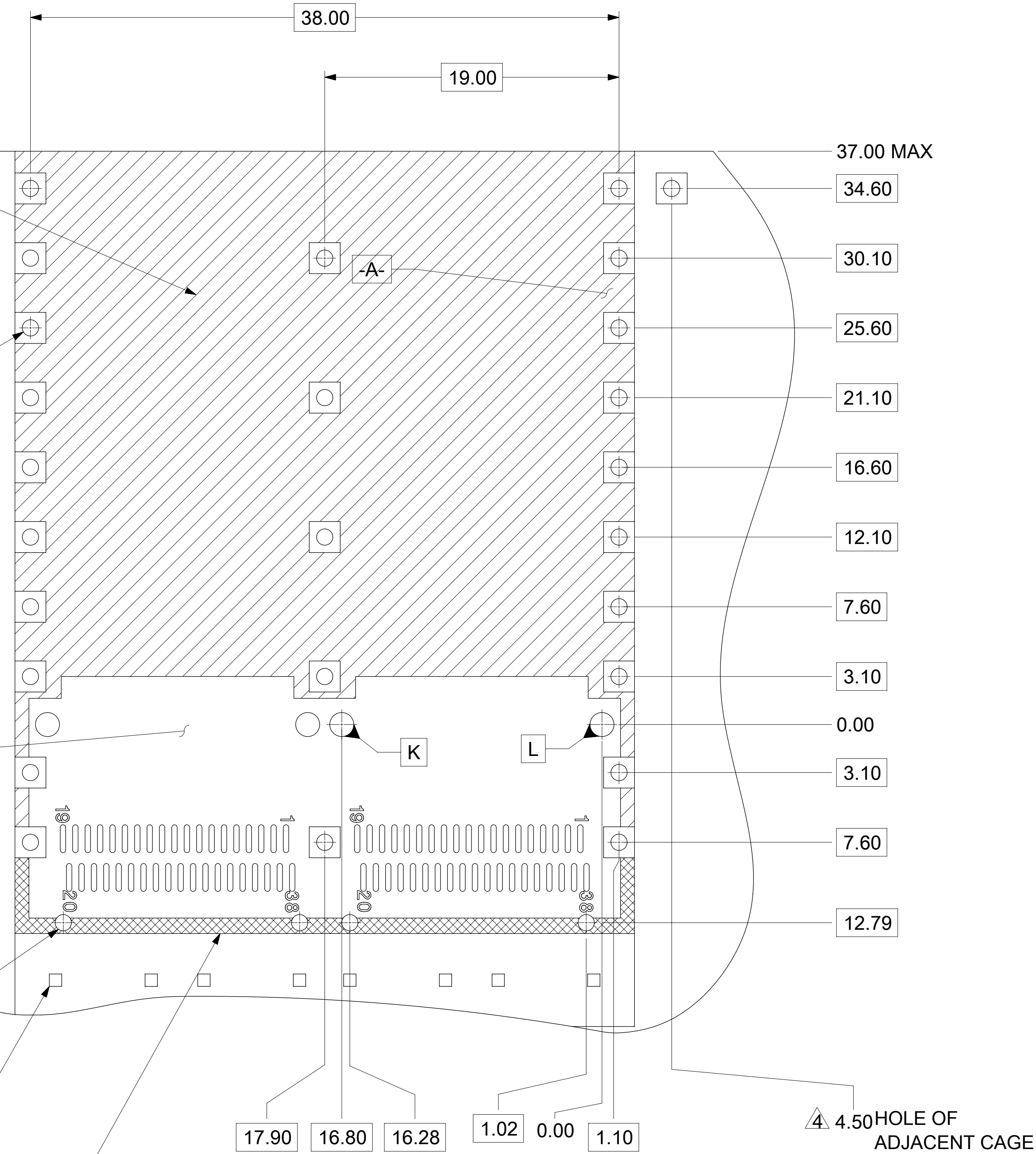
AREA DENOTES COMPONENT KEEP-OUT (TRACES ALLOWED)

HOLES FOR OPTIONAL REAR LEGS

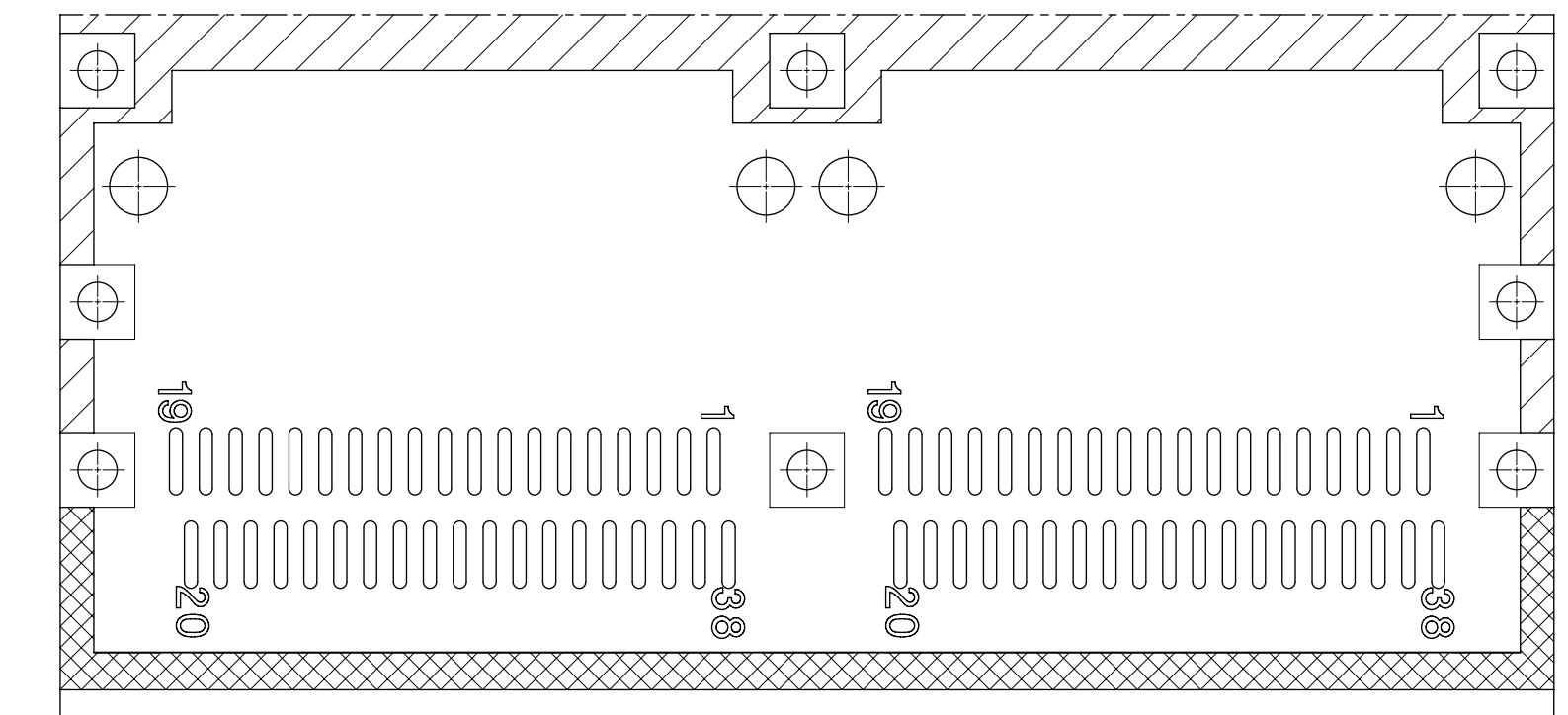
FOR CAGE ASSEMBLIES WITH LIGHT PIPES

CROSS HATCHED AREA DENOTES WHERE SURFACE TRACES ARE PERMITTED

- NOTES:
1. PADS AND VIAS GO TO CHASSIS GROUND. (RECOMMENDED PADS TO BE 2.00mm SQUARE.)
 2. RECOMMENDED THRU HOLE PLATING INCLUDES HASL, OSP, OR IMMERSION (GOLD, SILVER, OR TIN).
 3. CONNECTOR PAD LAYOUT PER SFF-8663 WILL ACCOMODATE MOLEX CONNECTOR SERIES 170432.
 4. THIS DIM IS FOR REF ONLY USER CAN MODIFY IT DEPENDS ON APPLICATION.



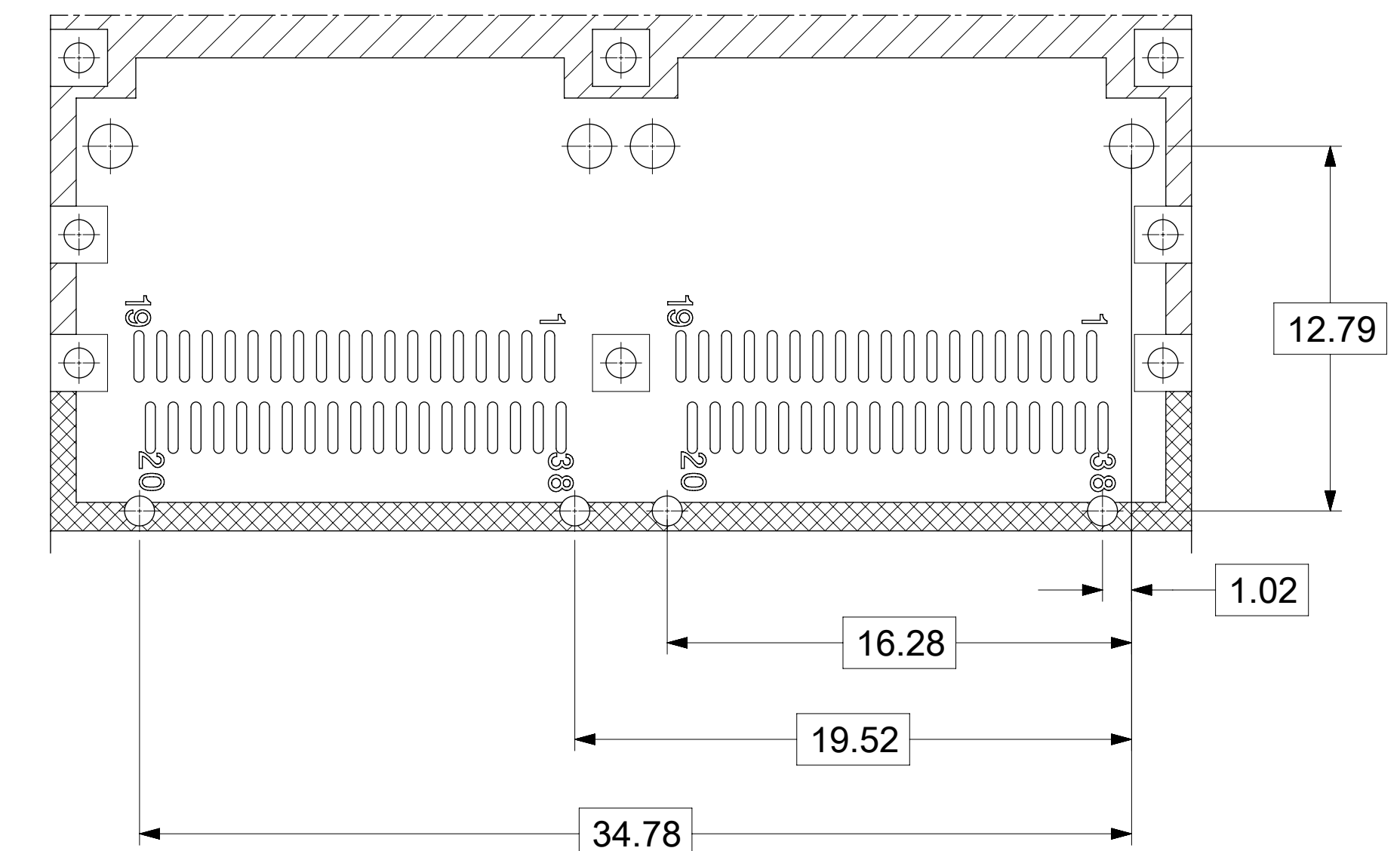
NO REAR LEGS



PARTIAL 3
SCALE 5:1

NOTE:
SEE SHEET 5 FOR
HOST CONNECTOR DETAIL
AND LED LOCATION DETAILS

EACH PORT 1 REAR LEG



PARTIAL 4
SCALE 5:1

FUNCTIONAL SYMBOLS	THIS DRAWING CONTAINS INFORMATION THAT IS PROPRIETARY TO MOLEX ELECTRONIC TECHNOLOGIES, LLC AND SHOULD NOT BE USED WITHOUT WRITTEN PERMISSION		CURRENT REV DESC:				
	FA = 0	mm					
DIVISIONAL SYMBOLS	GENERAL TOLERANCES (UNLESS SPECIFIED)		EC NO: 690611		ZQSFP+ 1X2 GANGED CAGE		
	FC = 0	ANGULAR TOL ± 2.0°		DRWN: DKUMARG	2021/12/30		ASSY'S (SPRING FINGER) WITH H/S & L/P OPTIONS
DIVISIONAL SYMBOLS	FP = 0	4 PLACES	±	CHK'D: AMRUTH	2021/12/31		PRODUCT CUSTOMER DRAWING
		3 PLACES	±	APPR: JCHIANG	2022/01/03		DOCUMENT NUMBER
		2 PLACES	± 0.13	INITIAL REVISION:			DOC TYPE
		1 PLACE	± 0.25	DRWN: TKUMARKC	2015/11/27		DOC PART
	0 PLACES	±	APPR: RCHEN08	2015/12/18		REVISION	
DRAFT WHERE APPLICABLE MUST REMAIN WITHIN DIMENSIONS		THIRD ANGLE PROJECTION		DRAWING SERIES		MATERIAL NUMBER	
		D-SIZE		100015		CUSTOMER	
				SEE P/N TABLE		GENERAL MARKET	
						SHEET NUMBER	
						6 OF 8	

REV	DATE	DESCRIPTION
A	2013/03/29	INITIAL RELEASE
B	2013/02/04	SHEET 3: ADDED VIEW AND P/N TABLE FOR CLOSED TOP W/ LP. SHEET 4/5: EXPANDED AREA WHERE SURFACE TRACES ARE PERMITTED.REMOVED "HOLE PATTERN REPEATS FOR EACH PORT" FROM NOTE 4
C	2014/06/27	SHEET 1: ADDED MATERIAL INFORMATION TO NOTES. CHANGED REARMOST LEG ON BOTH SIDES OF ALL CAGES FROM 3D PRESSFIT TO EYE-OF-THE-NEEDLE PRESSFIT LEG.
D	2014/10/06	SHEET 2: CHANGED HEATSINK HEIGHT DIMENSIONS TO REF J13: DIM 67.48 CHANGED TO REF SHEET 4: MOVED DATUMS "K" AND "L" TO CONNECTOR HOLES REMOVED BASIC FROM "0.00" POSITIONS SHEET 5: MOVED DATUMS "K" AND "L" TO CONNECTOR HOLES REMOVED BASIC FROM "0.00" POSITIONS H16: MADE HOLE DIAMETER DIMENSION TYP SHEET 6: EDIT NOTE 1, REMOVED "SIZE" REMOVED NOTE 1 FROM ALL "10.15" DIMENSIONS
E	2015/04/14	SHEET 4: REVISED DIM "WAS" 12.77 "NOW" 12.79 @G11 ADDED DIMS @K13 AND K14 REMOVED NOTE 4 AND REVISED NOTE 5 TO NOTE 4 REVISED FRAMED TEXT NUMBER 4 TRIANGLES TO FRAMED TEXT NUMBER 5 @D4, @E4,@F4, @F6, @F7,AND @H7 SHEET 5: REVISED DIM "WAS" 12.77 "NOW" 12.79 @F8 REMOVED NOTE 4 @A20 REMOVED SEE NOTE 4 AND ADDED DIMS @K10 AND @K12 SHEET 6: REVISED PORT CL "WAS" (4) "NOW" PORT CL @F6
F	2015/06/30	SHEET 3: ADDED P/N 1000151901 TO WITH HAETSINK AND LIGHT PIPE TABLE
G	2015/08/17	REMASTERED FROM SD-100015-1200 REV_'F' TO 1000151200 PSD REV_G ADDED SHEET 3 FOR P/N 1000151901 SHEET 4: F15: ADDED COLUMN FOR LP SHIELD IN "WITH HAETSINK AND LIGHT PIPE" TABLE D2: ADDED VIEW FOR "QUAD LIGHT PIPE WITH LIGHT SHIELD" SHEET 5: A19: ADDED NOTE 5 "THIS DIM IS FOR REF ONLY USER CAN MODIFY IT DEPENDS ON APPLICATION. D4 & H4: ADDED PARTIAL VIEW 1 AND PARTIAL VIEW 2. SHEET 6: A19: ADDED NOTE 4 "THIS DIM IS FOR REF ONLY USEER CAN MODIFY IT DEPENDS ON APPLICATION". E4 & J4 ADDED PARTIAL VIEW 3 & PARTIAL VIEW 4. SHEET 7: A19: ADDED NOTE 3 "THIS DIM IS FOR REF ONLY USEER CAN MODIFY IT DEPENDS ON APPLICATION".
H	2016/03/01	CHANGED THE DOCUMENT TYPE FROM RSD TO SD. SHEET 1: E08: REMOVED DIM 1.8±0.25. C16: CHANGED BERYLLIUM COPPER TO COPPER ALLOY IN NOTE. D11: ADDED DIMENSION 13.40 REF SHEET 2: E07: ADDED NOTE "CL OF REAR WALL TO CL OF LED" TO DIM 3.7 TYP. SHEET 4: G06: ADDED COLUMN FOR LP TABS IN TABLE. SHEET 5: J14: CHANGED DIMENSION 19 TO BASIC DIMENSION. J15: CHANGED DIMENSION 38 TO BASIC DIMENSION. SHEET 6: K12: CHANGED DIMENSION 19 TO BASIC DIMENSION. K13: CHANGED DIMENSION 38 TO BASIC DIMENSION. SHEET 7: G14: ADDED TYP TO DIM 4X2.67. B16: CHANGED DIMENSION 2.75 MIN TO 2.40 MIN E16: CHANGED DIMENSION 2.75 MIN TO 2.40 MIN F08: CHANGED DIMENSION 2.75 MIN TO 2.40 MIN C08: CHANGED DIMENSION 2.75 MIN TO 2.40 MIN J18: ADDED DIM 0.15±0.10(BEZEL OPENING ABOVE PCB PAD SURFACE)
J	2018/05/22	SHEET 5: ADDED PAD TO HOLES & UPDATED VIEWS TO AVOID CONFUSION SHEET 6: ADDED PAD TO HOLES & UPDATED VIEWS TO AVOID CONFUSION
J1	2019/08/26	OBSOLETED P/N 1000151240, 1000151441, 1000151542
J2	2021/12/31	SHEET 05 : E07 : CORRECTED DIMENSION LINE FOR THE DIM 1.20

FUNCTIONAL SYMBOLS	THIS DRAWING CONTAINS INFORMATION THAT IS PROPRIETARY TO MOLEX ELECTRONIC TECHNOLOGIES, LLC AND SHOULD NOT BE USED WITHOUT WRITTEN PERMISSION		
	DIMENSION UNITS	SCALE	CURRENT REV DESC:
$\frac{F}{A} = 0$	mm	1:1	EC NO: 690611 DRWN: DKUMARG 2021/12/30 CHK'D: AMRUTH 2021/12/31 APPR: JCHIANG 2022/01/03
$\frac{F}{C} = 0$	GENERAL TOLERANCES (UNLESS SPECIFIED)		
$\frac{F}{P} = 0$	ANGULAR TOL ± 2.0°		INITIAL REVISION: DRWN: TKUMARKC 2015/11/27 APPR: RCHEN08 2015/12/18
DIVISIONAL SYMBOLS	4 PLACES ±	3 PLACES ±	
	2 PLACES ± 0.13	1 PLACE ± 0.25	DRAFT WHERE APPLICABLE MUST REMAIN WITHIN DIMENSIONS
	0 PLACES ±		
THIRD ANGLE PROJECTION		DRAWING	SERIES
		D-SIZE	100015
MATERIAL NUMBER		CUSTOMER	SHEET NUMBER
1000151200		GENERAL MARKET	8 OF 8

molex

ZQSFP+ 1X2 GANGED CAGE
ASSY'S (SPRING FINGER) WITH H/S & L/P OPTIONS

PRODUCT CUSTOMER DRAWING

DOCUMENT NUMBER	DOC TYPE	DOC PART	REVISION
1000151200	PSD	ASY	J2