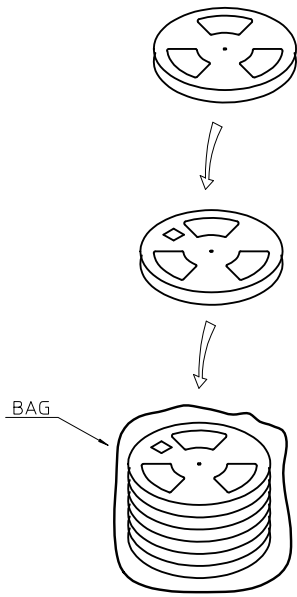


NOTE:

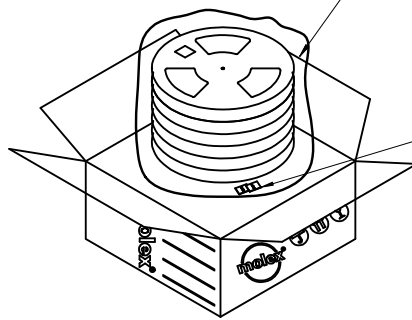
1. TAPE SIZE 29.5mm
2. STAPLES SHOULD ONLY BE USED TO SET UP CARTON
- ALL CARTONS CLOSURES MUST BE DONE WITH TAPE.
3. FILL PACKAGING REEL WITH THE QUANTITIES AS INDICATED IN THE CHART.

PRODUCT P/N	PARTS PER PRIMARY CARTON	PARTS PER REEL	TOTAL REELS PER PRIMARY CARTON
48168-1201 48168-1211	7000(PCS)	1400(PCS)	5
48168-3001 48168-3011	5600(PCS)	1400(PCS)	4

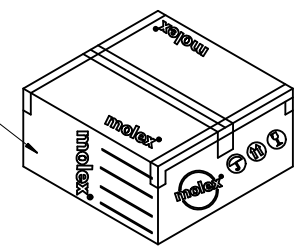


PRIMARY CARTON  
096707-0007

2 DESICCATING AGENT



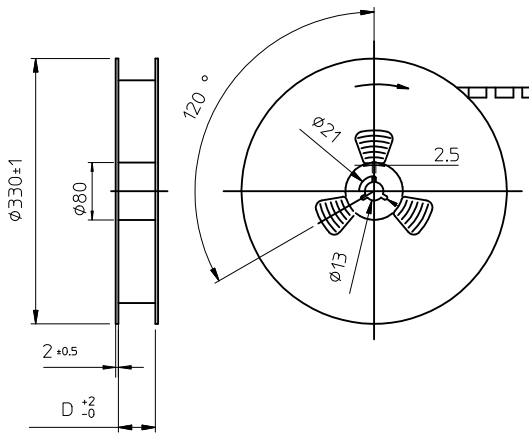
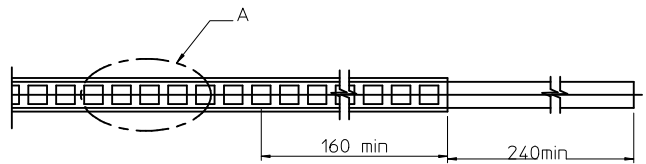
PRIMARY CARTON  
096707-0007



REVISE EC NO: SH2010-0365 DRWN: YANG05 2010/03/12 CHK: ERIC KAO 2005/07/05 APPR: RZHANG 2010/04/30	QUALITY SYMBOLS	GENERAL TOLERANCES (UNLESS SPECIFIED)		DIMENSION STYLE MM ONLY		SCALE 6:1	DESIGN UNITS METRIC	THIRD ANGLE PROJECTION	
	$\nabla_F = 0$	4 PLACES	± ---	± ---	DRAWN BY	DATE	TITLE		
	$\nabla_F = 0$	3 PLACES	± ---	± ---	CHECKED BY	DATE	MDC 0.8 MM BTB RECEPTACLE CONNECTOR PACKAGING		
	$\nabla_F = 0$	2 PLACES	± 0.25	± ---	APPROVED BY	DATE			
	1 PLACE	± 0.25	± ---	RZHANG 2010/04/14		MOLEX INCORPORATED			
		ANGULAR ± 3 °		MATERIAL NO.		DOCUMENT NO.		SHEET NO.	
		DRAFT WHERE APPLICABLE MUST REMAIN WITHIN DIMENSIONS		SEE TABLE		PK-48168-001		1 OF 3	
				SIZE A3		THIS DRAWING CONTAINS INFORMATION THAT IS PROPRIETARY TO MOLEX INCORPORATED AND SHOULD NOT BE USED WITHOUT WRITTEN PERMISSION			

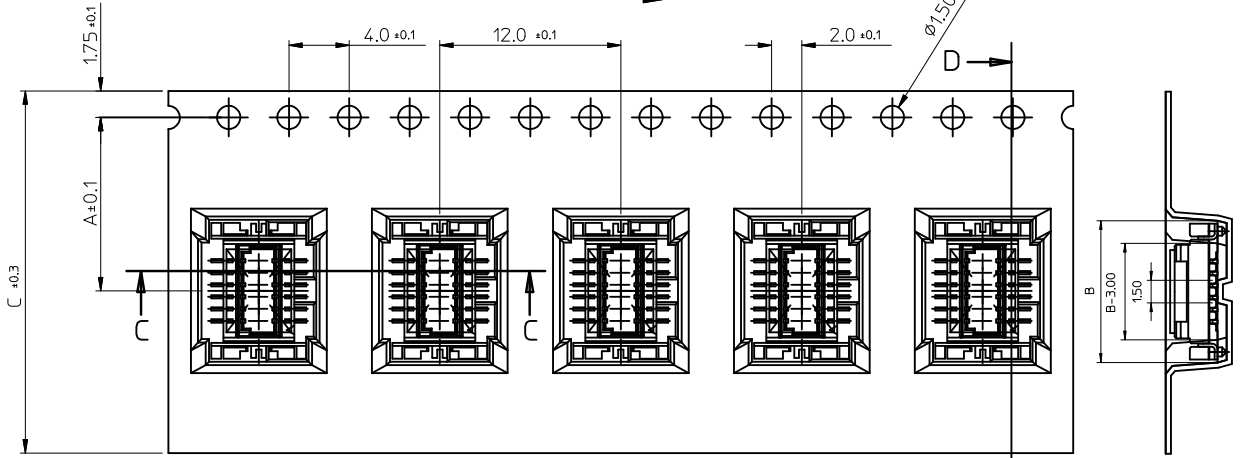
10 9 8 7 6 5 4 3 2 1

CKT	DIMA	DIMB	DIMC	DIMD
10		8.50		
12		9.30		
14	11.50	10.10	24.00	24.40
16		10.90		
20		12.50		
24		14.10		



PULL DIRECTION

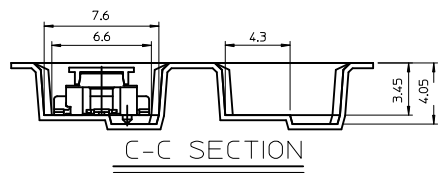
PULL DIRECTION



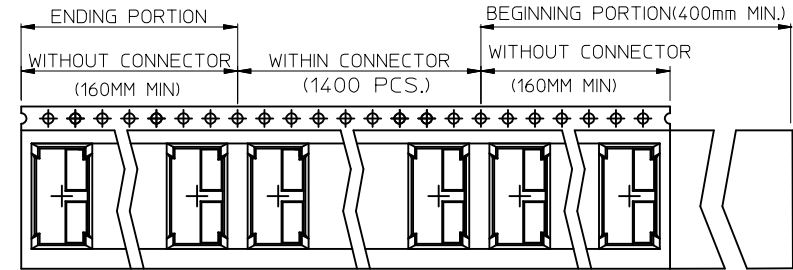
PULL DIRECTION

A VIEW DETAIL

D-D SECTION



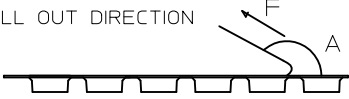
C-C SECTION



PULL DIRECTION

3. COVER TAPE PEELING FORCE:

PULL OUT DIRECTION



PEELING SPEED 300MM/MIN

A	165°~ 180°
F	0.1N~1.3N

4. PART DIMENSIONS MEET EIA-481-2-A REQUIREMENT

5. THICKNESS: 0.35±0.05 MM

REVISE	EC NO:	DRW/NF/YANG05	2010/03/12	CHK/D:ERIC KAO	2005/07/05	APPR:RZHANG	2010/04/20
C							

QUALITY SYMBOLS	DESCRIPTION
$\nabla_F=0$	
$\nabla_E=0$	
$\nabla_D=0$	

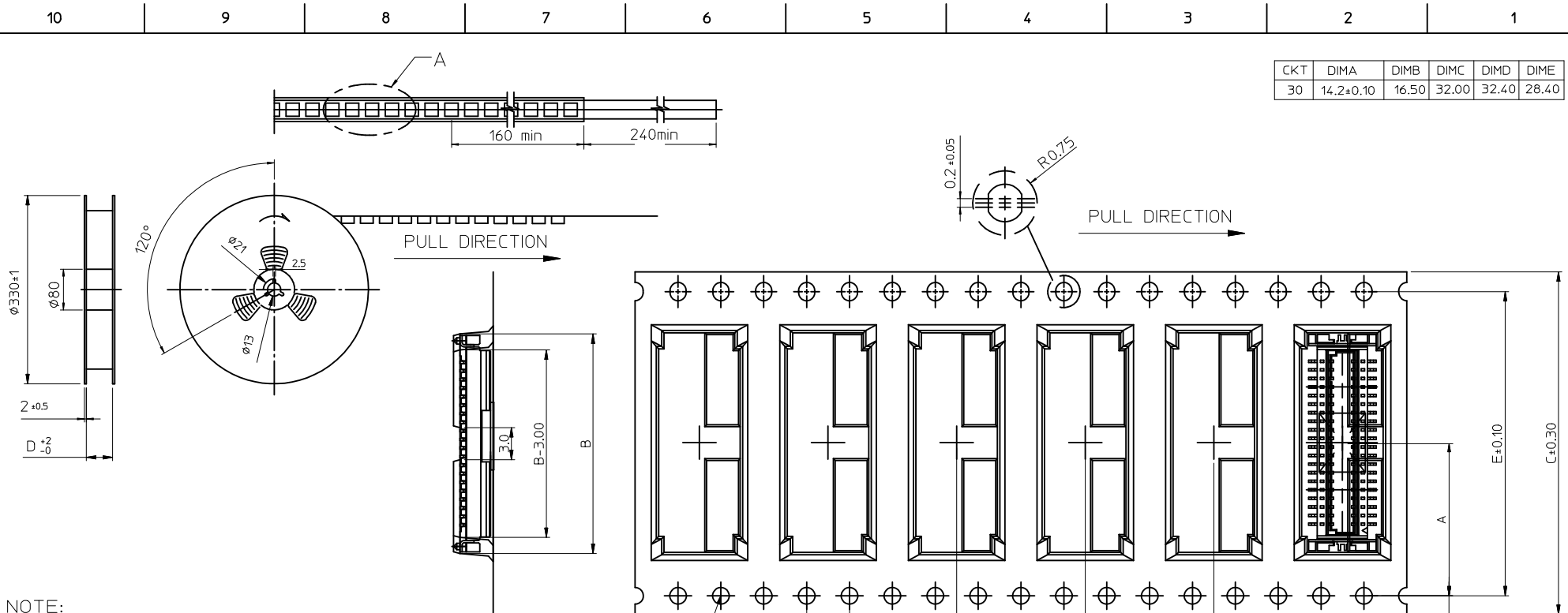
GENERAL TOLERANCES (UNLESS SPECIFIED)	mm	INCH
4 PLACES	± ---	± ---
3 PLACES	± ---	± ---
2 PLACES	± 0.25	± ---
1 PLACE	± 0.25	± ---
ANGULAR ± 3 °		

DIMENSION STYLE		SCALE		DESIGN UNITS		THIRD ANGLE PROJECTION	
MM ONLY		1:1		METRIC		THIRD ANGLE PROJECTION	
DRAWN BY	DATE	TITLE					
BERNIE	2005/07/05	MDC 0.8 MM BTB RECEPTACLE CONNECTOR PACKAGING					
CHECKED BY	DATE						
ERIC KAO	2005/07/05						
APPROVED BY	DATE						
RZHANG	2010/04/14						
MATERIAL NO.		DOCUMENT NO.		SHEET NO.			
SEE SHEET 1		PK-48168-001		2 OF 3			

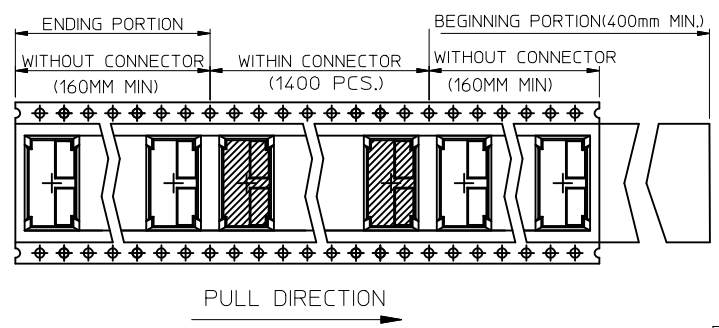
MATERIAL NO.				DOCUMENT NO.				SHEET NO.			
SEE SHEET 1				PK-48168-001				2 OF 3			
THIS DRAWING CONTAINS INFORMATION THAT IS PROPRIETARY TO MOLEX INCORPORATED AND SHOULD NOT BE USED WITHOUT WRITTEN PERMISSION											

9 8 7 6 5 4 3 2 1

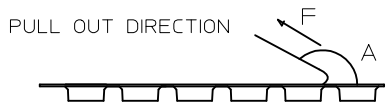
CKT	DIMA	DIMB	DIMC	DIMD	DIME
30	14.2±0.10	16.50	32.00	32.40	28.40



- NOTE:
1. QUANTITY 1400 PCS / REEL
  2. USER DIRECTION OF FEED

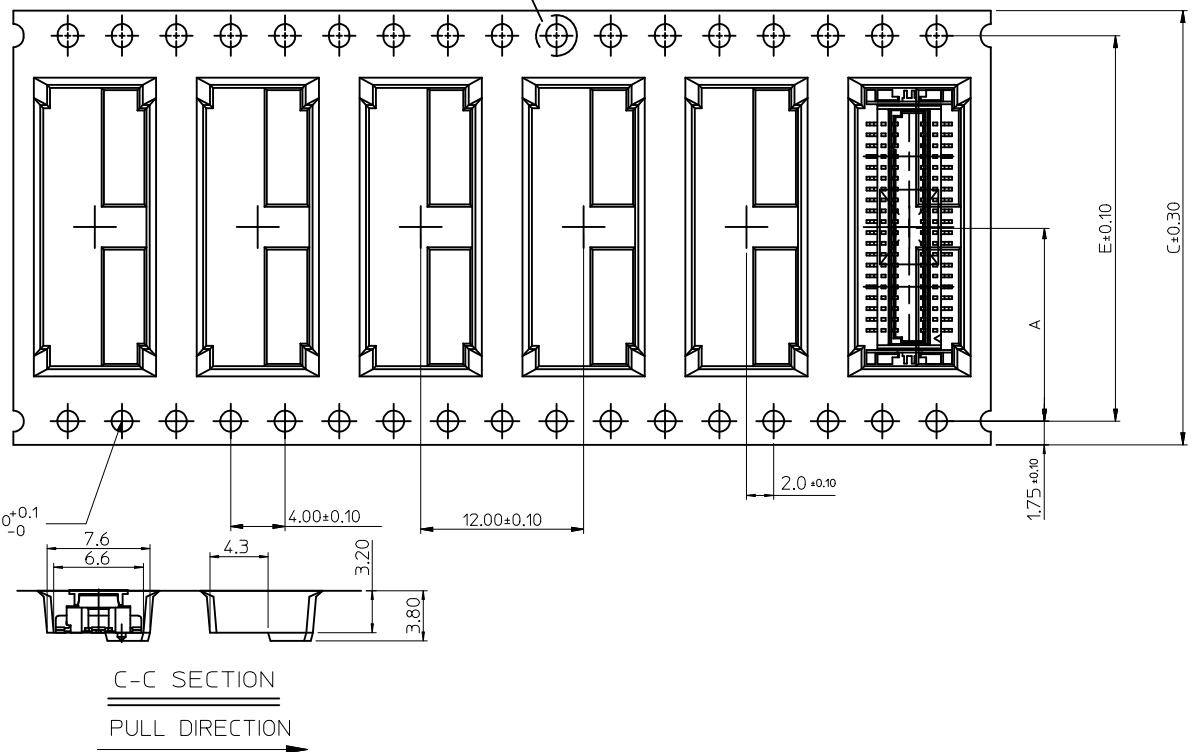


3. COVER TAPE PEELING FORCE: 0.12 kgf.

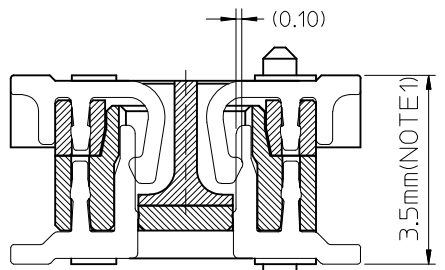
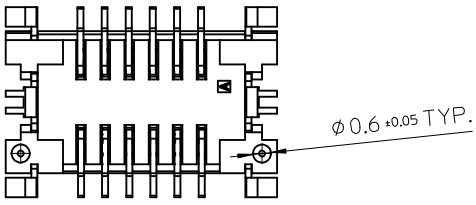
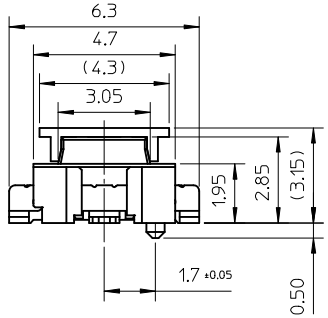
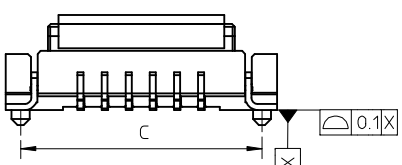
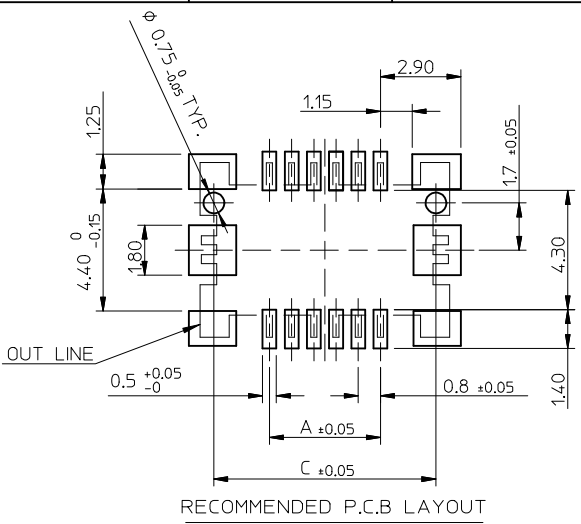
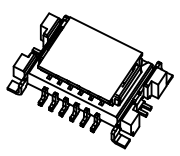
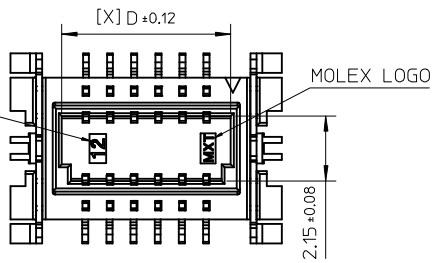
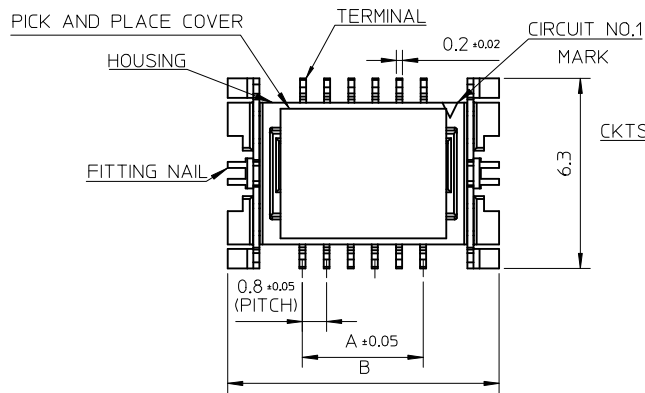


A	165° ~ 180°
F	0.1N ~ 1.3N

- PEELING SPEED 300MM/MIN
4. PART DIMENSIONS MEET EIA-481-2-A REQUIREMENT
  5. THICKNESS: 0.35±0.05 MM



REVISE	REV	DESCRIPTION	QUALITY SYMBOLS	GENERAL TOLERANCES (UNLESS SPECIFIED)		DIMENSION STYLE		SCALE	DESIGN UNITS	THIRD ANGLE PROJECTION	
				mm	INCH	MM ONLY	1:1	METRIC			
DRW: F. YANG05	2010/03/12		▽ <sub>A</sub> =0	4 PLACES	± ---	± ---	DRAWN BY	DATE	TITLE	MDC 0.8 MM BTB RECEPTACLE CONNECTOR PACKAGING	
CHK: D. ERIC KAO	2005/07/05		▽ <sub>F</sub> =0	3 PLACES	± ---	± ---	BERNIE	2005/07/05			
APP: R. ZHANG	2010/04/30		▽ <sub>E</sub> =0	2 PLACES	± 0.25	± ---	CHECKED BY	DATE		MOLEX INCORPORATED	
				1 PLACE	± 0.25	± ---	ERIC KAO	2005/07/05			
				ANGULAR ± 3 °			APPROVED BY	DATE		PK-48168-001	
				DRAFT WHERE APPLICABLE MUST REMAIN WITHIN DIMENSIONS			RZHANG	2010/04/14			
							MATERIAL NO.			DOCUMENT NO.	SHEET NO.
							SEE SHEET 1				3 OF 3
							THIS DRAWING CONTAINS INFORMATION THAT IS PROPRIETARY TO MOLEX INCORPORATED AND SHOULD NOT BE USED WITHOUT WRITTEN PERMISSION				



MATED CONDITION SECTION

DIMA	DIMB	DIMC	DIMD	CKT	AVAILABLE
3.2	8.2	7.2	4.8	10	-
4.0	9.0	8.0	5.6	12	YES
4.8	9.8	8.8	6.4	14	-
5.6	10.6	9.6	7.2	16	-
7.2	12.2	11.2	8.8	20	-
8.8	13.8	12.8	10.4	24	-
11.2	16.2	15.2	12.8	30	YES

NOTES  
 1.COPLANARITY IS 0.1mm MAX.  
 2.MATERIAL : HOUSING-HIGH TEMPERATURE THERMOPLASTIC, GLASS FILLED, UL 94V-0, COLOR: NATURE(WHITE)  
 TERMINAL- COPPER ALLOY.  
 FITTING NAIL- COPPER ALLOY  
 PICK AND PLACE COVER-HIGH TEMPERATURE THERMOPLASTIC, GLASS FILLED,UL 94V-0, COLOR: NATURE(WHITE)  
 3.FINISHES : TERMINAL :48168-XX01:  
 TIN MATT PLATED OVER ALL  
 THICKNESS :3.05 MICROMETER  
 NICKEL UNDERPLATED OVER ALL,  
 THICKNESS :1.27 MICROMETER  
 48168-XX11:  
 GOLD FLASH OVER ALL  
 THICKNESS : 0.025 MICROMETER MINIMUM,  
 NICKEL UNDERPLATED OVER ALL  
 THICKNESS : 1.27 MICROMETER MINIMUM;  
 FITTING NAIL :48168-XX01:  
 TIN MATT PLATED OVER ALL  
 THICKNESS :3.05 MICROMETER  
 NICKEL UNDERPLATED OVER ALL,  
 THICKNESS :1.27 MICROMETER  
 48168-XX11:  
 GOLD FLASH OVER ALL  
 THICKNESS : 0.025 MICROMETER MINIMUM,  
 NICKEL UNDERPLATED OVERALL  
 THICKNESS : 1.27 MICROMETER MINIMUM;

4.PRODUCT SPECIFICATION REFER TO PS-48126-001  
 5.DRAWING PACKAGING REFER TO PK-48168-001  
 6.TEST SUMMARY REFER TO TS-48210-001  
 7.MATED WITH 48126-SERIES  
 8.P/N LEGEND 48168-XXX1

NO OF CKTS PLATING  
 0:MATT TIN  
 1:GOLD FLASH OVER ALL

9.LEAD-FREE AND ROHS COMPLIANCE

RELEASED EC NO: SHH2005-0240 DRW:KEA001 CHKD: APPR:WMSCHANG 2005/11/03 2005/11/03 2005/11/04	QUALITY SYMBOLS ▽=0 ◻=0	GENERAL TOLERANCES (UNLESS SPECIFIED)		DIMENSION STYLE IN/MM		SCALE 6:1	DESIGN UNITS INCH	THIRD ANGLE PROJECTION	
		4 PLACES ± --- ± ---	mm INCH	DRAWN BY BERNIE	DATE 2005/01/25	TITLE MDC BOARD TO BOARD RECEPTACLE CONNECTOR (LEAD-FREE VERSION)			
		3 PLACES ± --- ± ---		CHECKED BY ERIC	DATE 2005/01/25	MOLEX MOLEX INCORPORATED			
		2 PLACES ± 0.25 ± --- 1 PLACE ± 0.25 ± --- ANGULAR ± 3 °		APPROVED BY WILSON	DATE 2005/01/25	MATERIAL NO. SEE NOTES	DOCUMENT NO. SD-48168-001	SHEET NO. 1 OF 1	
DRAFT WHERE APPLICABLE MUST REMAIN WITHIN DIMENSIONS		SIZE A3		THIS DRAWING CONTAINS INFORMATION THAT IS PROPRIETARY TO MOLEX INCORPORATED AND SHOULD NOT BE USED WITHOUT WRITTEN PERMISSION					