

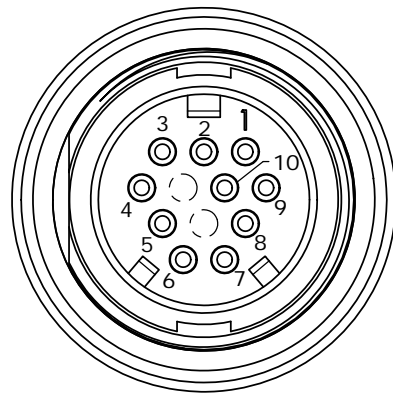
CUSTOMER PRINT

PART NUMBER: W4282-1XPG-300

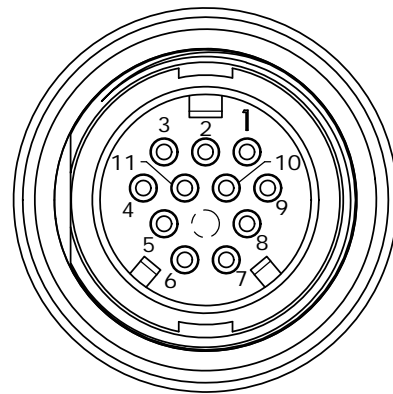
- NOTES:**  
 1. ALL PARTS TO BE BULK PACKED.  
 2. CONTACTS ASSEMBLED INTO CONNECTOR. SOLDER CUPS FACING TOP KEY.  
 3. ALL DIMENSIONS ARE REFERENCE ONLY EXCEPT WHERE NOTED WITH A TOLERANCE. DIMENSIONS IN BRACKETS [ ] ARE METRIC.

ASS'Y P/N	CONTACTS	HOLE POS. CLOSED
W4282-10PG-300	10 - #20	11, 12
W4282-11PG-300	11 - #20	12
W4282-12PG-300	12 - #20	NONE
W4282-1XPG-300		

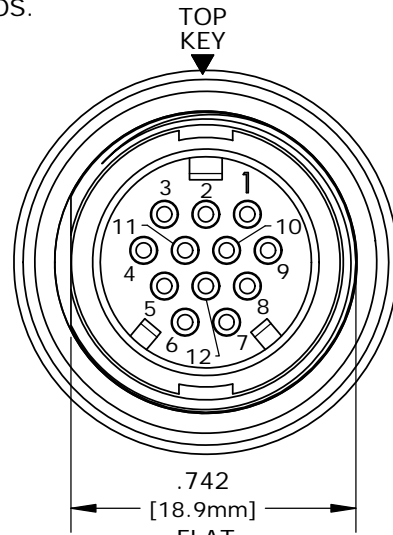
NO. OF CONTACTS



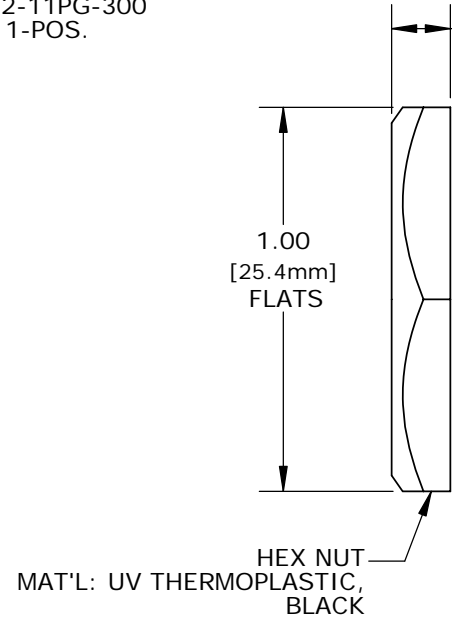
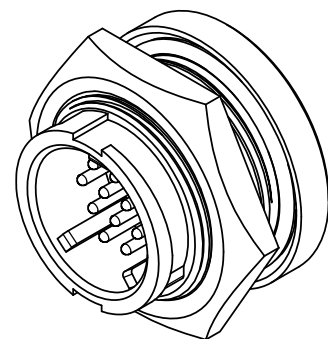
**FACE VIEW**  
W4282-10PG-300  
10-POS.



**FACE VIEW**  
W4282-11PG-300  
11-POS.

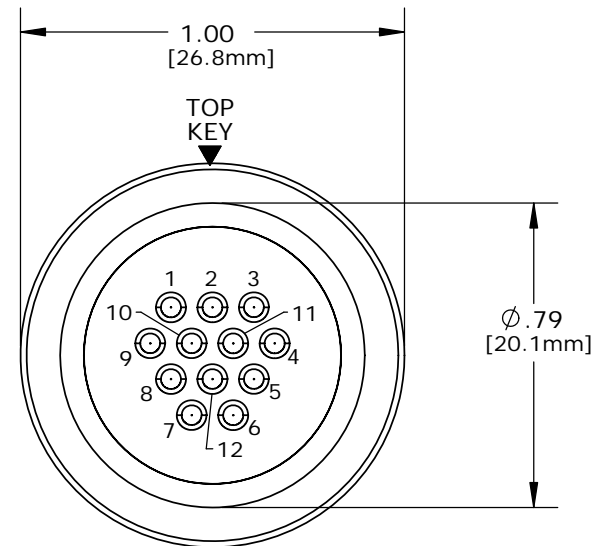
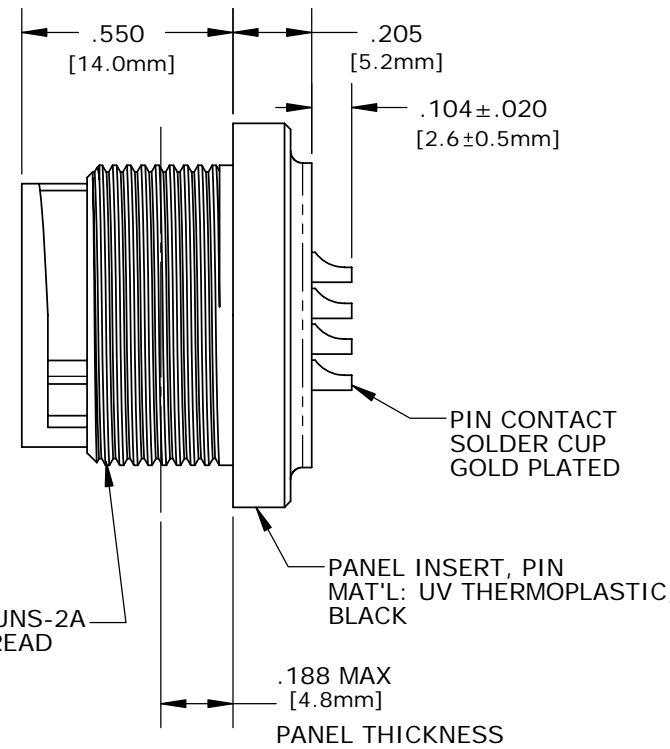


**FACE VIEW**  
W4282-12PG-300  
12-POS.

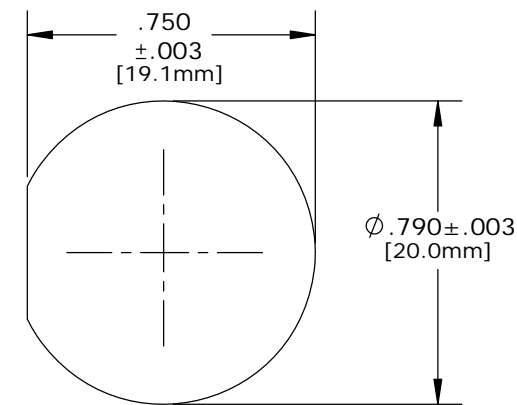


O-RING  
MAT'L: RUBBER, BLACK

13/16-27 UNS-2A  
MOD. THREAD



**WIRE VIEW**  
 W4282-10PG-300 - 10-POS. (11&12 CLOSED)  
 W4282-11PG-300 - 11-POS. (12 CLOSED)  
 W4282-12PG-300 - 12-POS. (ALL OPEN)



**RECOMMENDED  
 PANEL CUTOUT  
 STANDARD MULTI-CON-X**

**CUSTOMER APPROVAL**

THIS DOCUMENT CONTAINS CONFIDENTIAL INFORMATION PROPRIETARY TO CONXALL CORPORATION. ANY REPRODUCTION, DISCLOSURE, OR USE OF THIS DOCUMENT /INFORMATION IS EXPRESSLY PROHIBITED UNLESS AUTHORIZED IN WRITING BY CONXALL CORPORATION.

APPROVED BY: \_\_\_\_\_  
 DATE: \_\_\_\_\_

A	PAK	09/12/19	DRAWING CREATED AND RELEASED PER DOR 10-2523JS-1	
REV.	INIT.	DATE	DESCRIPTION	
			ORIG. DRAWN BY: PAK	DATE: 10/07/14
ALL INFORMATION ILLUSTRATED IS THE PROPERTY OF "CONXALL CORPORATION". UNAUTHORIZED DUPLICATION OR DISTRIBUTION OF THIS DOCUMENT IS PROHIBITED.			<p>601 E. WILDWOOD VILLA PARK, IL 60181</p>	
UNLESS OTHERWISE SPECIFIED TOLERANCES: 3 PLACE DECIMALS ±.005 ANGLES ±1° FRACTIONS ±1/16				
ALL UNITS ARE IN FEET, INCHES, FRACTION OF INCHES AND DECIMALS.			APPROVED BY:	TITLE: PANEL PIN, E-KEY
SCALE: NTS	SIZE: B	SHEET: 1 OF 1	#20 SOLDER, 12-POS. PATTERN MULTI-CON-X, WEATHER RESISTANT STANDARD PRODUCT	
FILE: W4282-1XPG-300	DIRECTORY: SLW	PART NUMBER: W4282-1XPG-300	REV: A	