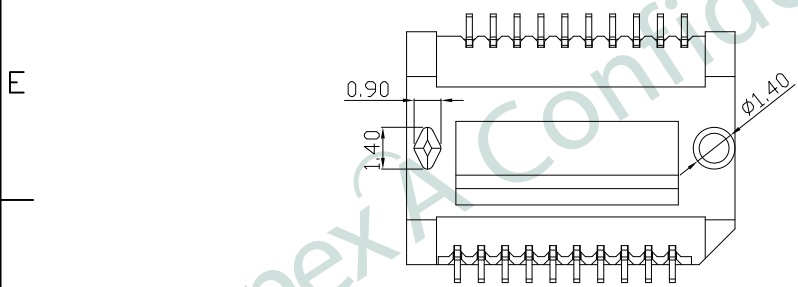
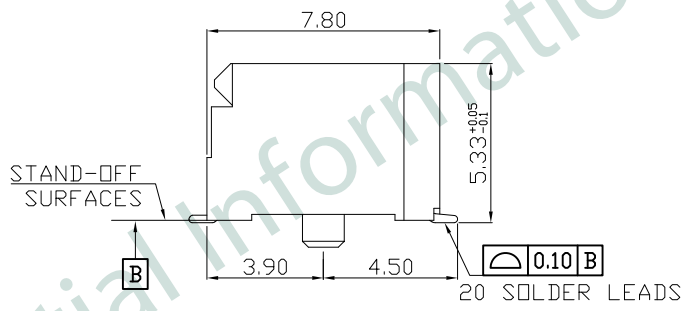
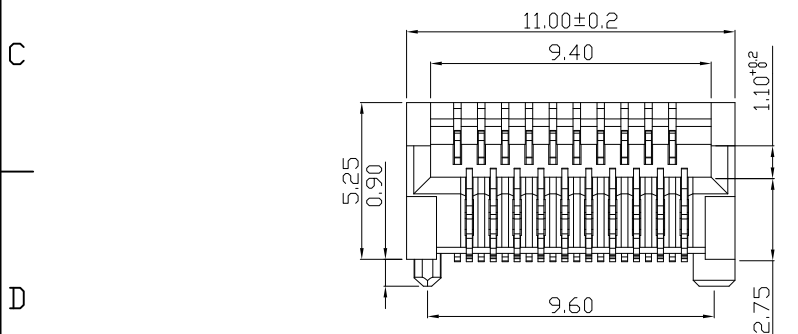
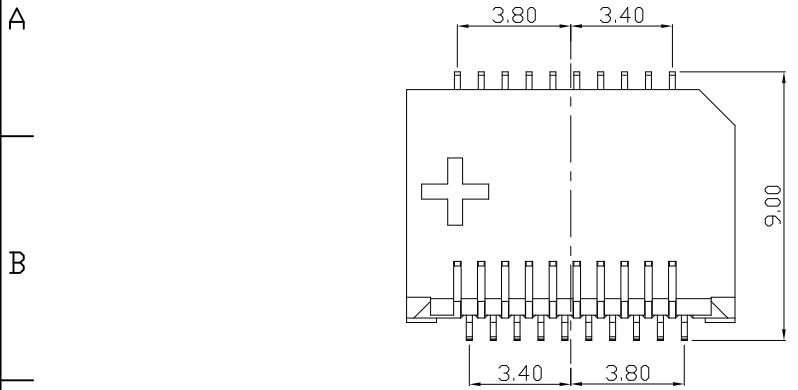


REV.	DATE	DESCRIPTION
01	Jul. 05, '18	1st RELEASE



- NOTES:
- MATERIAL:
HOUSING: LCP, UL94V-0, BLACK
CONTACT: C5210R-EH, T=0.20mm
 - DURABILITY TEST: 100 CYCLES MIN.
 - SPECIFICATION:
DIELECTRIC STRENGTH: AC 300V/MINUTE
INSULATOR RESISTANCE: 500 Mohm MIN.
CONTACT RESISTANCE: 40 mohm MAX.
OPERATING TEMPERATURE: -40°C~+85°C
 - UNSPECIFIED TOLERANCE: .XX ±0.25
.XXX ±0.10

PART NO		KSFP-N-PSM0-2002		
TITLE	SFP+ CONNECTOR, PITCH 0.80mm, 20 PIN SMT TYPE			
REV : 01				
UNIT	DRAWN	CHKD	DATE	SHEET
mm[inch]	CINDY	VINCENT	Jul. 05, '18	1 of 2

DWG NO KSFP-N-PSM0-2002

KinnexA, INC. 8F, No. 172, CHENG TEH ROAD SEC. 4, TAIPEI 11167, TAIWAN

PRELIMINARY RELEASE SUBJECT TO CHANGE

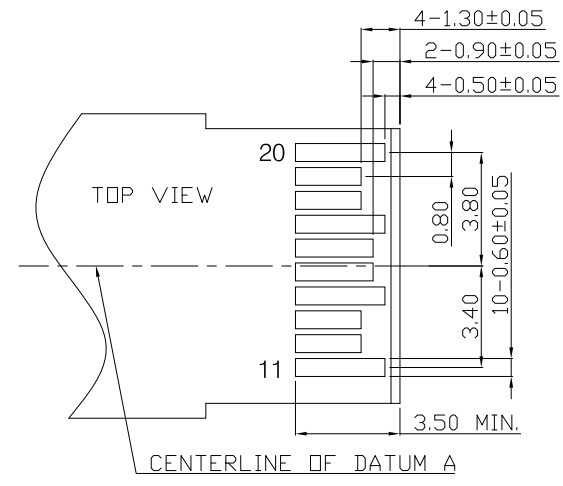
※ THIS DRAWING IS A CONTROLLED DOCUMENT ※

Connected by **KinnexA**

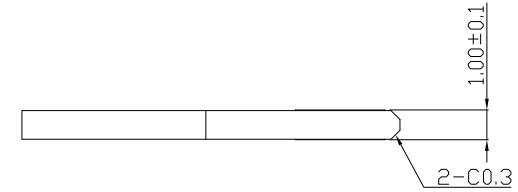
ROHS Compliant

1 2 3 4 5 6 7 8

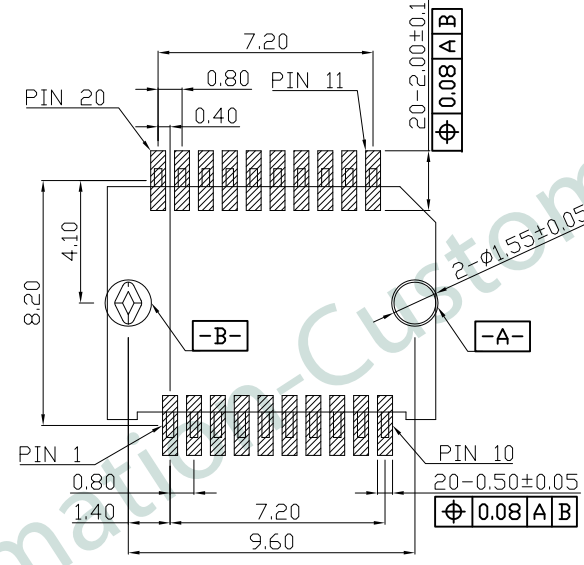
A



B

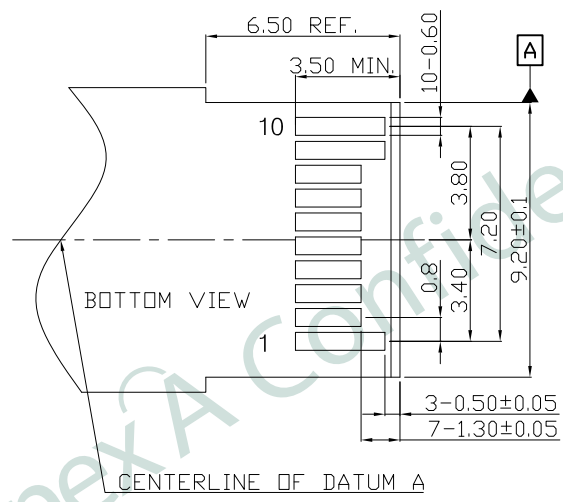


C



RECOMMENDED PCB LAYOUT (TOP VIEW)
(ALL TOLERANCES ARE ±0.05)

D



E

RECOMMENDED LAYOUT
MATING PCB SIDE

F

KSFP-N-PSM0-2002

PRODUCT: CONNECTOR
 CATEGORY: SFP+
 TERMINAL TYPE: SMT (FOR CONNECTOR)
 EMI TYPE: W/O EMI TAB
 SERIAL NUMBER
 OPTION: W/O LIGHT PIPE
 NUMBER OF PIN

PART NO		KSFP-N-PSM0-2002		
TITLE	SFP+ CONNECTOR, PITCH 0.80mm, 20 PIN SMT TYPE			
REV : 01				
UNIT	DRAWN	CHKD	DATE	SHEET
mm[inch]	CINDY	VINCENT	Jul. 05, '18	2 of 2