

# Customer Information Sheet

DRAWING No.: G125-MHXXX05L7R

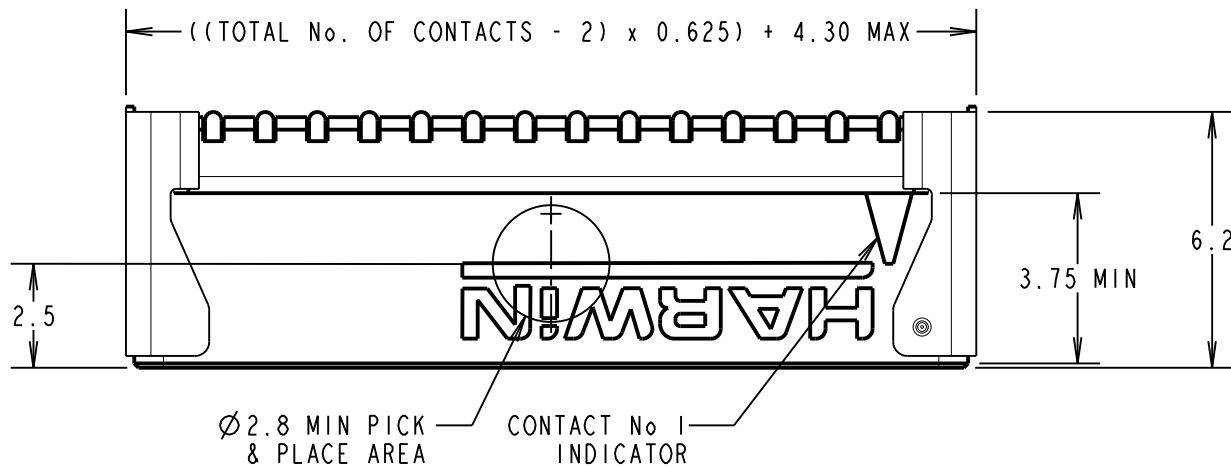
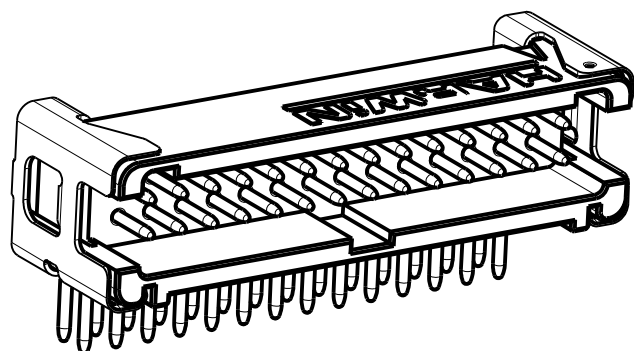
IF IN DOUBT - ASK

©

NOT TO SCALE

THIRD ANGLE PROJECTION

ALL DIMENSIONS IN mm

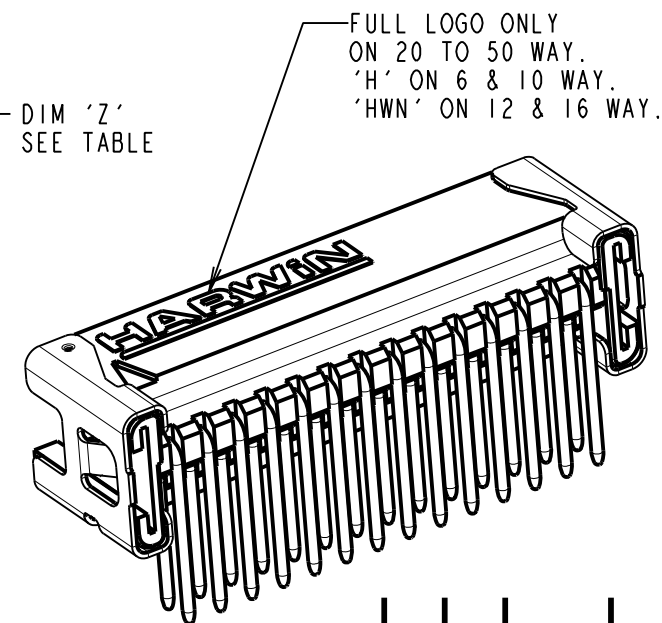
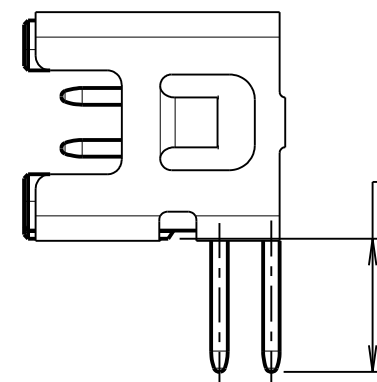
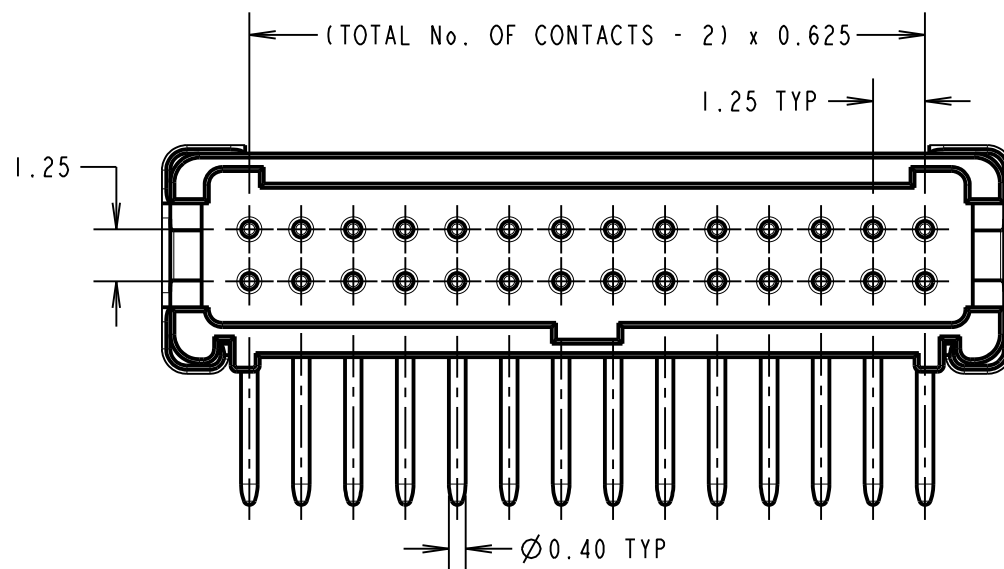
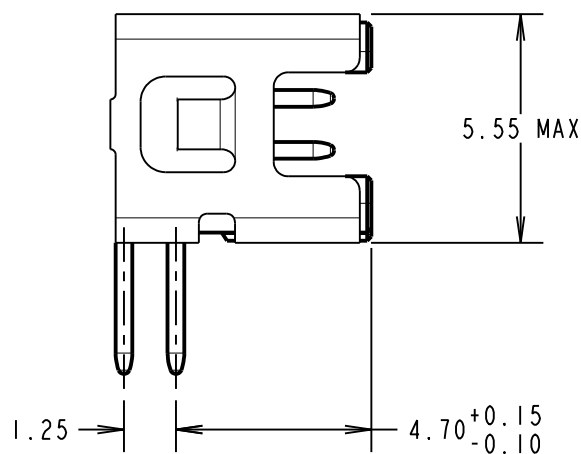


ORDER CODE:  
**G125-MHXXX05L7R**

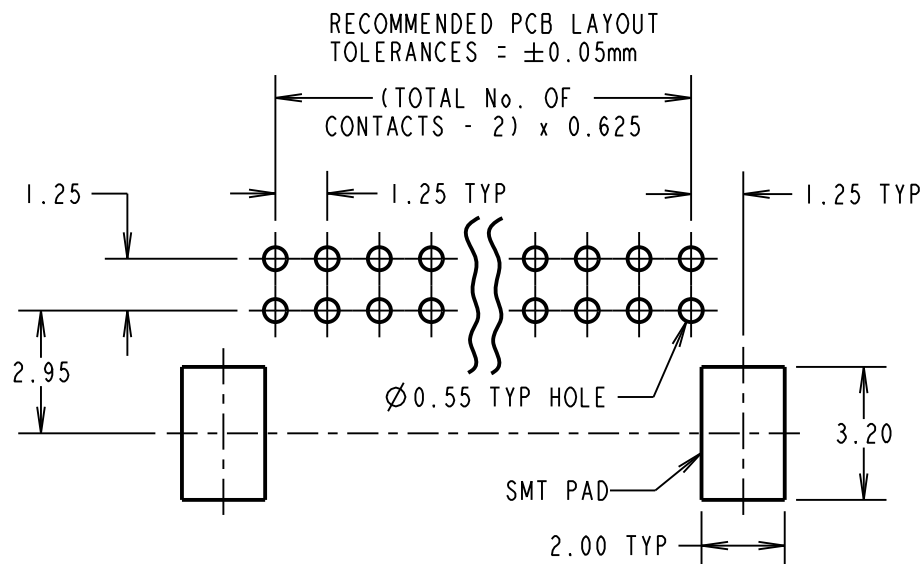
3.2mm PC-TAILS = H1  
4.7mm PC-TAILS = H2

TOTAL No. OF CONTACTS  
06, 10, 12, 16, 20,  
26, 34, 50.

CONTACT STYLE	DIM 'Z'
H1	3.2±0.15
H2	4.7±0.15



CONNECTOR DETAILS AND PCB LAYOUT ONLY.  
SEE SHEET 6 FOR TAPE AND REEL DETAILS.



NOTES:  
1. FOR COMPLETE SPECIFICATION, SEE COMPONENT SPECIFICATION C125XX (LATEST ISSUE).  
SEE G125-SERIES CONNECTORS' SPECIFICATION SHEET FOR MATERIALS, FINISH AND SPECIFICATION SUMMARY.

RTP	5	07.09.21	30825
NAME	ISS.	DATE	CN/CO
APPROVED:		R.PORTLOCK	
CHECKED:		R.ALEXANDER	
DRAWN:		MARK G PLESTED	
CUSTOMER REF.:			
ASSEMBLY DRG:			

**HARWIN**  
www.harwin.com  
technical@harwin.com

THIS DRAWING AND ANY INFORMATION OR DESCRIPTIVE MATTER SET OUT HEREON ARE CONFIDENTIAL AND COPYRIGHT PROPERTY OF THE HARWIN GROUP AND MUST NOT BE DISCLOSED, LOANED, COPIED OR USED FOR MANUFACTURING, TENDERING OR FOR ANY OTHER PURPOSE WITHOUT THEIR WRITTEN PERMISSION.

TOLERANCES  
X. = ±1mm  
X.X = ±0.50mm  
X.XX = ±0.20mm  
X.XXX = ±0.01mm  
ANGLES = ±5°  
UNLESS STATED

MATERIAL:  
SEE NOTE 1  
FINISH: SEE NOTE 1  
S/AREA: mm<sup>2</sup>

TITLE:  
G125 MALE HORIZONTAL PC TAIL  
SERIES IN TAPE & REEL  
DRAWING NUMBER:  
**G125-MHXXX05L7R**  
SHT 5 OF 6

# Customer Information Sheet

DRAWING No.: G125-MHXXX05L7R

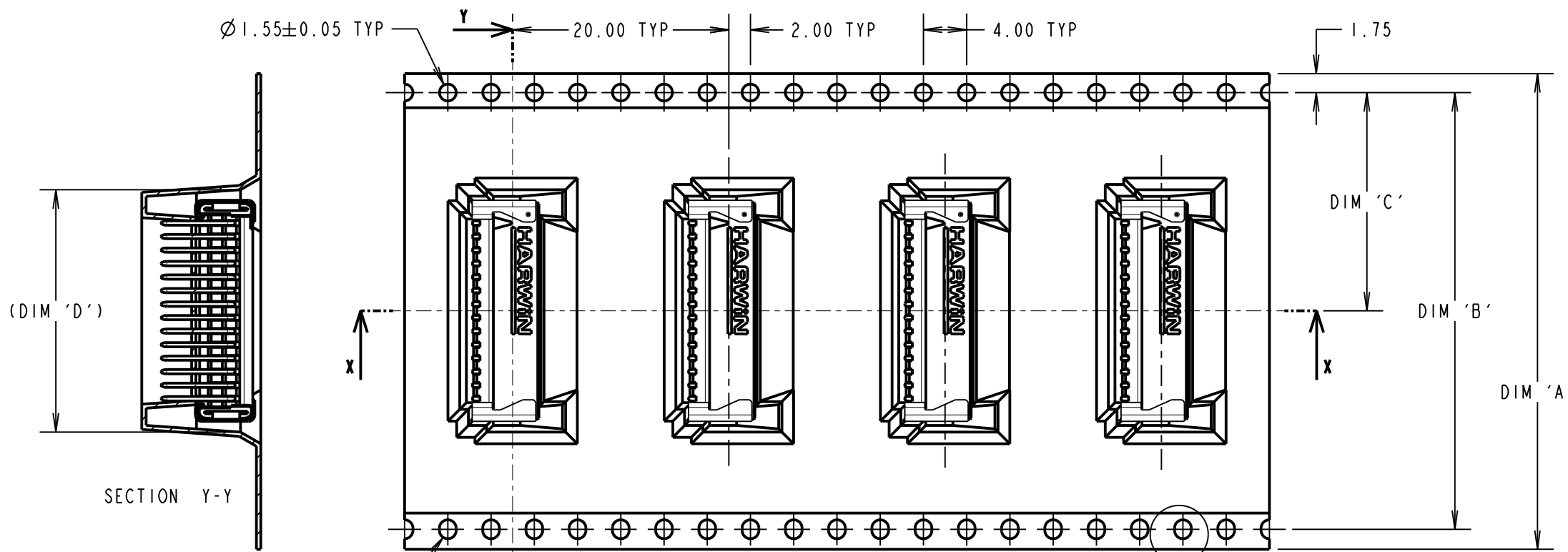
IF IN DOUBT - ASK

©

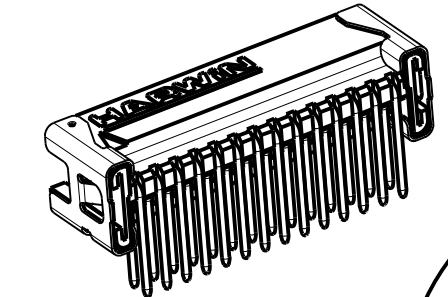
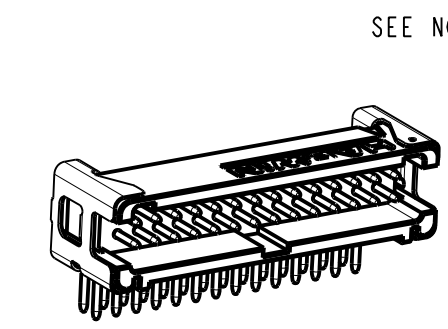
NOT TO SCALE

THIRD ANGLE PROJECTION

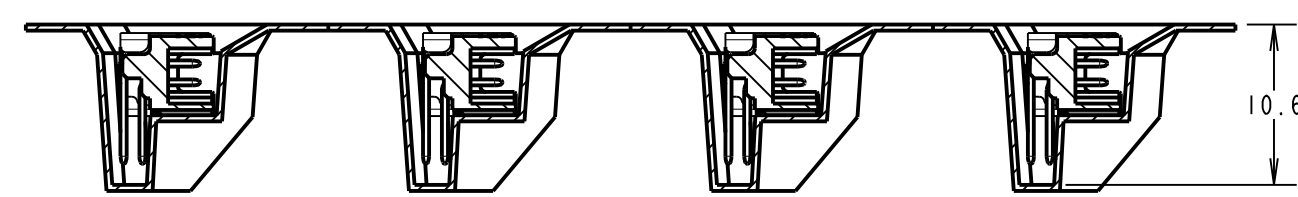
ALL DIMENSIONS IN mm



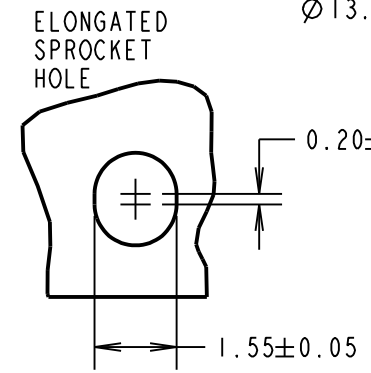
ORDER CODE:  
**G125-MHXXX05L7R**  
 3.2mm PC-TAILS = H1  
 4.7mm PC-TAILS = H2  
 TOTAL No. OF CONTACTS  
 06, 10, 12, 16, 20,  
 26, 34, 50.



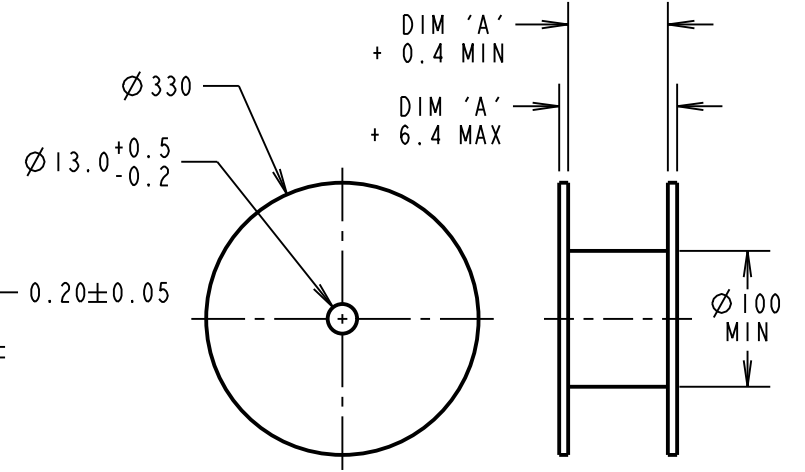
SEE NOTE 5



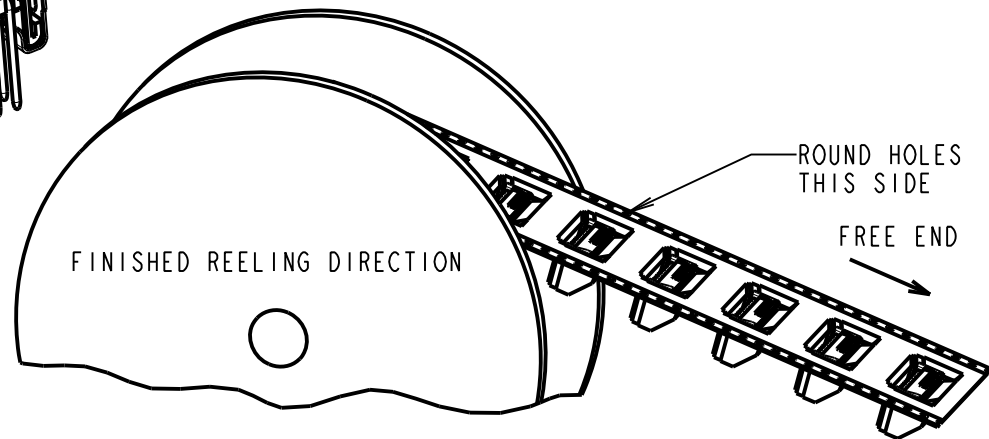
SECTION X-X



DETAIL A  
SEE NOTE 5



REEL DETAILS



PART No.	DIM 'A'	DIM 'B'	DIM 'C'	DIM 'D'
G125-MHX0605L7R	24.0	NO ELONGATED HOLE	11.50	8.5
G125-MHX1005L7R	+0.3/-0.1			11.0
G125-MHX1205L7R	32.0±0.3	28.40	14.20	12.2
G125-MHX1605L7R				14.7
G125-MHX2005L7R				17.2
G125-MHX2605L7R	44.0±0.3	40.40	20.2±0.15	21.0
G125-MHX3405L7R				26.0
G125-MHX5005L7R	56.0±0.3	52.40	26.2±0.15	36.0

RTP	5	07.09.21	30825
NAME	ISS.	DATE	CN/CO
APPROVED:		R. PORTLOCK	
CHECKED:		R. ALEXANDER	
DRAWN:		MARK G PLESTED	
CUSTOMER REF.:			
ASSEMBLY DRG:			

- NOTES:
1. QUANTITY OF COMPONENTS PER REEL = 250.
  2. FOR OTHER QUANTITIES SEE G125-MHXXX05L7P.
  3. THIS PRODUCT IS TAPED AND REELED IN GENERAL ACCORDANCE WITH EIA-481-2-A (ELECTRONIC INDUSTRIES ASSOCIATION).
  4. FOR COMPLETE SPECIFICATION, SEE COMPONENT SPECIFICATION C125XX (LATEST ISSUE).
  5. ELONGATED SPROCKET HOLE NOT PRESENT ON 06 & 10 POSITIONS.
  6. SEE SHEET 5 FOR CONNECTOR DETAILS.

**HARWIN**  
 www.harwin.com  
 technical@harwin.com

THIS DRAWING AND ANY INFORMATION OR DESCRIPTIVE MATTER SET OUT HEREON ARE CONFIDENTIAL AND COPYRIGHT PROPERTY OF THE HARWIN GROUP AND MUST NOT BE DISCLOSED, LOANED, COPIED OR USED FOR MANUFACTURING, TENDERING OR FOR ANY OTHER PURPOSE WITHOUT THEIR WRITTEN PERMISSION.

TOLERANCES  
 X. = ±1mm  
 X.X = ±0.50mm  
 X.XX = ±0.20mm  
 X.XXX = ±0.01mm  
 ANGLES = ±5°  
 UNLESS STATED

MATERIAL:  
 SEE SHEET 5  
 FINISH: SEE SHEET 5  
 S/AREA: mm<sup>2</sup>

TITLE:  
 G125 MALE HORIZONTAL PC TAIL  
 SERIES IN TAPE & REEL  
 DRAWING NUMBER:  
**G125-MHXXX05L7R**  
 SHT 6 OF 6