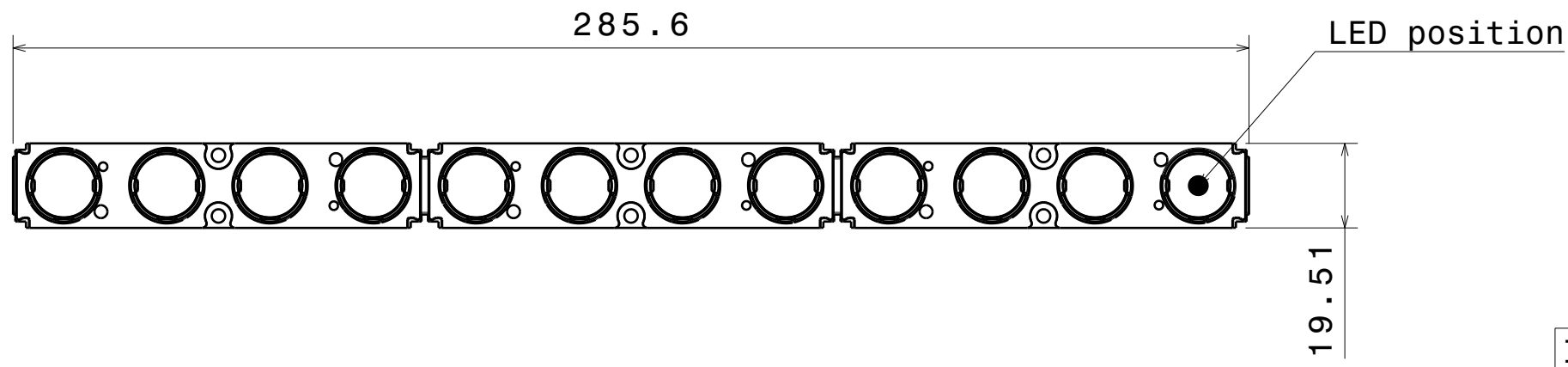
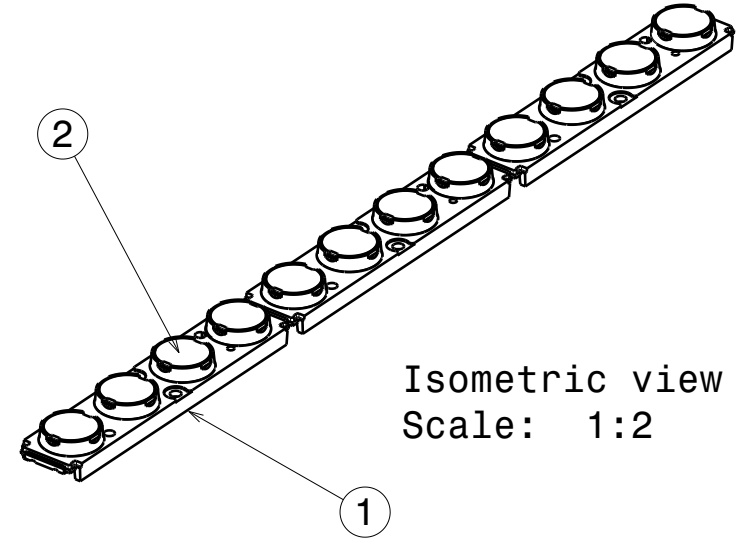
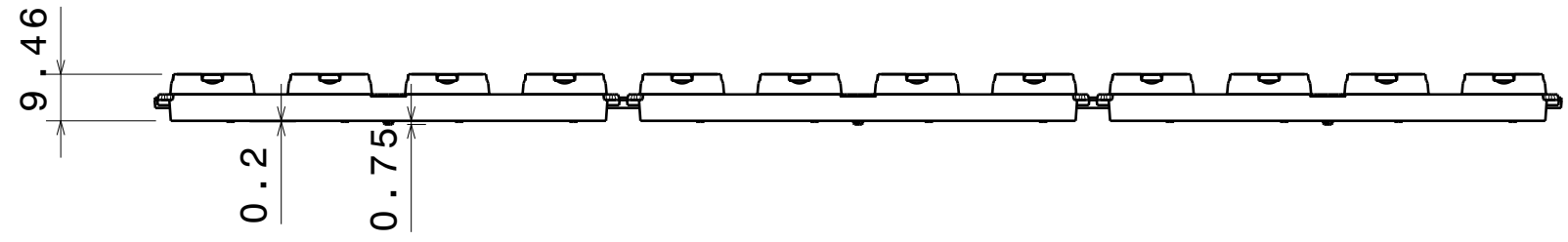
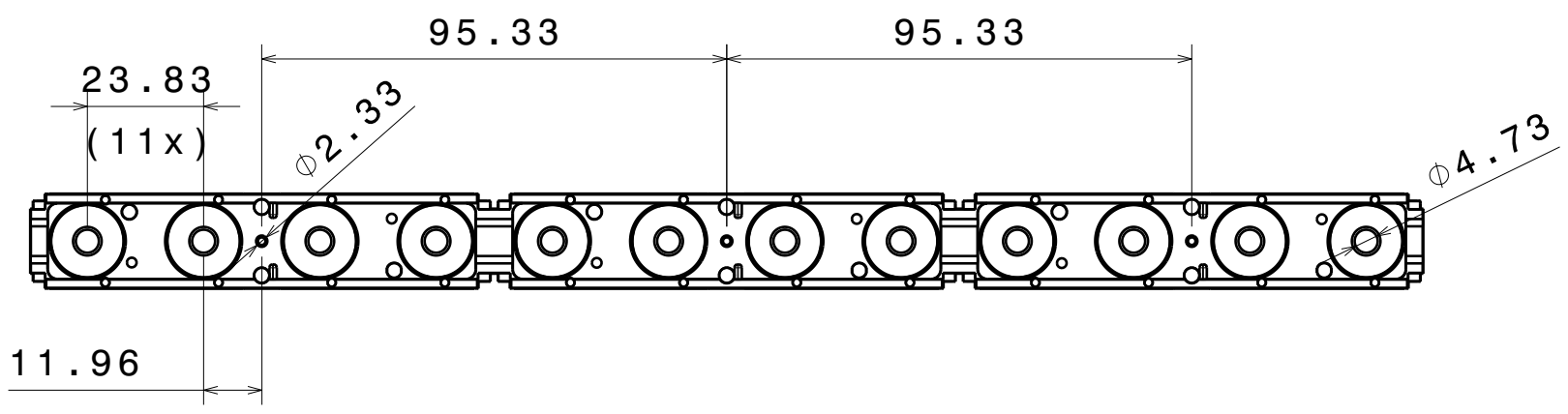


H G F E D C B A



INDEX	PART NO	DESCRIPTION	MATERIAL	COLOUR
1	C14445	FLORENTINA-HLD	PC	black
2	C12336	TINA2-SS	PMMA	clear

Tolerances if not otherwise shown  
According to DIN ISO 2768-1  
Linear measures:  
up to 30mm class M, otherwise class C  
According to DIN ISO 2768-2  
Form and position: class L

**LEDiL** LediL Oy  
Salorankatu 10  
FIN 24240 SALO  
Finland

THIRD ANGLE PROJECTION:

DRAWING TITLE  
**CP14993\_FLORENTINA-HLD-SS**

This drawing is the property of LEDiL Oy. It may not be reproduced, copied or communicated without a written agreement with LEDiL Oy.

SIZE	PART NUMBER
<b>A3</b>	<b>CP14993</b>

SCALE	2:3	WEIGHT	26,6 g	SHEET	1/1
-------	-----	--------	--------	-------	-----

H G B A