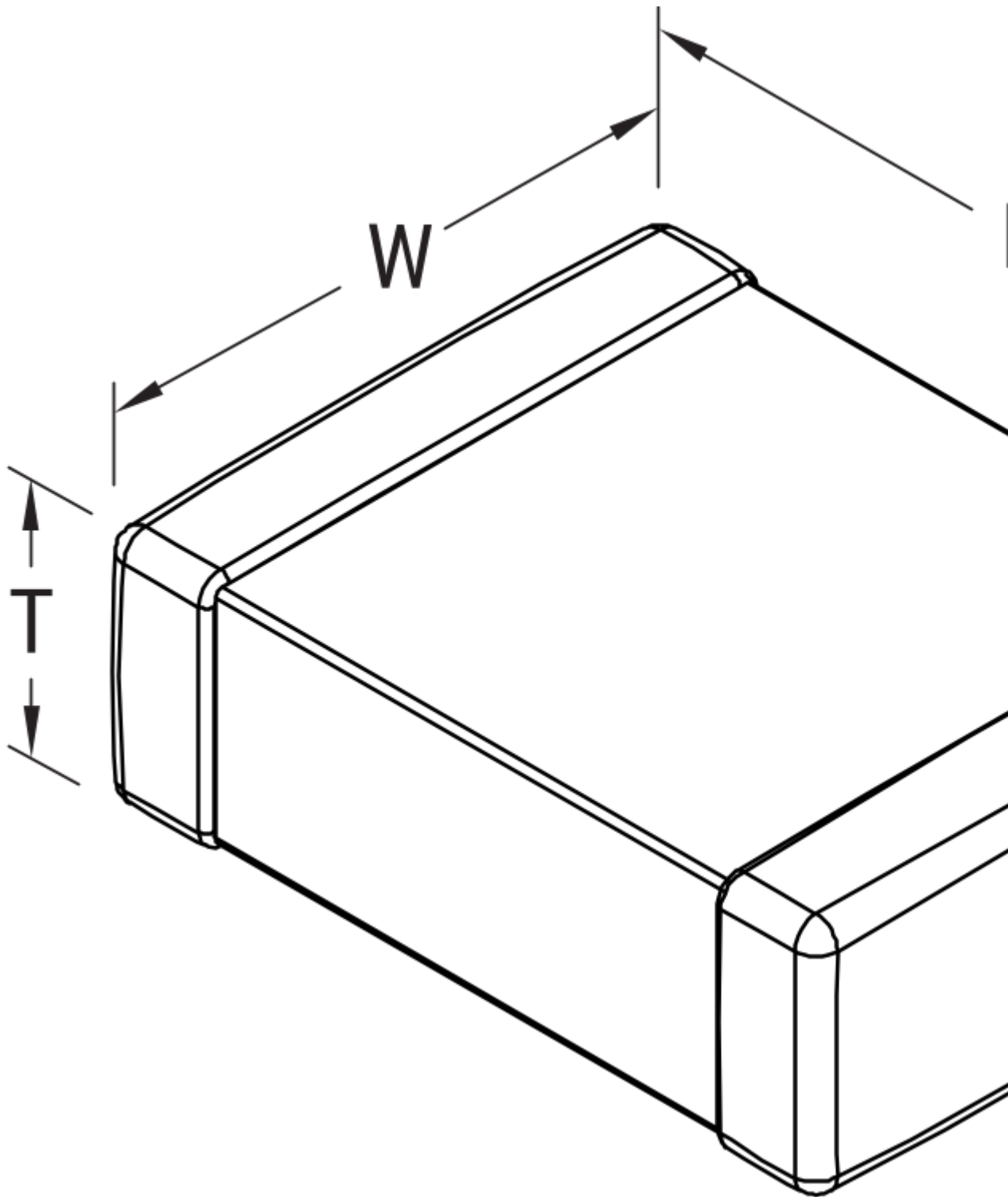


# C1206C683G5GECAUTO

ESD SMD Auto C0G, Ceramic, 0.068  $\mu$ F, 2%, 50 VDC, C0G, SMD, MLCC, Temperature Stable, Electro Static Discharge, Automotive Grade, 1206



Click [here](#) for the 3D model.

## Dimensions

Chip Size 1206

L	3.2mm +/-0.2mm
W	1.6mm +/-0.2mm
T	1.6mm +/-0.20mm

### Dimensions

B 0.5mm +/-0.25mm

### Packaging Specifications

Packaging T&R, 180mm, Plastic Tape

Packaging Quantity 2000

### General Information

Series ESD SMD Auto C0G  
Style SMD Chip  
Description SMD, MLCC, Temperature Stable, Electro Static Discharge, Automotive Grade  
Features Temperature Stable, Automotive Grade  
RoHS Yes  
Termination Tin  
Marking No  
Qualifications AEC-Q200  
AEC-Q200 Yes  
Component Weight 36 mg  
Shelf Life 78 Weeks  
MSL 1

### Specifications

Capacitance 0.068 uF  
Measurement Condition 1 kHz 1.0Vrms  
Capacitance Tolerance 2%  
Voltage DC 50 VDC  
ESD Level per AEC-Q200 25,000 V ESD Level  
Dielectric Withstanding Voltage 125 VDC  
Temperature Range -55/+125°C  
Temperature Coefficient C0G  
Capacitance Change with Reference to +25°C and 0 VDC Applied (TCC) 30 ppm/C, 1kHz 1.0Vrms  
Dissipation Factor 0.1% 1 kHz 1.0Vrms  
Aging Rate 0% Loss/Decade Hour  
Insulation Resistance 14.7059 GOhms

Statements of suitability for certain applications are based on our knowledge of typical operating conditions for such applications, but are not intended to constitute - and we specifically disclaim - any warranty concerning suitability for a specific customer application or use. This Information is intended for use only by customers who have the requisite experience and capability to determine the correct products for their application. Any technical advice inferred from this Information or otherwise provided by us with reference to the use of our products is given gratis, and we assume no obligation or liability for the advice given or results obtained.

Generated 5/18/2023 - 2d5961f7-c459-4e66-8ee7-c0fde962e126

© 2006 - 2023 KEMET

Generated 5/18/2023 - 2d5961f7-c459-4e66-8ee7-c0fde962e126

© 2006 - 2023 KEMET