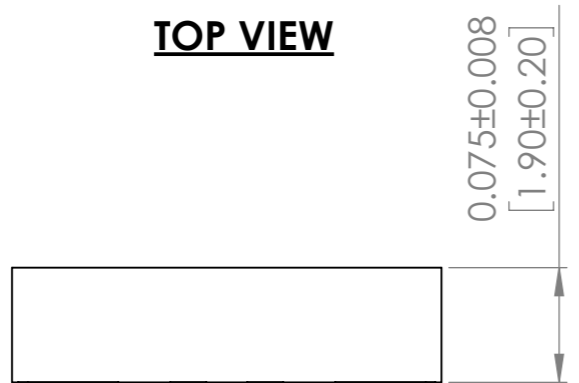
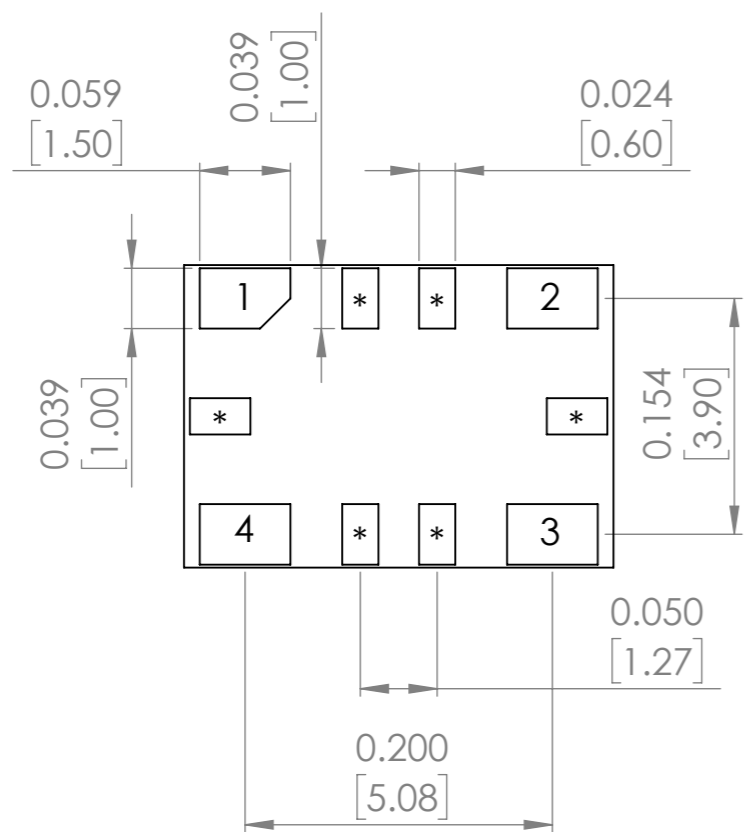


TOP VIEW



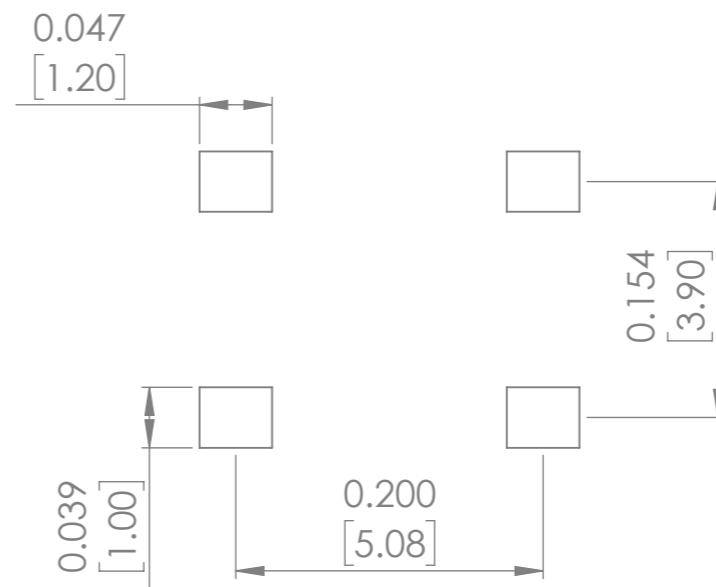
FRONT VIEW



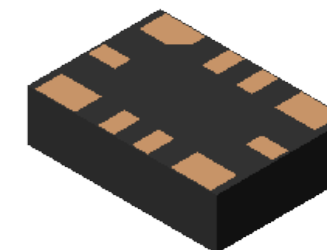
BOTTOM VIEW

DIMENSIONS: INCHES[MM]

RECOMMENDED LAND PATTERN



Pin	Function
1	NC
2	GND
3	Output
4	V _{dd}
*	For factory test only



TOP PACKAGE MARKING IS FOR ILLUSTRATION PURPOSES ONLY

DO NOT SCALE DRAWING		REVISION -	
5101 Hidden Creek Lane, Spicewood Texas-78669			
TITLE:			
DWG NO.		AST3TQ	
		A3	
SCALE: 8:1		SHEET 1 OF 1	