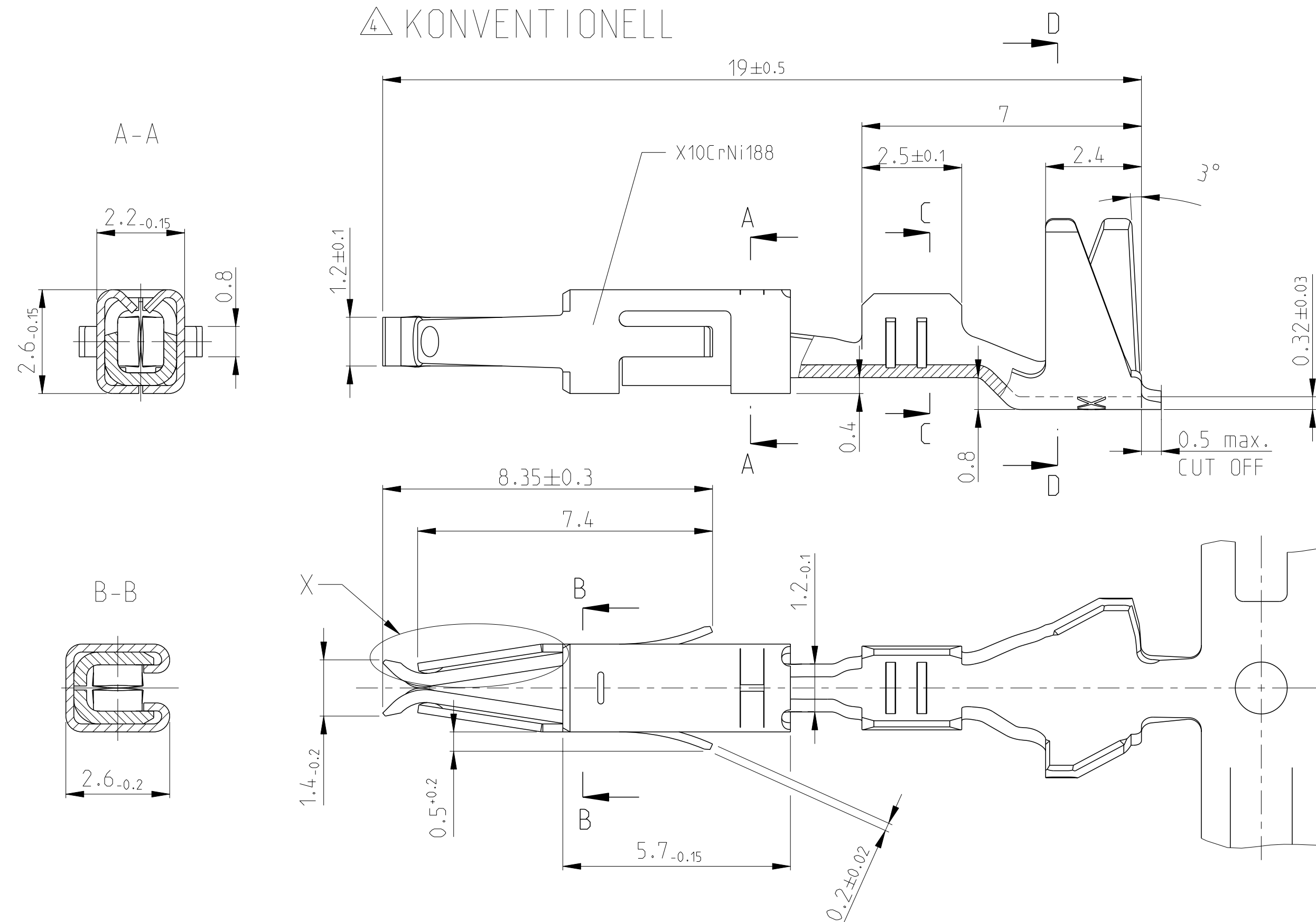


4
3
2
1
D
C
B
A
printed on 21 Sep 2022 15:58 (Mitteleurop from TE220462)

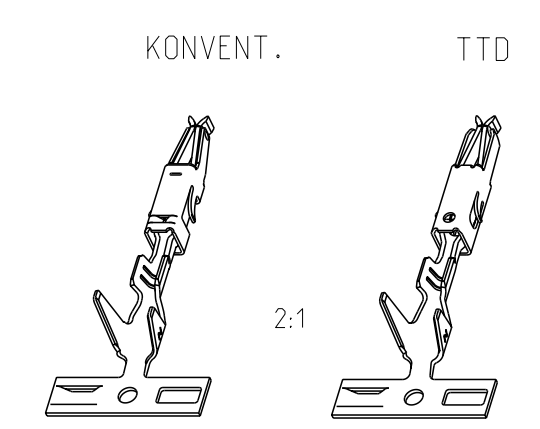
THIS DRAWING IS UNPUBLISHED. RELEASED FOR PUBLICATION
 © COPYRIGHT - ALL RIGHTS RESERVED.

LOC	DIST	REVISIONS			
P	LTR	DESCRIPTION	DATE	DWN	APVD
A1	-				
N4		OPTIONAL to note 5 TTD added. (area A3)	29JUN2011	Kirs	Mair
N5		PRODUCT SPEC CORRECTED	23JUN2014	Ho.	Eder
N6		ECR-15-012070	13AUG2015	JB JH	BK
N7		ECR-22-153377	21SEP2022	FRAN	SCHI

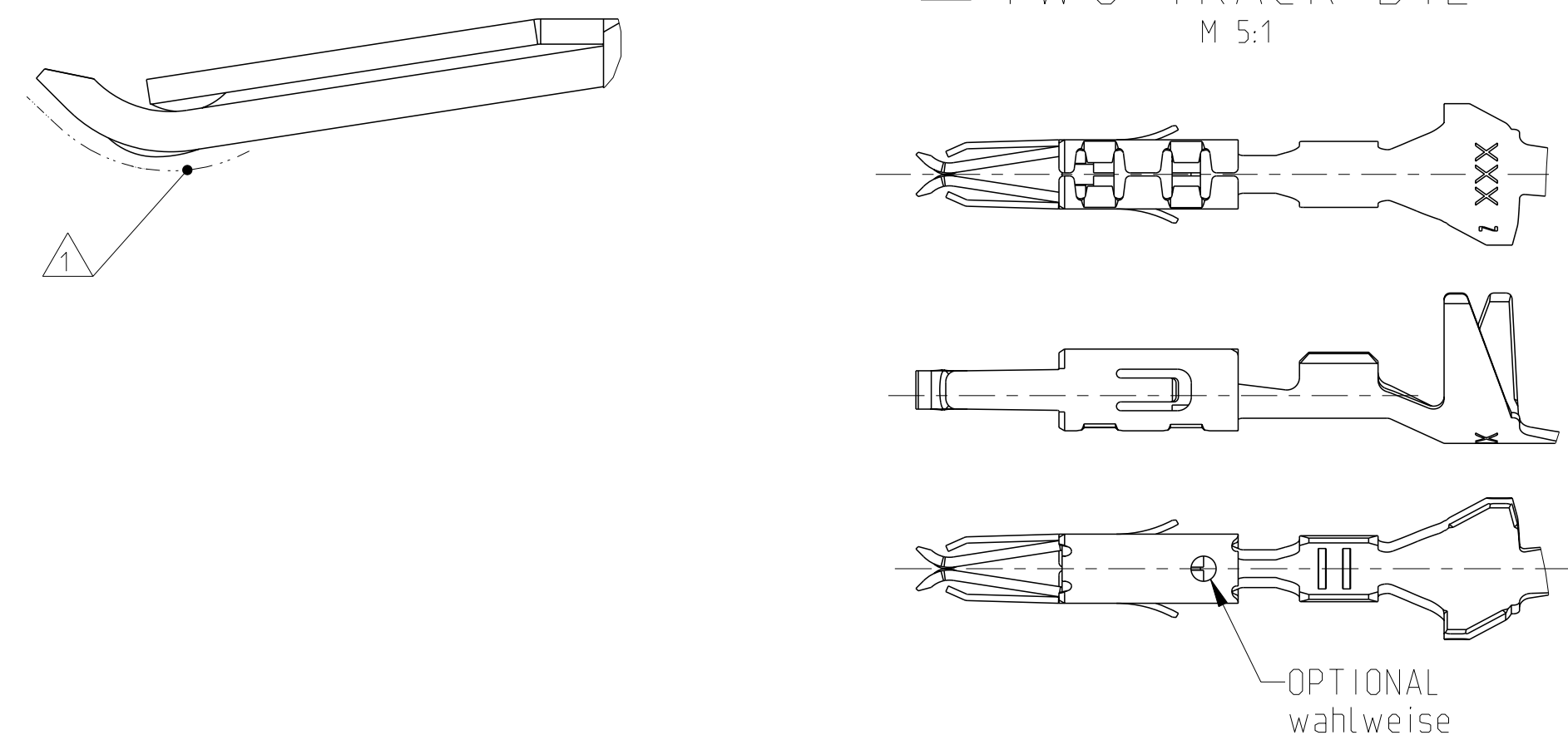
4 KONVENTIONELL



- 1 SELECTIVE GOLD PLATED MIN. 0.8 µm OVER NI
selektiv vergoldet 0.8 µm ueber Ni
- 2 TIN PLATED MIN. 0.2 µm OVER NI
verzinkt 0.2 µm ueber Ni
- 3 WIRE RANGE : 0.2 - 0.5 mm²
INSULATION-Ø: 2.8 mm (SINGLE WIRE SEAL)
Drahtgroessenbereich: 0.2 - 0.5 mm²
Isolations-Ø: 2.8 mm (Einzeldichtung)



5 TWO TRACK DIE
M 5:1



N7

VERSION	SURFACE / Oberflaeche	MATERIAL	PART NO	REV
4 5	1 2	CuFe2	962875-5	N
4 5	1 2	CuSn4	962875-3	N
4 5	PRETIN / vorverzinkt	CuFe2	962875-2	N
4 5	PRETIN / vorverzinkt	CuSn4	962875-1	N

THIS DRAWING IS A CONTROLLED DOCUMENT.

DWN R.Hofer 05-JAN-89	 TE Connectivity MICRO TIMER 2 CONTACT WITH DOUBLE LOCKING LANCE mit doppelter Rastfeder
CHK L.Nix 05-APR-89	
APVD M.Bleicher 25-JUN-08	
PRODUCT SPEC 108-18055	
MATERIAL -	APPLICATION SPEC 114-18081
DIMENSIONS: mm	WEIGHT 0.3 g
TOLERANCES UNLESS OTHERWISE SPECIFIED:	Customer Drawing
0-PLC ±	SCALE 10:1
1-PLC ±	SHEET 1 OF 1
2-PLC ±0.2	REV N7
3-PLC ±	
4-PLC ±	
ANGLES ±2°	
FINISH	