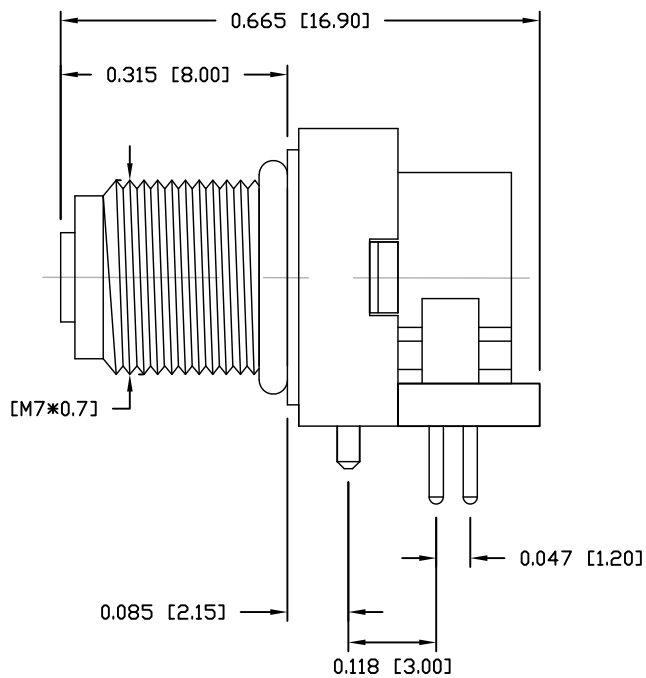
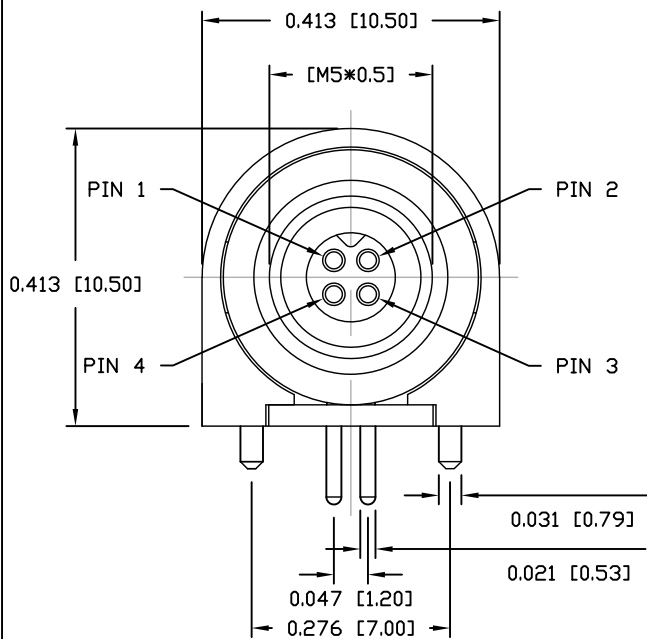


DESCRIPTION: M5 FEMALE - RIGHT ANGLE - 4 POSITION



NOTE:

MATERIAL

HOUSING: PBT UL94V-0, BLACK
 CONTACT: BRASS
 NUT: BRASS
 O-RING: NBR, BLACK
 BACK HOUSING: PBT UL94V-0, BLACK
 DOWN HOUSING: PBT UL94V-0, BLACK

FINISH

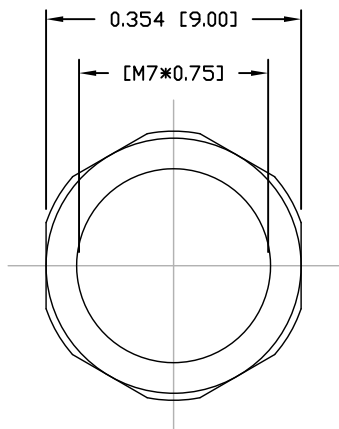
CONTACT: GOLD PLATED
 UNDER PLATE: NICKEL
 NUT: NICKEL

ELECTRICAL:

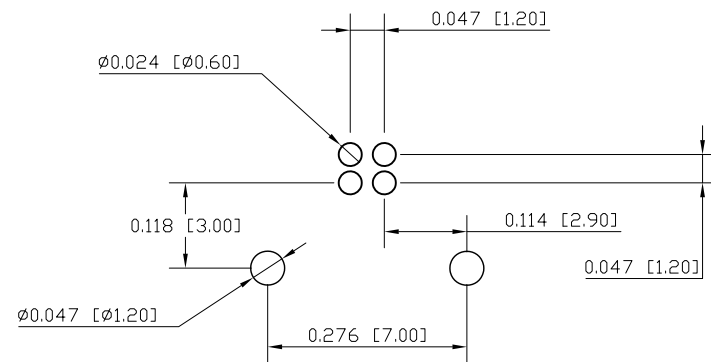
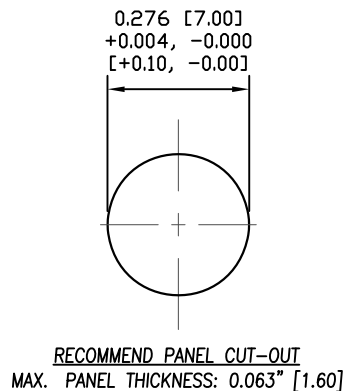
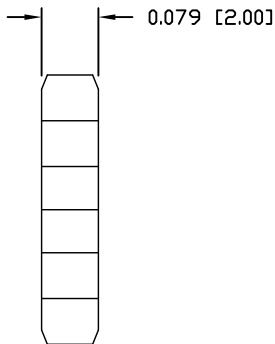
RATED CURRENT: 1A
 RATED VOLTAGE: 60V
 INSULATION RESISTANCE: 100 MΩhms MIN.
 CONTACT RESISTANCE: 10 mΩhms MAX.
 WATER PROOF: IP67
 ENVIRONMENT:
 OPERATION TEMPERATURE: -40°C TO +85°C

853-004-213R00Y

1 = GOLD FLASH
 4 = 10μ" GOLD



NUT



RECOMMENDED PCB LAYOUT

RoHS COMPLIANT

UNITS = INCHES [MM]

DO NOT SCALE FROM DRAWING



THESE DRAWINGS AND SPECIFICATIONS ARE THE PROPERTY OF NorComp AND SHALL NOT BE REPRODUCED, COPIED OR USED AS THE BASIS FOR THE MANUFACTURE OR SALE OF APPARATUS WITHOUT WRITTEN PERMISSION.

DRAWN:

M. SIGMON

DATE:

03-04-16

NorComp

SCALE:

NTS

SHEET

1

OF

1

REV

9

DWG NO.

853-004-213R00Y