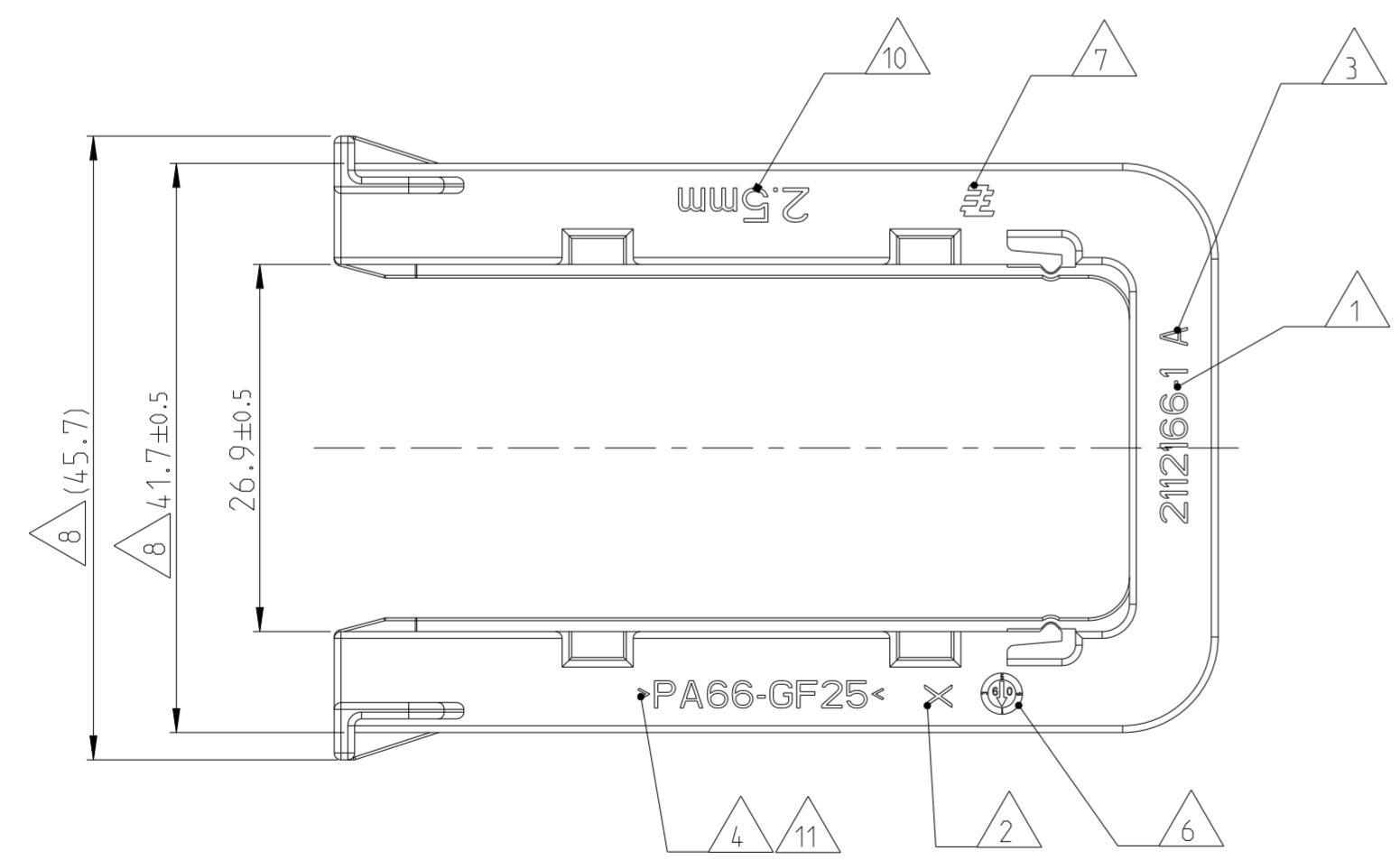
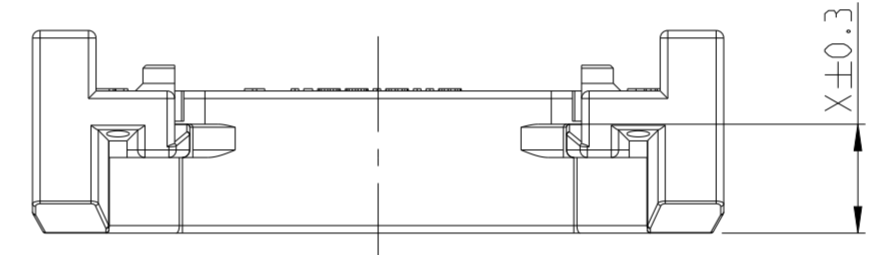
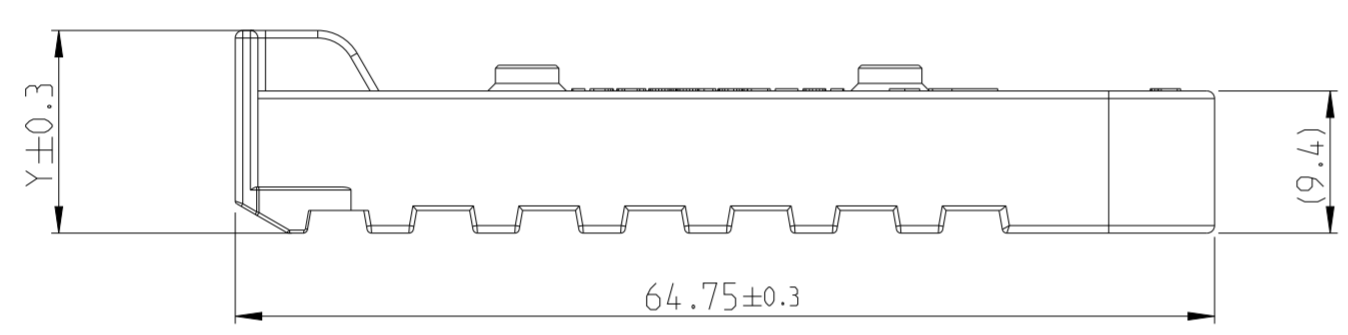
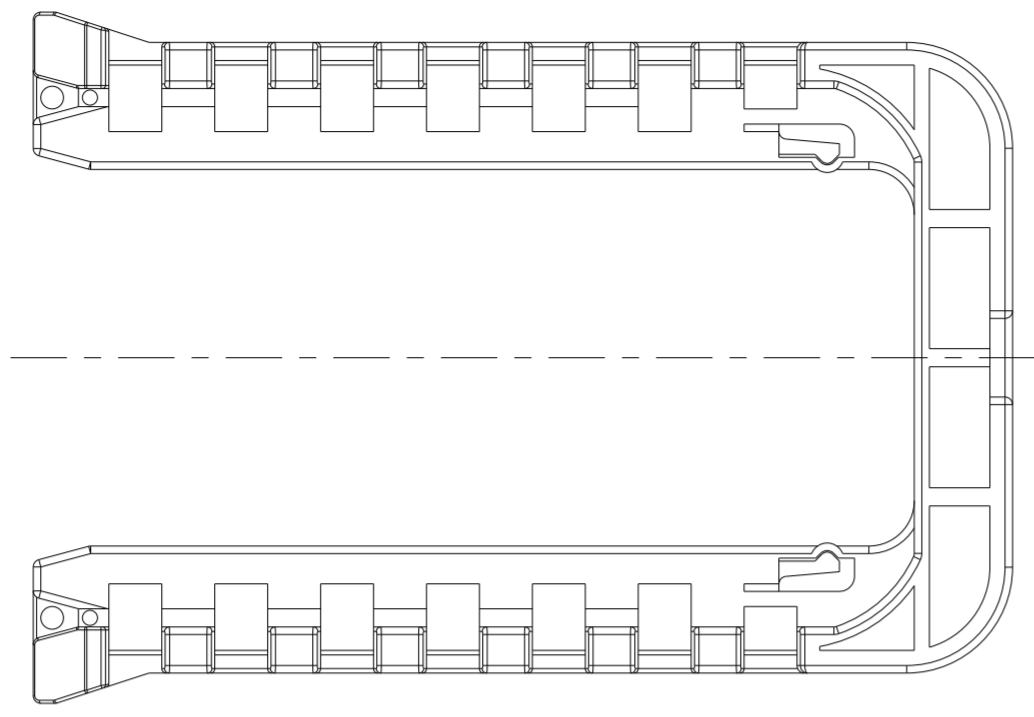
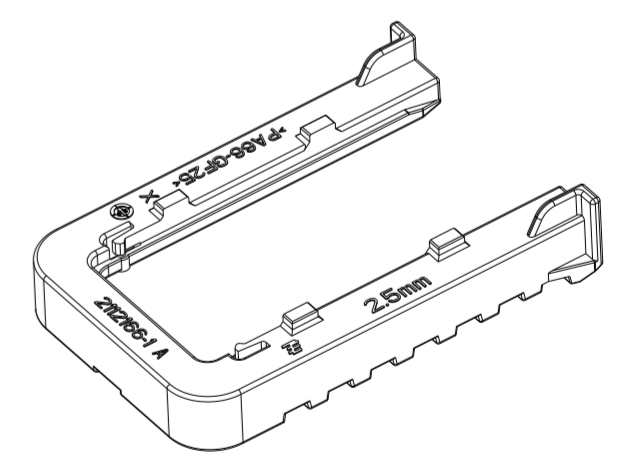


REVISIONS					
P	LTR	DESCRIPTION	DATE	DWN	APVD
	A	NEW DRAWING CREATED	17SEP2009	NP	Ch E
	A1	NEW VARIANTS ADDED SEE PCN: E-10-020858	08OCT2010	NP	Ch E
	A2	PCN-21-121785	29NOV2021	DRK	AW

0-2112166-1 AS SHOWN
1-2112166-1 wie gezeigt



- NOTES
Bemerkungen
- 1 TE ORDER-NO.
TE Bestell-Nr.
 - 2 PRODUCTION DATE
Produktionsdatum
 - 3 LETTER-INSERT FOR THE REVISION STATUS OF THE MOULD
Schriftsatz fuer Aenderungszustand des Werkzeuges
 - 4 MATERIAL MARKING ACCORDING TO VDA 260
Werkstoffkennzeichnung nach VDA 260
 - 5 BULK PACKAGING IN CORRUGATED BOX
Schuetzgut im Versandkarton
 - 6 MOULD CAVITY MARKING
Nestmarkierung
 - 7 TE LOGO
TE Logo
 - 8 WARPAGE PERMITTED UP TO -2mm FROM NOMINAL SIZE
Verzug zulaessig bis -2mm vom Nennmass
 - 9 SUITABLE FOR TAB HOUSING WITH FLANGE
SEE 2112162
Passend zu Flachsteckergehaeusen mit Flansch
siehe 2112162
 - 10 MARKING FOR SUITABLE SHEET METAL THICKNESS (NOMINAL SIZE)
Kennzeichnung fuer passende Blechstaecke (Nennmass)
 - A2 11 ALTERNATE MATERIAL PBT-GF30 V0 WILL BE SHOWN ON PART
WITH MATERIAL MARKING
Alternativ Material PBT-GF30 V0 wird durch die
Materialkennzeichnung angezeigt



REV.	SHEET METAL THICKNESS Blechdicke	DIM X	DIM Y	MAT.	COLOUR Farbe	DESCRIPTION Beschreibung	ITEM
-	-	-	-	-	-	SLIDE, FOR 1.5mm SHEET METAL Schieber, fuer Blech 1.5mm Dicke	5
-	-	-	-	-	-	SLIDE, FOR 1mm SHEET METAL Schieber, fuer Blech 1mm Dicke	4
2112166-3	3.5 ± 0.1mm	6.2	12.4	11 PA66-GF25/V-0	GREY grau	SLIDE, FOR 3.5mm SHEET METAL Schieber, fuer Blech 3.5mm Dicke	3
2112166-2	3 ± 0.1mm	6.7	12.9	11 PA66-GF25/V-0	YELLOW gelb	SLIDE, FOR 3mm SHEET METAL Schieber, fuer Blech 3mm Dicke	2
2112166-1	2.5 ± 0.1mm	7.2	13.4	11 PA66-GF25/V-0	RED rot	SLIDE, FOR 2.5mm SHEET METAL Schieber, fuer Blech 2.5mm Dicke	1

THIS DRAWING IS A CONTROLLED DOCUMENT.

DIMENSIONS:
mm

TOLERANCES UNLESS OTHERWISE SPECIFIED:
ACC. TO DIN ISO 8015
ACC. TO DIN 16901-140

1 PLC
2 PLC
3 PLC
4 PLC
ANGLES ±2°

MATERIAL
SEE TABLE
material_2

FINISH
SEE TABLE
finish_spec_2

DWN N. Pfaffmann 17SEP2009	NAME SLIDE, FOR 21POS. Schieber, fuer 21pol. Flachsteckergehaeuse	SIZE A2	CAGE CODE 00779	DRAWING NO C-2112166	RESTRICTED TO -
CHK F. Eltrop 18SEP2009					
APVD Ch. Eberwein 19SEP2009	APPLICATION SPEC 114-18376	WEIGHT 7.9g	SCALE 2:1	SHEET 1 OF 1	REV A2

