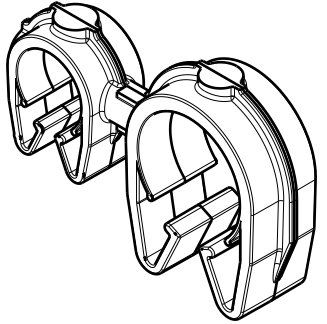
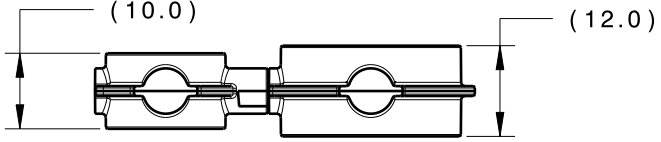
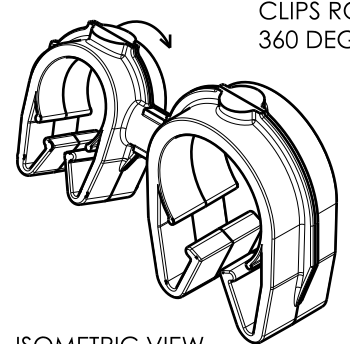
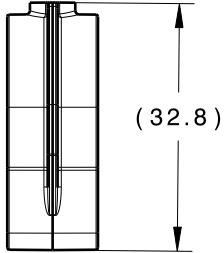
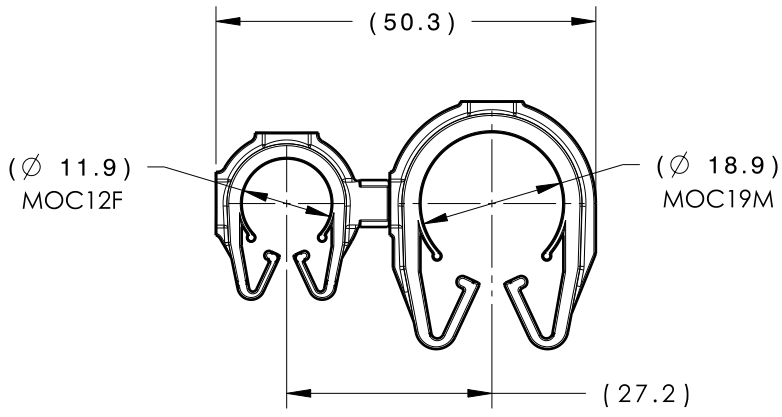


Revision Level			Revision Record	Changed	Date	Approved	Date
Drawing	State	Part					
02.1	Design Release		SEE ECN# 015332	EJH	8/1/19	NHK	8/1/19



ISOMETRIC VIEW



CLIPS ROTATE 360 DEGREES

ISOMETRIC VIEW ROTATED

TYPE	MOC12F	MOC19M
HARNESS	11.5MM-13.0MM	17.0MM-20.0MM
HOSE	10.5MM-13.0MM	17.0MM-20.0MM
HARD PIPE/TUBE	12.0MM-13.8MM	19.0MM-21.8MM

*RECOMMENDED SIZES MAY DIFFER DEPENDING ON THE APPLICATION, PRODUCT REQUIREMENTS AND MATERIALS USED

**PATENT: US D822.476S, EU 003864313, CN 304373914 S

GLOBAL PART DESCRIPTION	MOC12F			MOC19M		
	DRAWING	MATERIAL	COLOR	DRAWING	MATERIAL	COLOR
MOC12FMOC19M-PA66HIRHSUV-BK	16-0319-000-CSU	PA66HIRHSUV	BLACK	16-0322-000-CSU	PA66HIRHSUV	BLACK

Material SEE CHART COLOR: SEE CHART	Units millimeters	The copyright of this drawing is reserved by HellermannTyton. It is issued on condition that it is not reproduced, copied or disclosed to a third party, either wholly or in part, without the consent of HellermannTyton.	Drawn	TAT	2/22/17	Article/Type-No	MOC12FMOC19M	Scale	1:1
	Tolerance defined on each dimension		Approved	EJH	2/28/17	Title	12MM MOC COUPLED TO A 19MM MOC	Project Number	16-0326
			HellermannTyton			Drawing-No	PRODUCTION : Phase	Format	AH
						16-0326-367-CSU		Sheet	1/1

North America
Email: corp@htamericas.com
Web: www.hellermann.tyton.com