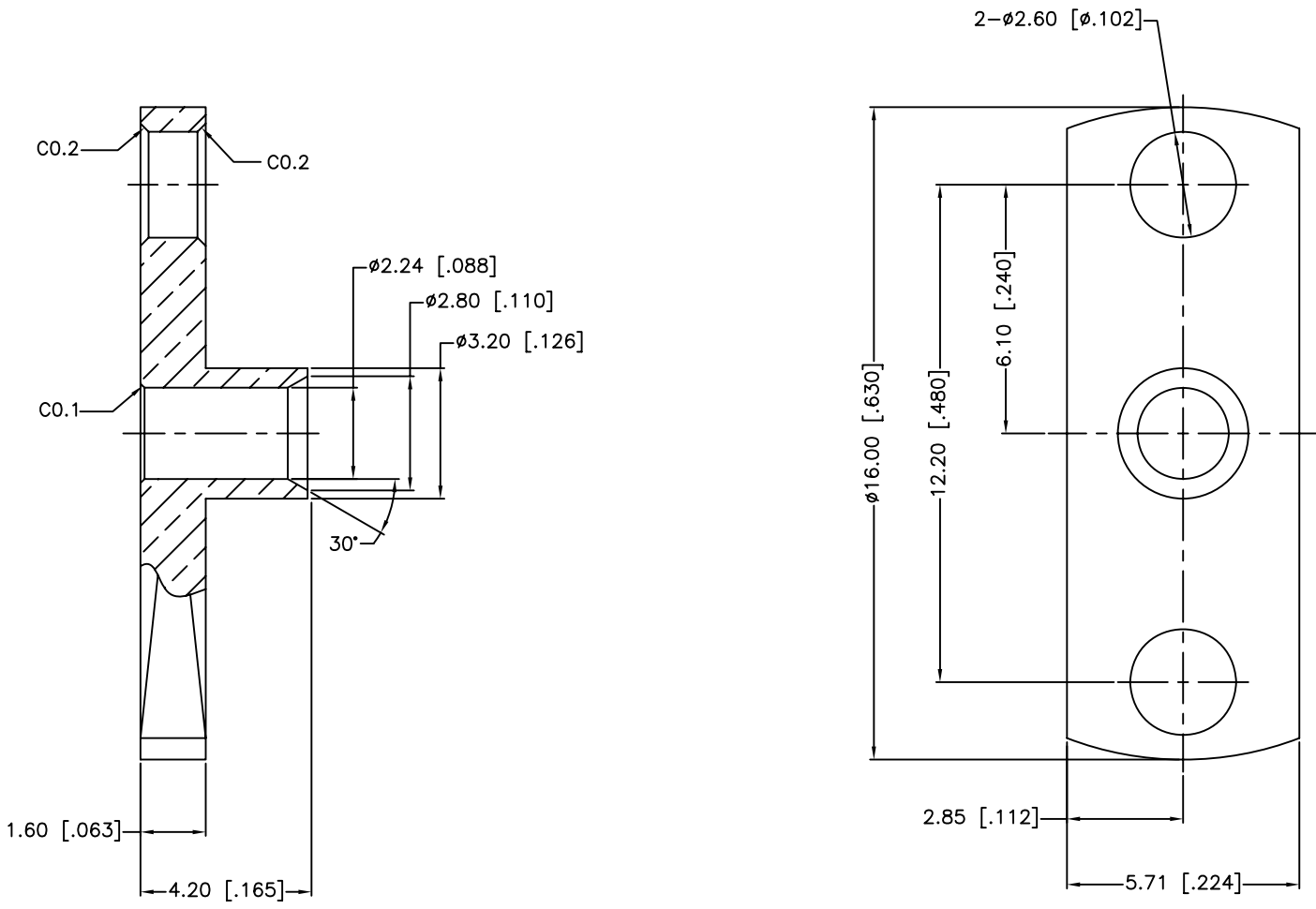


REV.	DATE	ECR NO.	DESCRIPTION
NC	06/07/00	XXXXXX	INITIAL RELEASE
A	03/30/11	2156	UPDATE DRAWING FORMAT



NOTE: GOLD PL. 3 MIN. THICK OVER NICKEL PL. 100 MIN. THICK OVER COPPER STRIKE

UNLESS OTHERWISE SPECIFIED DIMENSIONS ARE IN MILLIMETERS. DIMENSIONS IN [] ARE IN INCHES AND FOR CUSTOMER REFERENCE ONLY.

UNLESS OTHERWISE SPECIFIED TOLERANCES FOR MILLIMETERS ARE:
0.5 - 8mm ± 0.20mm
8 - 30mm ± 0.40mm
30 - 120mm ± 0.50mm

UNLESS OTHERWISE SPECIFIED TOLERANCES FOR INCHES ARE:
.020 - .315 = ± 0.007"
.315 - 1.180 = ± 0.015"
1.180 - 4.724 = ± 0.020"

DO NOT SCALE DRAWING

APPROVALS	DATE
DRAWN M.ZHANG	03/28/11
CHECKED	
ISSUED	
SHEET 1 OF 1	
CAD FILE	C:/CONNEX/142294.DWG

Amphenol Connex			
PART DESCRIPTION TERMINATION 2 HOLE FLANG (.085 SEMI RIGID CABLE)			
PART NO. 142294			
DWG. NO.	142294.DWG	REV.	A
SIZE	A	SCALE	NA

1	BODY	BRASS	GOLD	1
DESCRIPTION	MATERIAL	FINISH	QTY	