

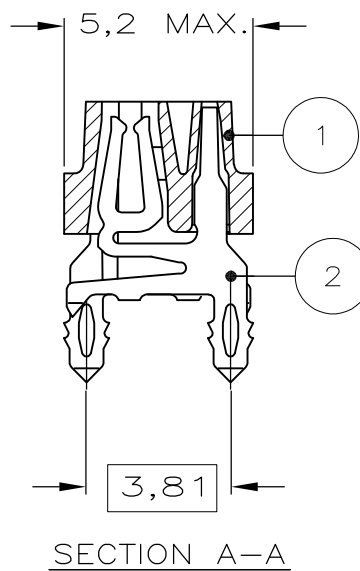
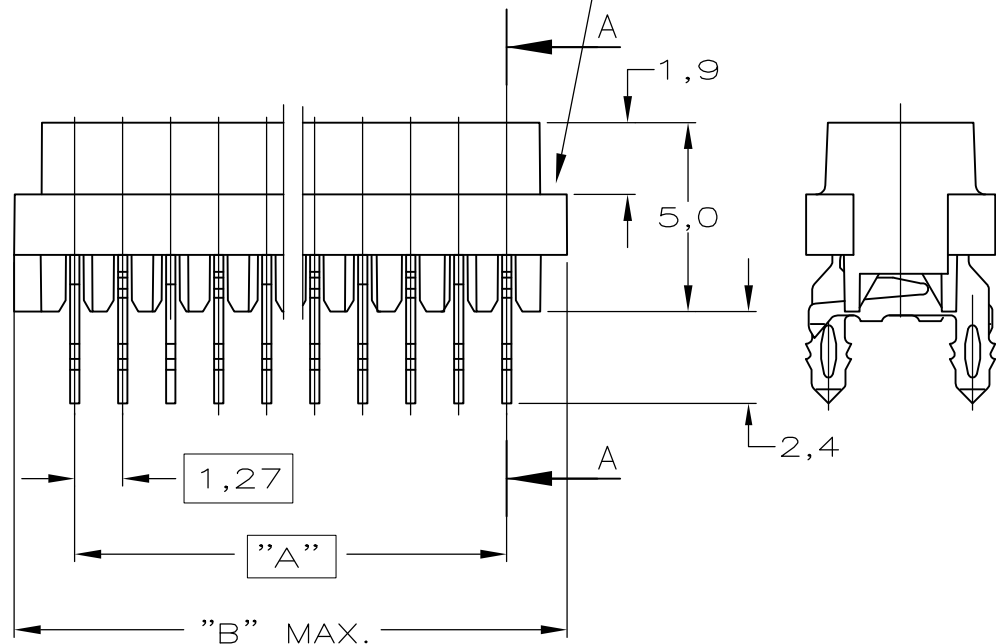
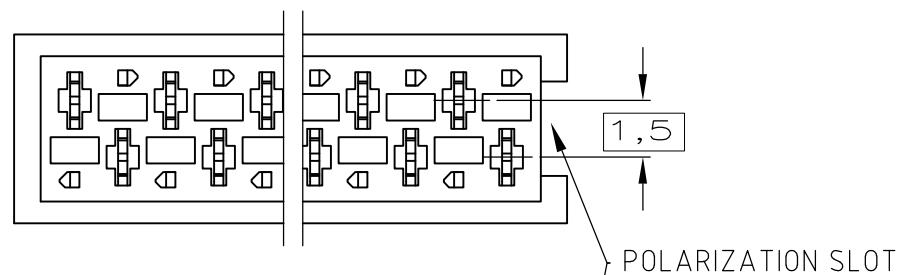
THIS DRAWING IS UNPUBLISHED.

RELEASED FOR PUBLICATION

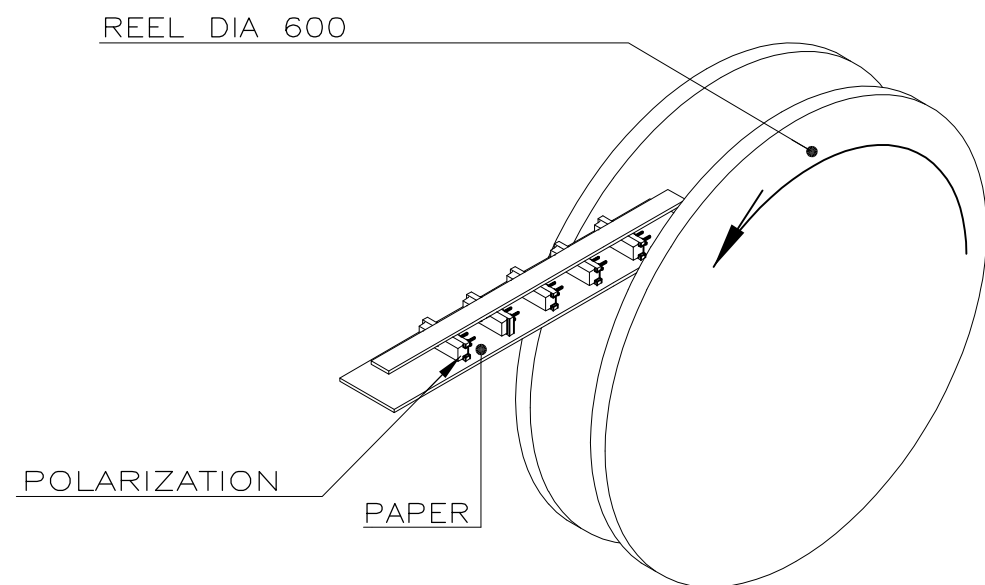
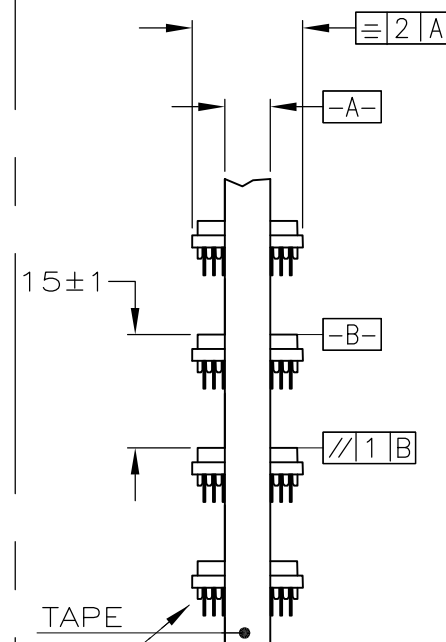
© COPYRIGHT - By -

ALL RIGHTS RESERVED.

LOC	DIST	REVISIONS					
		P	LTR	DESCRIPTION	DATE	DWN	APVD
-	-		G1	Adhesive tape width changed back to 6 mm	09FEB2016	SS	PS



	PART NUMBER REEL PACKAGING	NUMBER OF POSITIONS	"A"	"B" MAX.
OBSOLETE	-0-100411-4-	4	3,81	7,1
OBSOLETE	-0-100411-6-	6	6,35	9,7
	0-100411-8	8	8,89	12,2
OBSOLETE	-1-100411-0-	10	11,43	14,7
OBSOLETE	-1-100411-2-	12	13,97	17,3
OBSOLETE	-1-100411-4-	14	16,51	19,8
OBSOLETE	-1-100411-6-	16	19,05	22,4
OBSOLETE	-1-100411-8-	18	21,59	24,9
	2-100411-0	20	24,13	27,4



3	FEMALE CONTACT	PHOSPHOR BRONZE	2
	HOUSING	GLASS FILLED POLYESTER (RED)	1
	DESCRIPTION	MATERIAL	ITEM

NOTES:

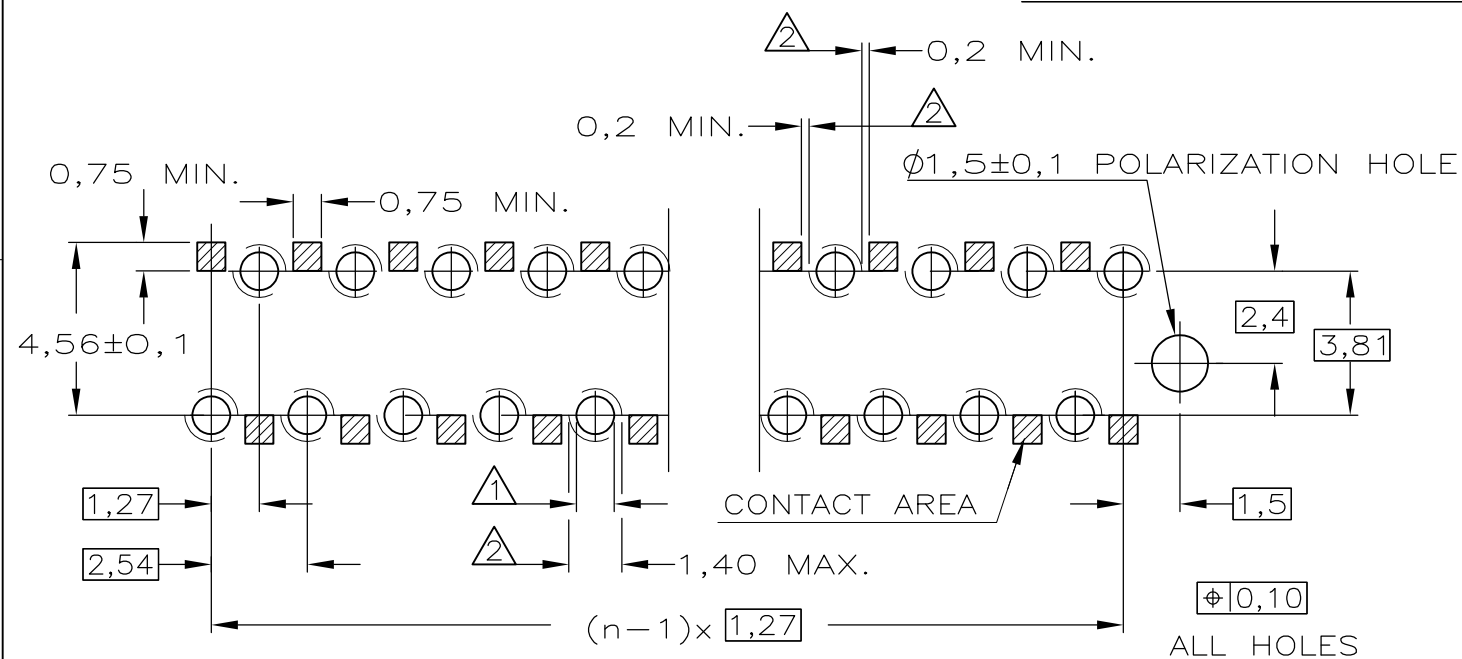
- HEIGHT OF CONNECTOR ABOVE P.C. BOARD SURFACE
AFTER INSERTION: 5,20±0,05
- FOR PC BOARD LAY-OUT SEE SHEET 2
- FINISH: TIN OVER NICKEL PLATING.

THIS DRAWING IS A CONTROLLED DOCUMENT.		DWN 11-07-91 P V TONGEREN	TE Connectivity	
		CHK 11-07-91 H KOKKEN		
DIMENSIONS: mm		APVD -	NAME Micro MatCh FEMALE S.M.C. CONNECTOR	
TOLERANCES UNLESS OTHERWISE SPECIFIED:		PRODUCT SPEC 108-19052	SIZE CAGE CODE DRAWING NO RESTRICTED TO	
0 PLC ± -		APPLICATION SPEC 114-19027	A3 00779 C-100411	
1 PLC ± 0.2		WEIGHT -	SCALE 1:1 SHEET 1 OF 3 REV G1	
2 PLC ± -		CUSTOMER DRAWING		
3 PLC ± -				
4 PLC ± -				
ANGLES ± -				
FINISH				
SEE TABLE				

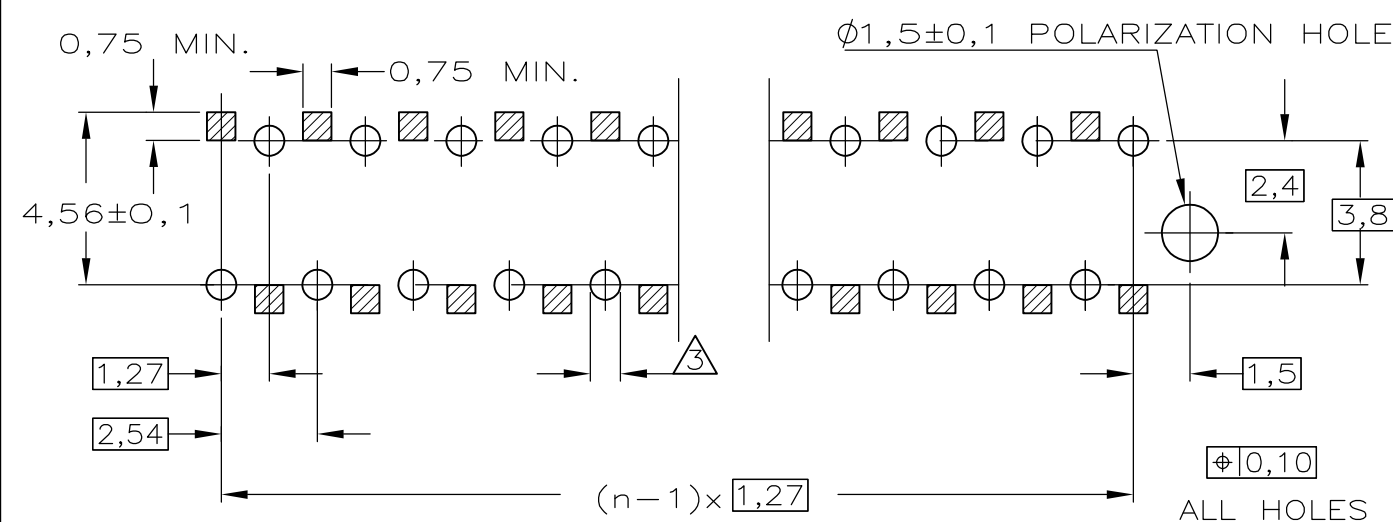
THIS DRAWING IS UNPUBLISHED. RELEASED FOR PUBLICATION
 © COPYRIGHT - By - ALL RIGHTS RESERVED.

LOC	DIST	REVISIONS			
P	LTR	DESCRIPTION	DATE	DWN	APVD
-	-	SEE SHEET 1	-	-	-

RECOMMENDED PC BOARD LAY-OUT (SOLDERSIDE SHOWN)



EPOXY PC BOARDS WITH PLATED OR UNPLATED DRILLED HOLES



PAPER PHENOLIC PC BOARDS WITH PUNCHED HOLES

1 EPOXY PC BOARD WITH UNPLATED DRILLED HOLES 1,00±0,05mm.
 FOR PLATED HOLES: SEE TABLE 1

2 EPOXY PC BOARDS WITH PLATED DRILLED HOLES, SOLDER EYE
 1,40 MAX. TO ACHIEVE A CREEPAGE DISTANCE BETWEEN SOLDER
 EYE AND CONTACT AREA CONNECTOR OF MIN. 0,20mm.

3 HOLE DIAMETER 0,80^{+0,15}₋₀

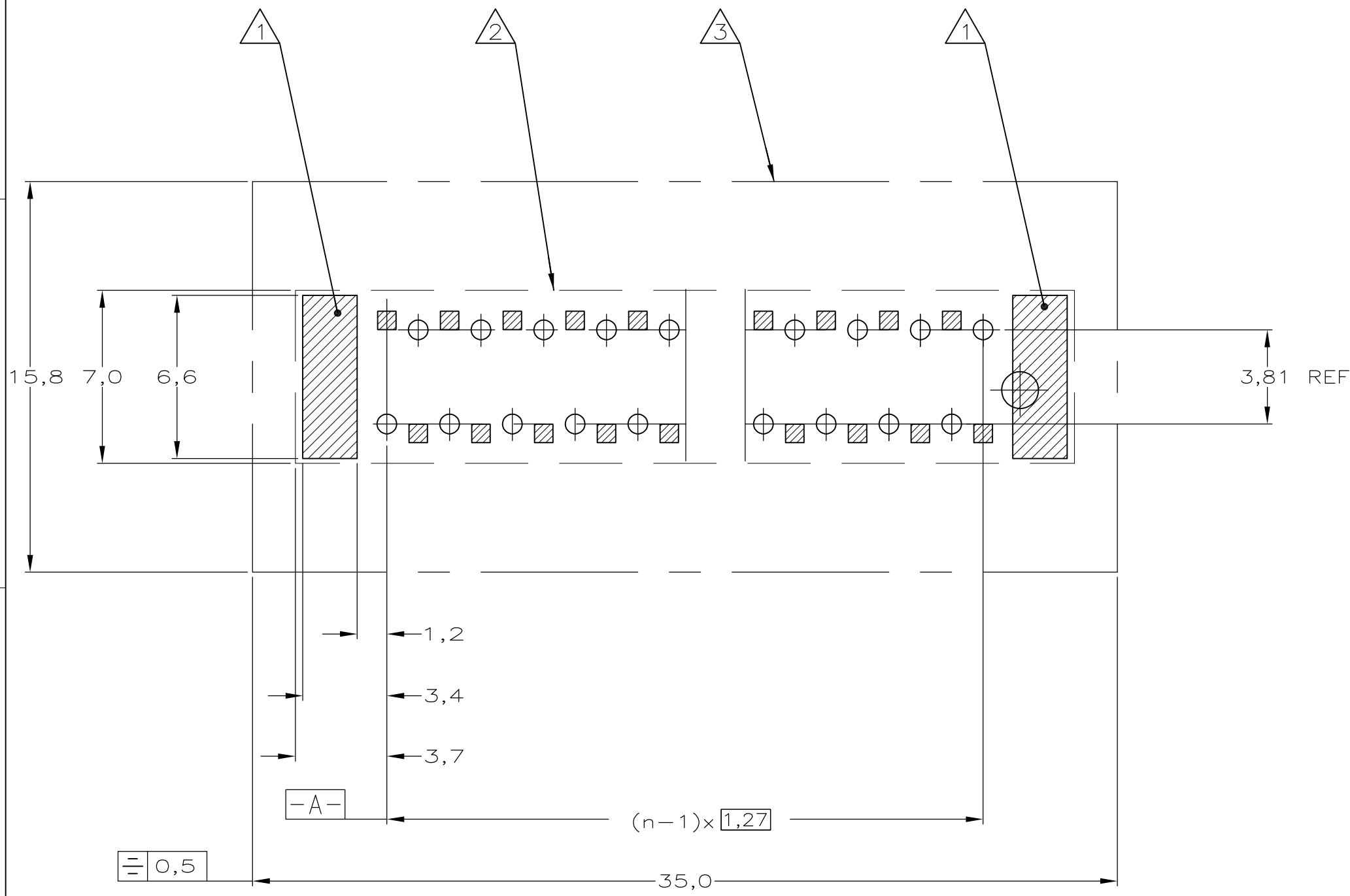
TABLE 1

P.C.B. HOLE DIM. PLATED	
FIN. HOLE	0,95 TO 1,05 mm
Cu-thks	0,025 TO 0,050 mm
Sn-thks	0,004 TO 0,010 mm

THIS DRAWING IS A CONTROLLED DOCUMENT.		DWN	11-07-91		TE Connectivity Micro MatCh FEMALE S.M.C. CONNECTOR
DIMENSIONS: mm		P	V TONGEREN		
TOLERANCES UNLESS OTHERWISE SPECIFIED:		CHK	11-07-91		
0 PLC ± - 1 PLC ± - 2 PLC ± - 3 PLC ± - 4 PLC ± - ANGLES ± -		H	KOKKEN		
MATERIAL		APVD	-		NAME
FINISH		PRODUCT SPEC	108-19052		SIZE
		APPLICATION SPEC	114-19027		CAGE CODE
		WEIGHT	-		DRAWING NO
		CUSTOMER DRAWING			RESTRICTED TO
		SCALE	1:1		SHEET
			2 OF 3		REV
			G1		

THIS DRAWING IS UNPUBLISHED. RELEASED FOR PUBLICATION
 © COPYRIGHT - By - ALL RIGHTS RESERVED.

LOC	DIST	REVISIONS			
P	LTR	DESCRIPTION	DATE	DWN	APVD
-	-	SEE SHEET 1	-	-	-



P.C.B. LAYOUT RECOMENDATIONS
TOOLING AREAS

NOTES:

- ① SHADED AREAS FREE OF (TINNED) COPPER TRACKS ON P.C.B.
- ② AREAS WITHIN THE DOTTED LINE FREE OF P.C.B. COMPONENTS, TOP AND BACK SIDE OF THE P.C.B.
- ③ AREA WITHIN THIS LINE FREE OF COMPONENTS HIGHER THAN 14 mm

THIS DRAWING IS A CONTROLLED DOCUMENT.		DWN H.vd STEEN 12.05.92	TE Connectivity		
DIMENSIONS: mm		CHK H vd STEEN 12.05.92			
TOLERANCES UNLESS OTHERWISE SPECIFIED: 0 PLC ± - 1 PLC ± 0.1 2 PLC ± - 3 PLC ± - 4 PLC ± - ANGLES ± - MATERIAL - FINISH -		APVD -	NAME TOOLING AREAS Micro MatCh FEMALE S.M.C. CONNECTOR		
MATERIAL		PRODUCT SPEC 108-19052	RESTRICTED TO		
		APPLICATION SPEC 114-19027	SIZE A3	CAGE CODE 00779	DRAWING NO C-100411
		WEIGHT -	SCALE 1:1 SHEET 3 OF 3 REV G1		
		CUSTOMER DRAWING			