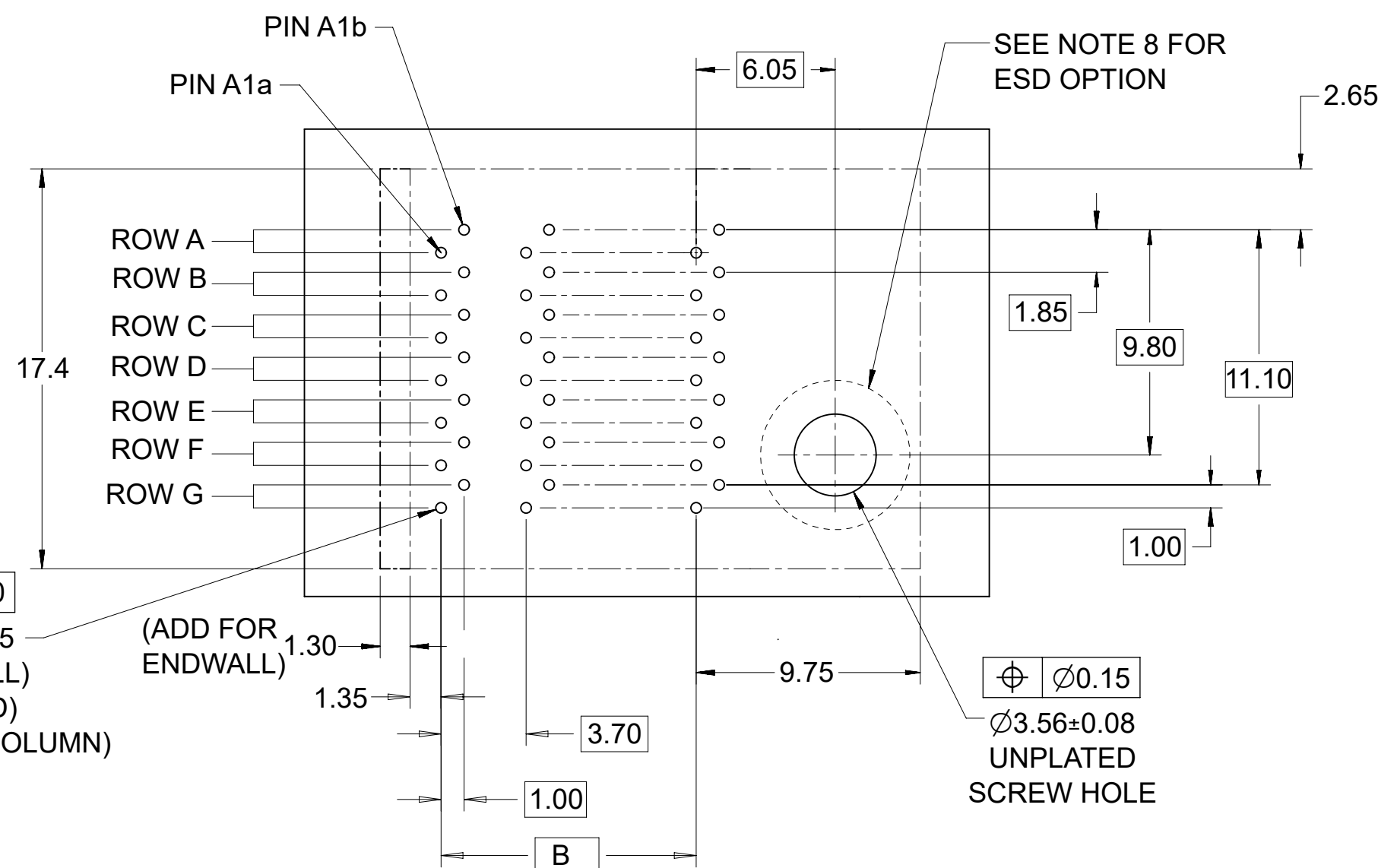
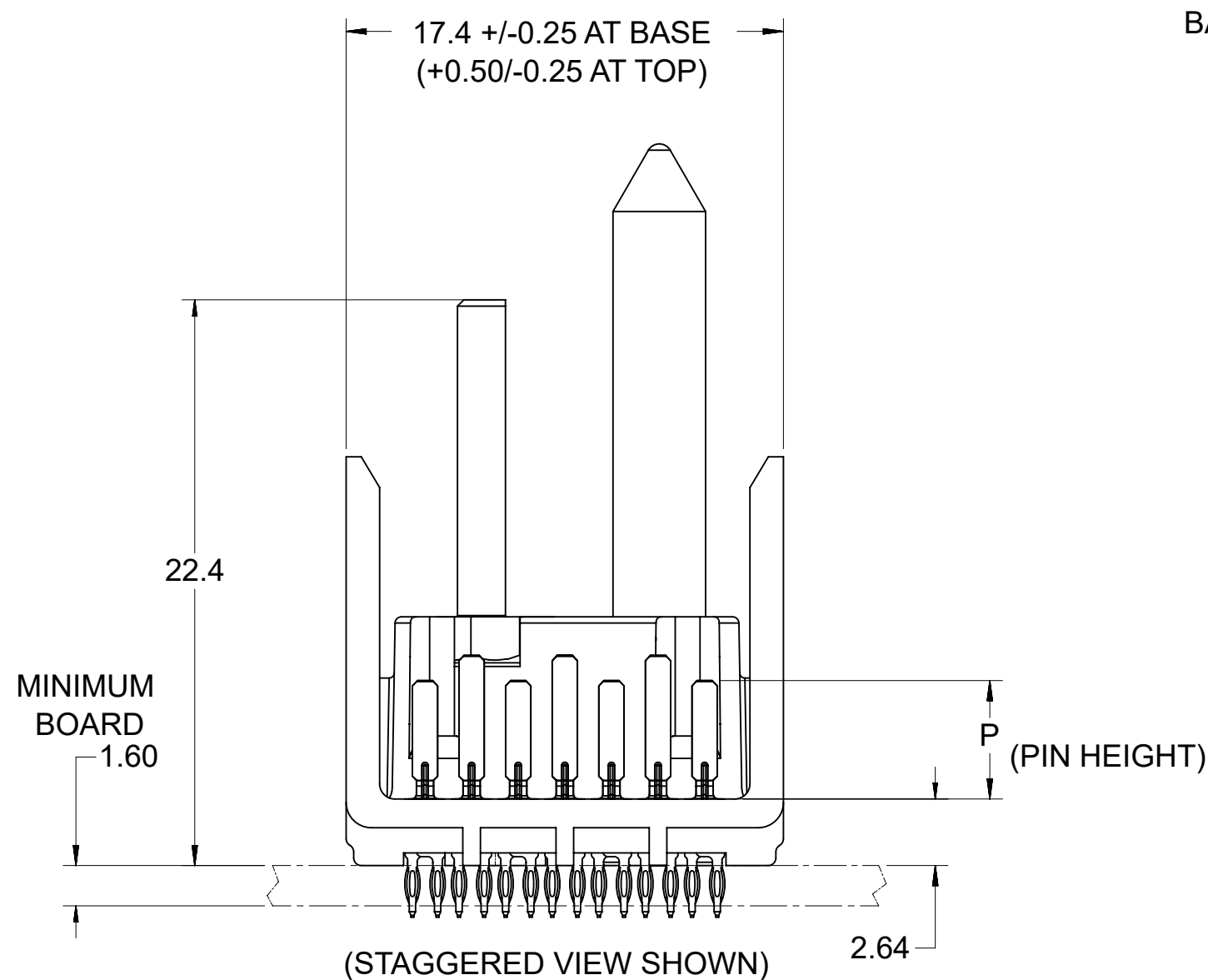
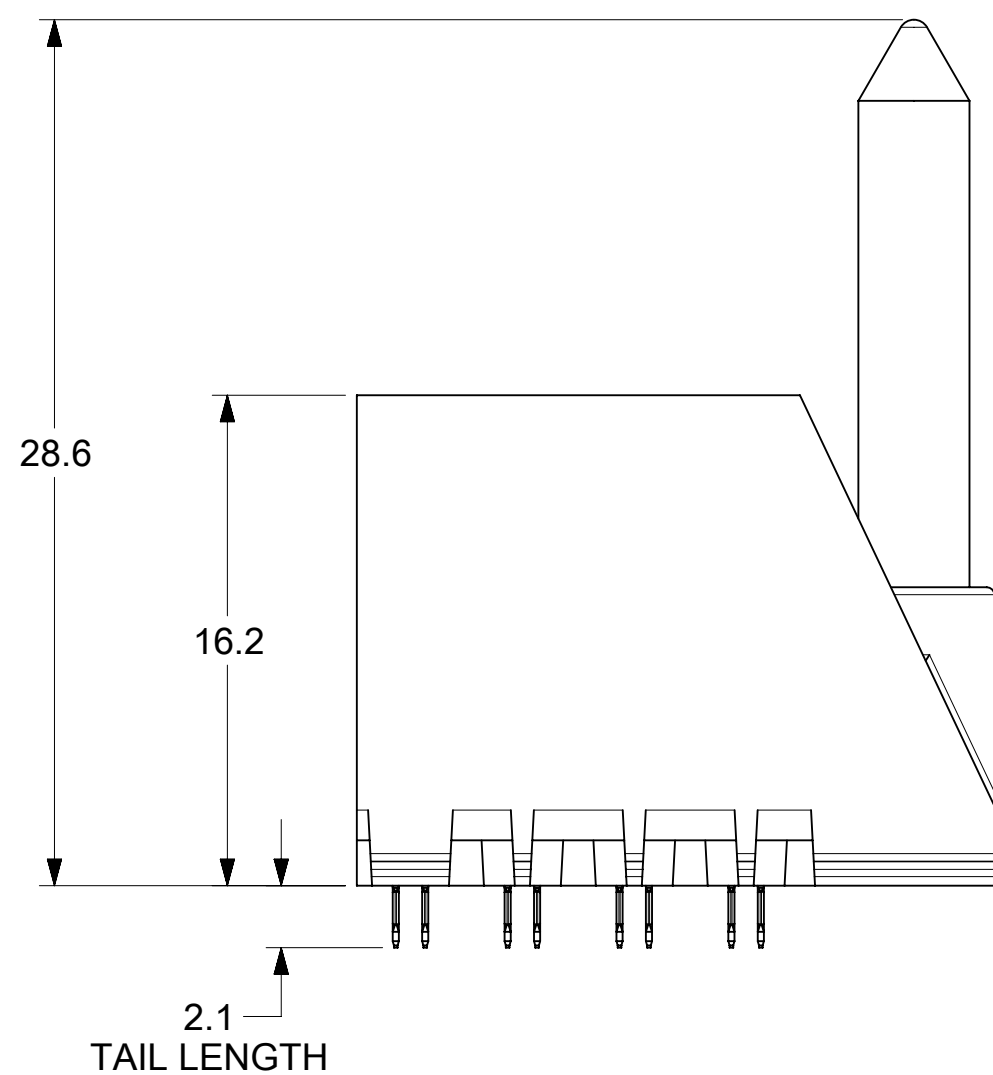
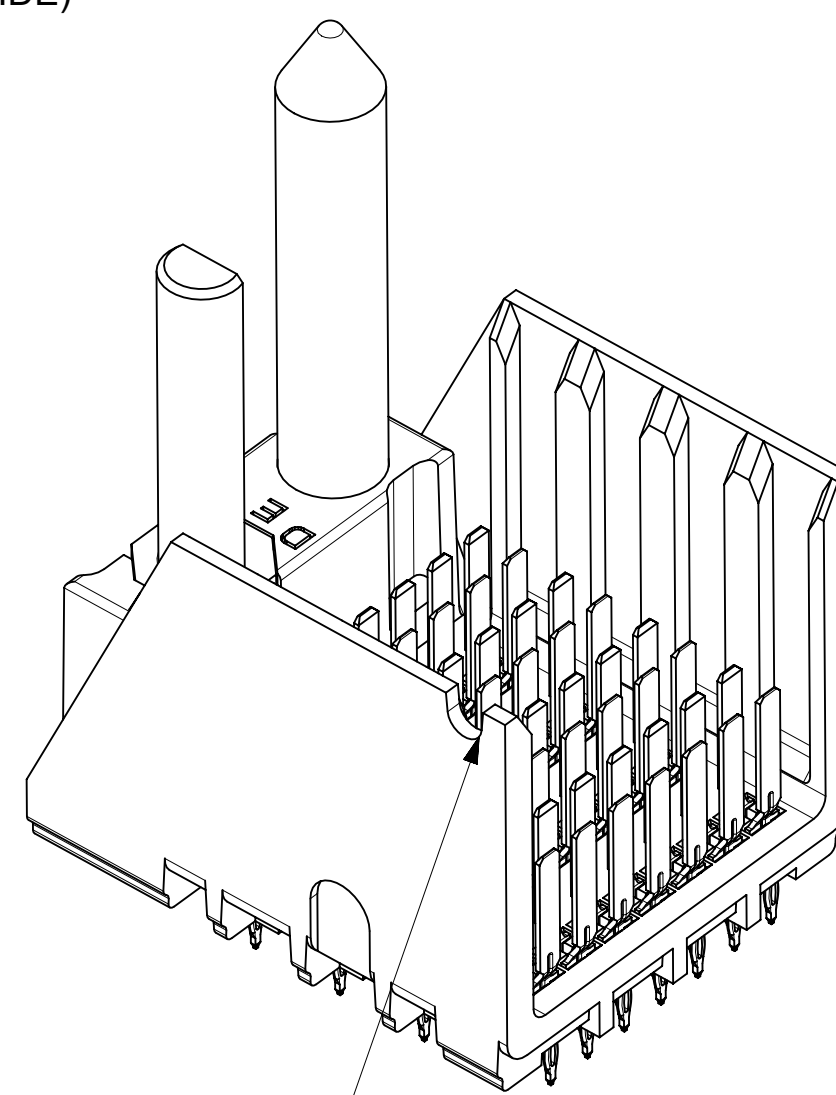


KEY SHOWN IN POSITION "E"



BACKPLANE HOLE PATTERN (CONNECTOR SIDE)



NOTCH DESIGNATES ROW A

THIS DRAWING CONTAINS INFORMATION THAT IS PROPRIETARY TO MOLEX ELECTRONIC TECHNOLOGIES, LLC AND SHOULD NOT BE USED WITHOUT WRITTEN PERMISSION													
DIMENSION UNITS		SCALE		CURRENT REV DESC: REMASTERED TO NX									
mm		NTS		<p>I-TRAC BACKPLANE 7 ROW GUIDE RIGHT ASSEMBLY SALES DRAWING</p> <p>PRODUCT CUSTOMER DRAWING</p>									
GENERAL TOLERANCES (UNLESS SPECIFIED)													
ANGULAR TOL ± 0.5°													
4 PLACES ±		EC NO: 671119								2021/07/08			
3 PLACES ±		DRWN: YOGEEB								2022/02/03			
2 PLACES ± 0.13		CHK'D: VINODM3		2022/02/18									
1 PLACE ± 0.25		APPR: CWANG25		INITIAL REVISION:									
0 PLACES ±		DRWN: BPISZCZOR		2007/02/08									
		APPR: JLAURX		2007/02/09									
DRAFT WHERE APPLICABLE MUST REMAIN WITHIN DIMENSIONS				THIRD ANGLE PROJECTION		DRAWING		SERIES					
						C-SIZE		76015					
DOCUMENT NUMBER		CUSTOMER		MATERIAL NUMBER		DOC TYPE		DOC PART					
SD-76015-004		GENERAL MARKET		SEE TABLE		PSD		001					
SHEET NUMBER		REVISION		DOC PART		DOC TYPE		DOC PART					
1 OF 4		G1											

# 76015-\*\*\*\*

MODULE TYPE -- TAIL PLATING TYPE  
 GUIDE RIGHT -- TIN ONLY = 4 (PREVIOUSLY TIN/LEAD)  
 GUIDE RIGHT -- TIN ONLY = 5  
 GUIDE RIGHT W/END -- TIN ONLY = 8 (PREVIOUSLY TIN/LEAD)  
 GUIDE RIGHT W/END -- TIN ONLY = 9

# OF COLUMNS  
 4 = 4 COL  
 6 = 6 COL  
 1 = 10 COL

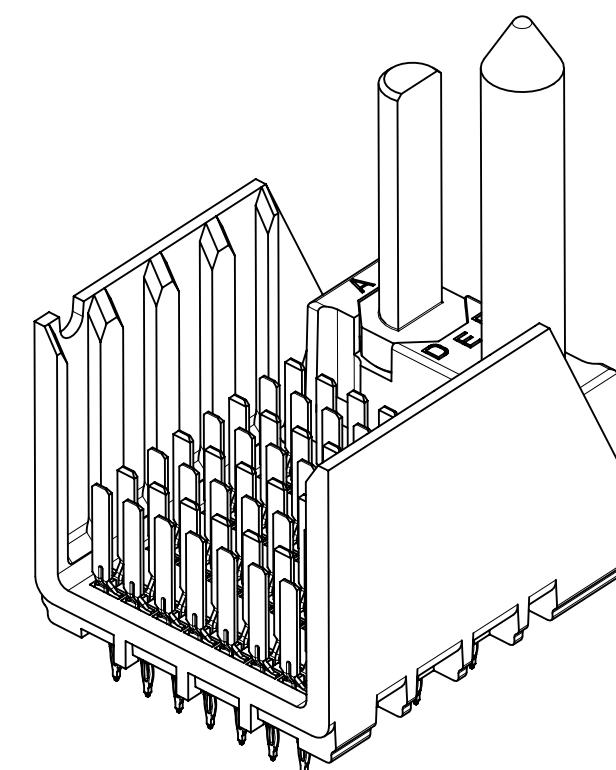
KEY ORIENTATION  
 0 = NO KEY  
 1 = A  
 2 = B  
 3 = C  
 4 = D  
 5 = E  
 6 = F  
 7 = G  
 8 = H

PIN LENGTH (P)  
 2 = 3.90 - 30 GOLD  
 3 = 4.70 - 30 GOLD  
 4 = 5.70 - 30 GOLD  
 5 = 4.70 & 5.70 - 30 GOLD STAGGERED  
 6 = 3.90 - 10 GOLD  
 7 = 4.70 - 10 GOLD  
 8 = 5.70 - 10 GOLD  
 9 = 4.70 & 5.70 - 10 GOLD STAGGERED

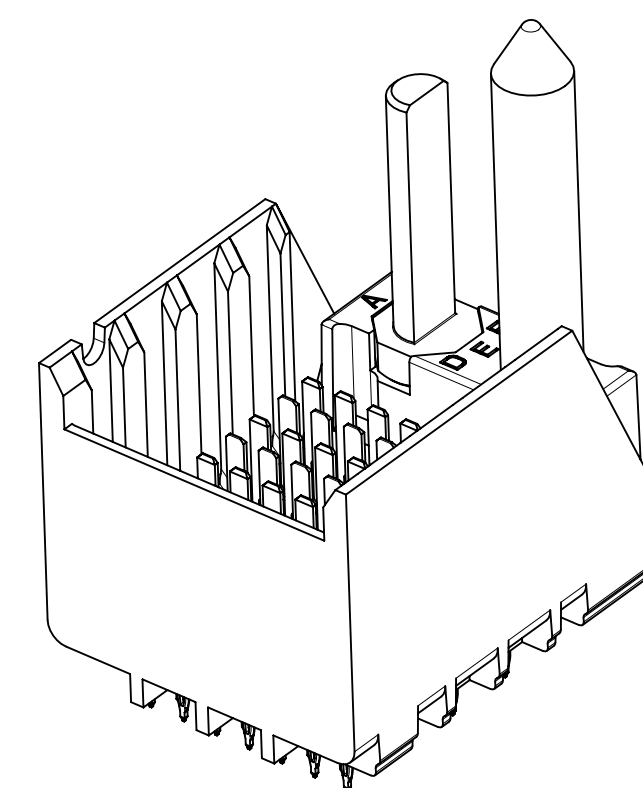
MATERIAL NUMBER	# OF COLUMNS	DIM "A"	DIM "B"
76015-4**	4	21.1	11.10
76015-6**	6	28.5	18.50
76015-1**	10	43.3	33.30

MATERIAL NUMBER	# OF COLUMNS	DIM "A"	DIM "B"
76015-4**	4	22.4	11.10
76015-6**	6	29.8	18.50
76015-1**	10	44.6	33.30

GUIDE RIGHT STYLE



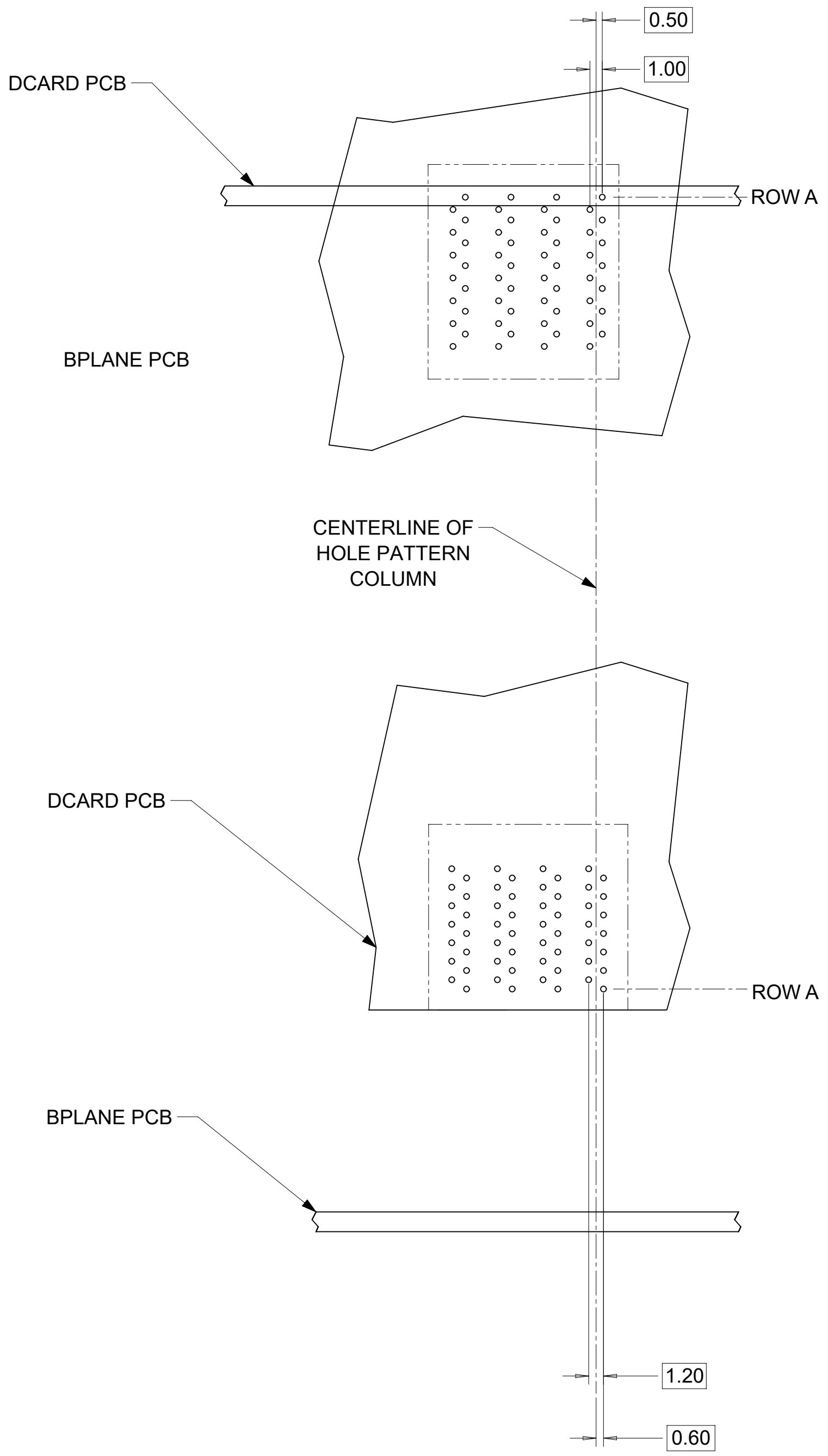
GUIDE RIGHT W/END STYLE



NOTES:

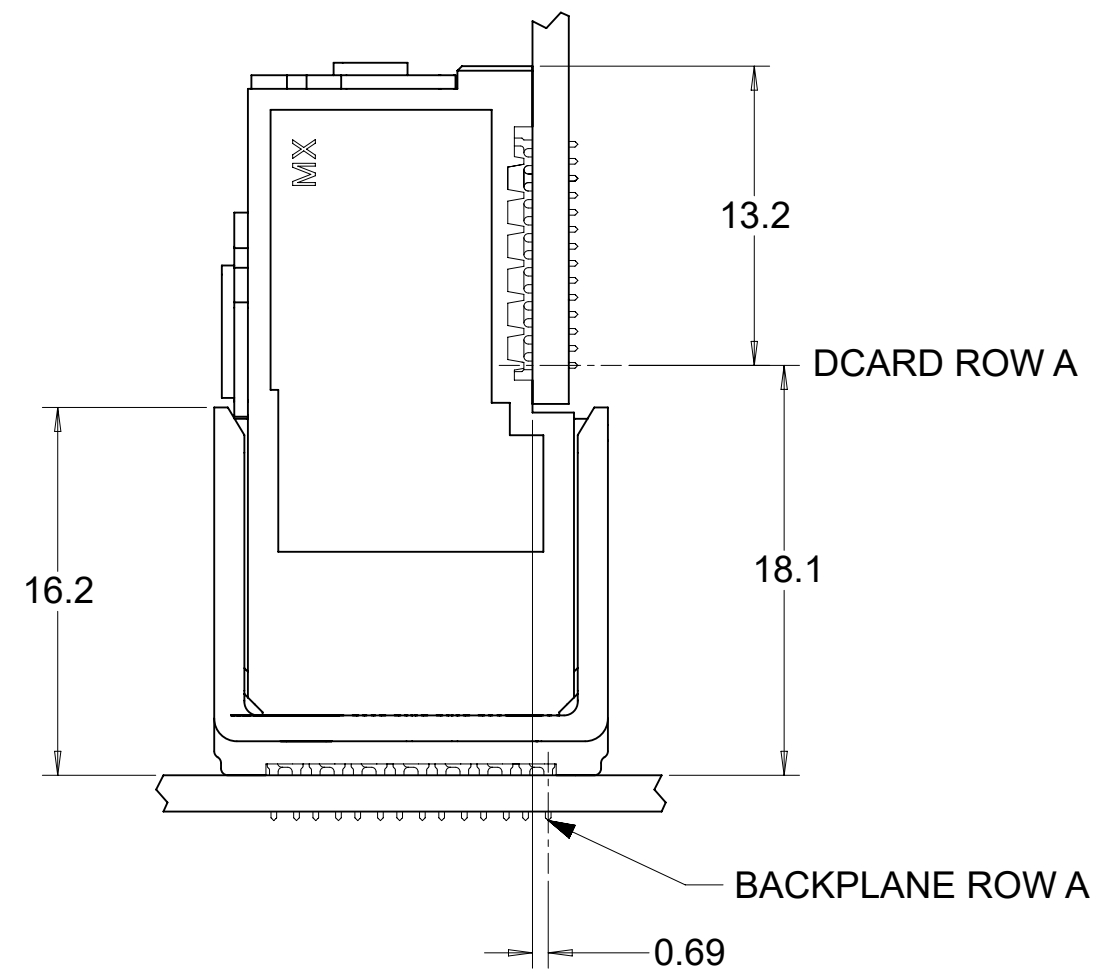
- MATERIALS: HOUSING - LIQUID CRYSTAL POLYMER (LCP)  
GLASS-FILLED, UL94V-0  
TERMINALS - HIGH PERFORMANCE COPPER ALLOY
- FINISH: 10 MICROINCH MINIMUM GOLD OR 30 MICROINCH MINIMUM GOLD  
IN CONTACT AREA. SELECTIVE MATTE TIN ON PCB TAILS,  
NICKEL OVERALL.
- REFER TO MOLEX PRODUCT SPECIFICATION PS-75710-999  
FOR PERFORMANCE SPECIFICATIONS.
- FOR MIXED CONTACT MATING LENGTHS, CONSULT MOLEX  
FOR AVAILABILITY.
- THIS PART CONFORMS TO CLASS B REQUIREMENTS OF  
COSMETIC SPEC PS-45499-002.
- PACKAGE PER: PK-70873-802.
- GUIDED PARTS TO BE SHIPPED WITH 2-56 UNC B SCREW P/N 73774-1000.
- FOR GROUNDED GUIDE PINS USE DIA 3.56 +/-0.08 (PTH),  
DIA 3.66 (DRILL), AND DIA 6.5 (PAD).
- REFER TO PCB ROUTING GUIDE FOR ANTI-PAD AND ROUTING RECOMMENDATIONS.

THIS DRAWING CONTAINS INFORMATION THAT IS PROPRIETARY TO MOLEX ELECTRONIC TECHNOLOGIES, LLC AND SHOULD NOT BE USED WITHOUT WRITTEN PERMISSION											
DIMENSION UNITS		SCALE		CURRENT REV DESC: REMASTERED TO NX							
mm		NTS									
GENERAL TOLERANCES (UNLESS SPECIFIED)				EC NO: 671119		2021/07/08		I-TRAC BACKPLANE 7 ROW GUIDE RIGHT ASSEMBLY SALES DRAWING PRODUCT CUSTOMER DRAWING			
ANGULAR TOL ± 0.5°				DRWN: YOGEEB		2022/02/03					
4 PLACES ±				CHK'D: VINODM3		2022/02/18		DOCUMENT NUMBER <b>SD-76015-004</b>			
3 PLACES ±				APPR: CWANG25							
2 PLACES ± 0.13				INITIAL REVISION:		2007/02/08		PSD		001	
1 PLACE ± 0.25				DRWN: BPISZCZOR		2007/02/09		G1			
0 PLACES ±				APPR: JLAURX				MATERIAL NUMBER		CUSTOMER	
DRAFT WHERE APPLICABLE MUST REMAIN WITHIN DIMENSIONS				THIRD ANGLE PROJECTION		DRAWING		SERIES		SHEET NUMBER	
						C-SIZE		76015		2 OF 4	
DOCUMENT STATUS		P1		RELEASE DATE		2022/02/18 05:04:13		SEE TABLE		GENERAL MARKET	

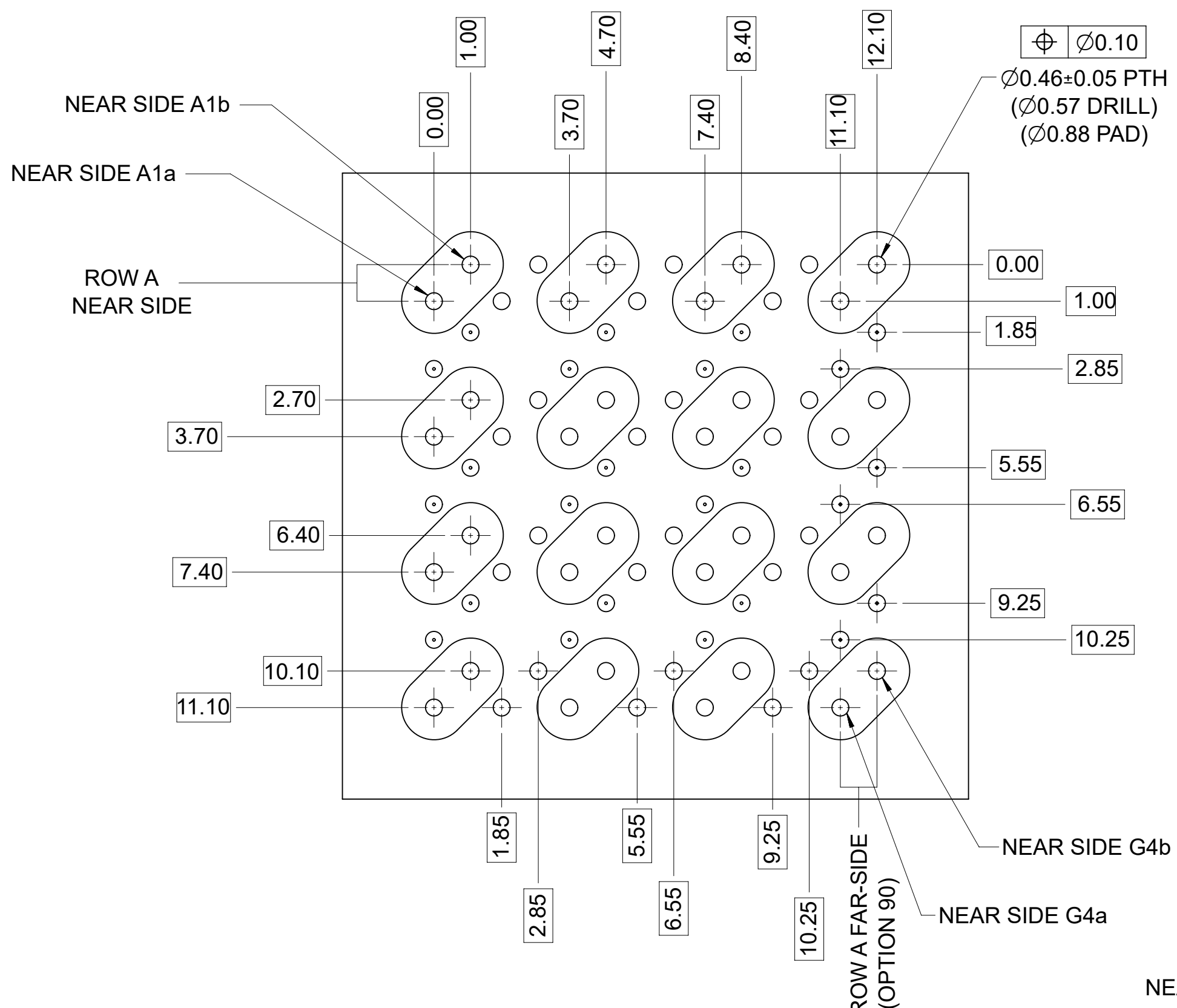


# 7 ROW I-TRAC BOARD RELATIONSHIPS

SCALE 2:1



THIS DRAWING CONTAINS INFORMATION THAT IS PROPRIETARY TO MOLEX ELECTRONIC TECHNOLOGIES, LLC AND SHOULD NOT BE USED WITHOUT WRITTEN PERMISSION												
DIMENSION UNITS	SCALE	CURRENT REV DESC: REMASTERED TO NX				molex						
mm	NTS					I-TRAC BACKPLANE 7 ROW GUIDE RIGHT ASSEMBLY SALES DRAWING						
GENERAL TOLERANCES (UNLESS SPECIFIED)						PRODUCT CUSTOMER DRAWING						
ANGULAR TOL	± 0.5°	EC NO: 671119				DOCUMENT NUMBER				DOC TYPE	DOC PART	REVISION
4 PLACES	±	DRWN: YOGEEB		2021/07/08		SD-76015-004				PSD	001	G1
3 PLACES	±	CHK'D: VINODM3		2022/02/03								
2 PLACES	± 0.13	APPR: CWANG25		2022/02/18								
1 PLACE	± 0.25	INITIAL REVISION:										
0 PLACES	±	DRWN: BPISZCZOR		2007/02/08								
		APPR: JLAURX		2007/02/09								
DRAFT WHERE APPLICABLE MUST REMAIN WITHIN DIMENSIONS		THIRD ANGLE PROJECTION		DRAWING		SERIES		MATERIAL NUMBER		CUSTOMER		SHEET NUMBER
				C-SIZE		76015		SEE TABLE		GENERAL MARKET		3 OF 4

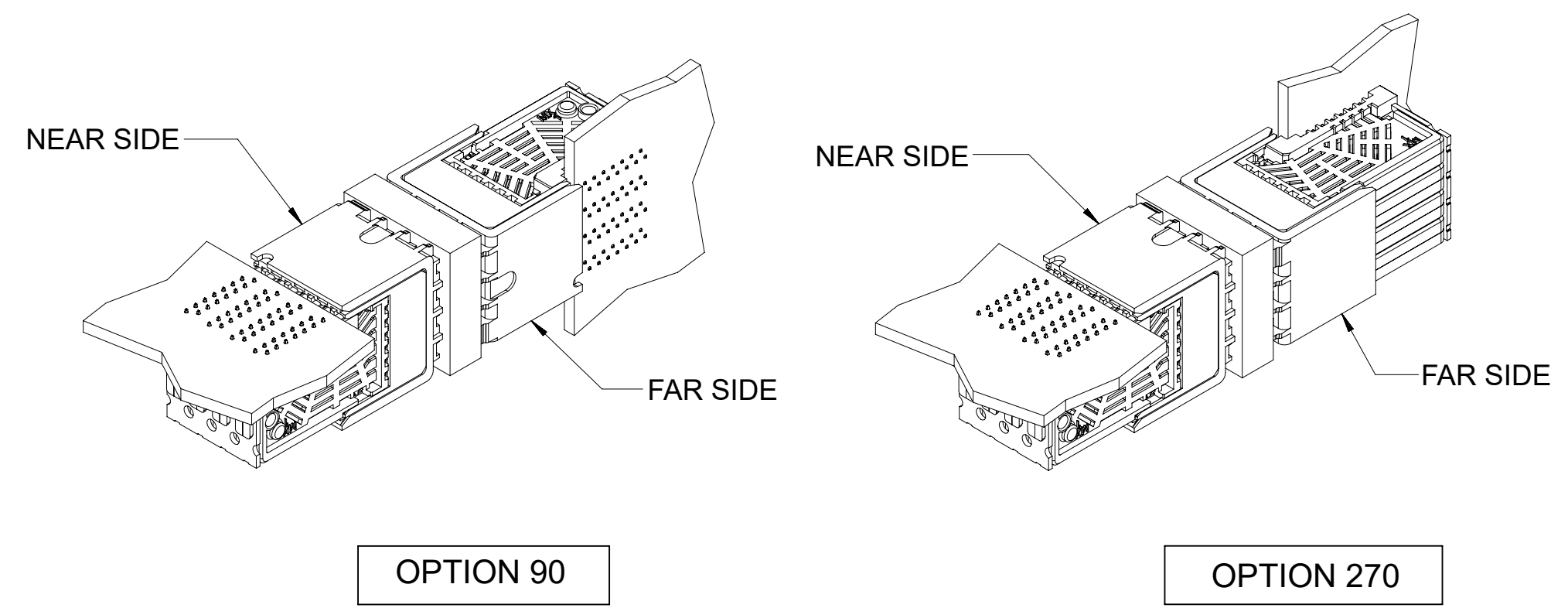


$\varnothing 0.10$   
 $\varnothing 0.46 \pm 0.05$  PTH  
 ( $\varnothing 0.57$  DRILL)  
 ( $\varnothing 0.88$  PAD)

ORTHO PIN MAPPING			
OPTION 90 (NEAR SIDE - FAR SIDE)			
A1b-G4b	A2b-E4b	A3b-C4b	A4b-A4b
A1a-G4a	A2a-E4a	A3a-C4a	A4a-A4a
C1b-G3b	C2b-E3b	C3b-C3b	C4b-A3b
C1a-G3a	C2a-E3a	C3a-C3a	C4a-A3a
E1b-G2b	E2b-E2b	E3b-C2b	E4b-A2b
E1a-G2a	E2a-E2a	E3a-C2a	E4a-A2a
G1b-G1b	G2b-E1b	G3b-C1b	G4b-A1b
G1a-G1a	G2a-E1a	G3a-C1a	G4a-A1a

ORTHO PIN MAPPING			
OPTION 270 (NEAR SIDE - FAR SIDE)			
A1b-A1a	A2b-C1a	A3b-E1a	A4b-G1a
A1a-A1b	A2a-C1b	A3a-E1b	A4a-G1b
C1b-A2a	C2b-C2a	C3b-E2a	C4b-G2a
C1a-A2b	C2a-C2b	C3a-E2b	C4a-G2b
E1b-A3a	E2b-C3a	E3b-E3a	E4b-G3a
E1a-A3b	E2a-C3b	E3a-E3b	E4a-G3b
G1b-A4a	G2b-C4a	G3b-E4a	G4b-G4a
G1a-A4b	G2a-C4b	G3a-E4b	G4a-G4b

### Orthogonal PCB Layout



- NOTES:
- SIGNAL PAIRS (SHARED VIAS)
  - NEAR SIDE GROUNDS
  - FAR SIDE GROUNDS

THIS DRAWING CONTAINS INFORMATION THAT IS PROPRIETARY TO MOLEX ELECTRONIC TECHNOLOGIES, LLC AND SHOULD NOT BE USED WITHOUT WRITTEN PERMISSION											
DIMENSION UNITS		SCALE		CURRENT REV DESC: REMASTERED TO NX							
mm		NTS									
GENERAL TOLERANCES (UNLESS SPECIFIED)				EC NO: 671119							
ANGULAR TOL				± 0.5°		DRWN: YOGEEB		2021/07/08		I-TRAC BACKPLANE 7 ROW	
4 PLACES				±		CHK'D: VINODM3		2022/02/03		GUIDE RIGHT ASSEMBLY SALES DRAWING	
3 PLACES				±		APPR: CWANG25		2022/02/18		PRODUCT CUSTOMER DRAWING	
2 PLACES				± 0.13		INITIAL REVISION:				DOCUMENT NUMBER	
1 PLACE				± 0.25		DRWN: BPISZCZOR		2007/02/08		SD-76015-004	
0 PLACES				±		APPR: JLAURX		2007/02/09		DOC TYPE DOC PART REVISION	
DRAFT WHERE APPLICABLE MUST REMAIN WITHIN DIMENSIONS				THIRD ANGLE PROJECTION		DRAWING		SERIES		MATERIAL NUMBER CUSTOMER SHEET NUMBER	
						C-SIZE		76015		SEE TABLE GENERAL MARKET 4 OF 4	