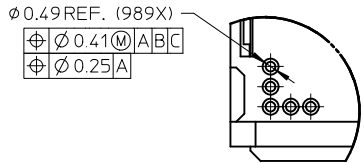
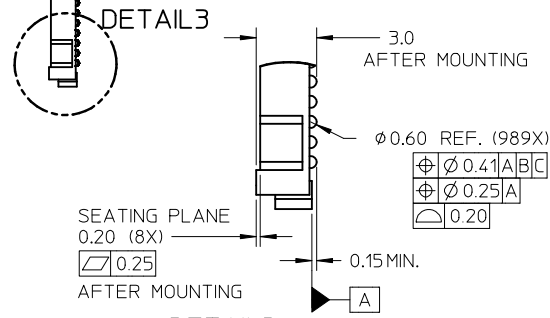
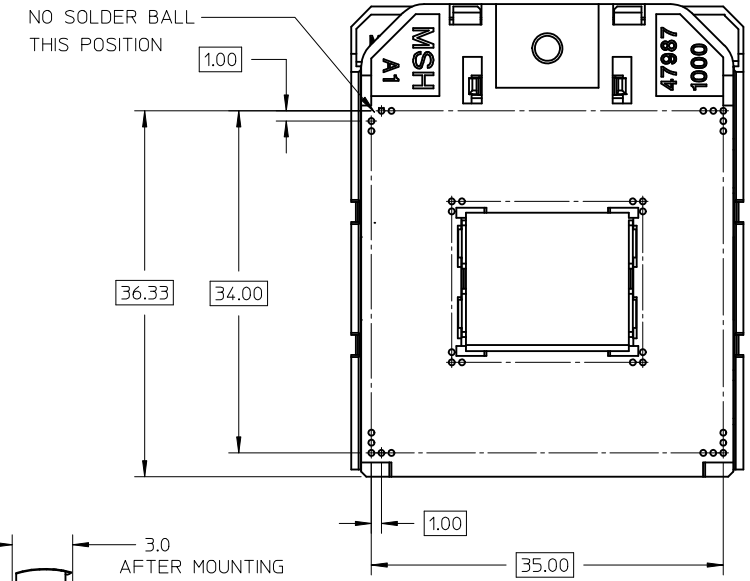


- NOTES:
- 1) THIS SOCKET COMPLIES WITH ALL SPECIFICATIONS AND PERFORMANCE REQUIREMENTS FOR INTEL rPGA98X SERIES CPU PROCESSORS.
 - 2) SOCKET SHOWN IN OPEN POSITION.
 - 3) SEE SHEET 2 FOR DETAILS PERTAINING TO KEYING, MATERIAL AND PACKAGING OPTIONS.
 - 4) THIS PRODUCT SERIES COMPLIANT TO RoHS DIRECTIVE 2002/95/EC AND ELV DIRECTIVE 2000/53/EC.

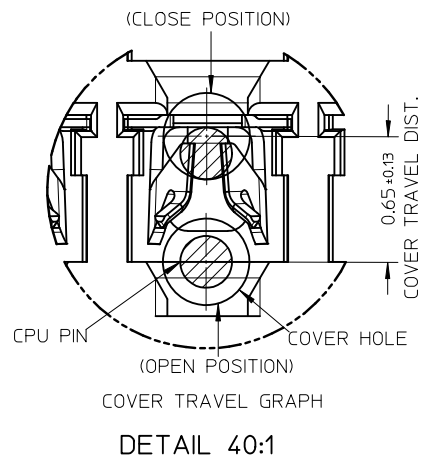
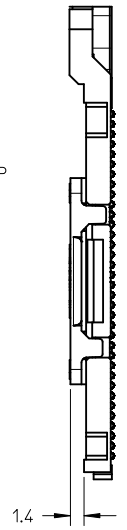
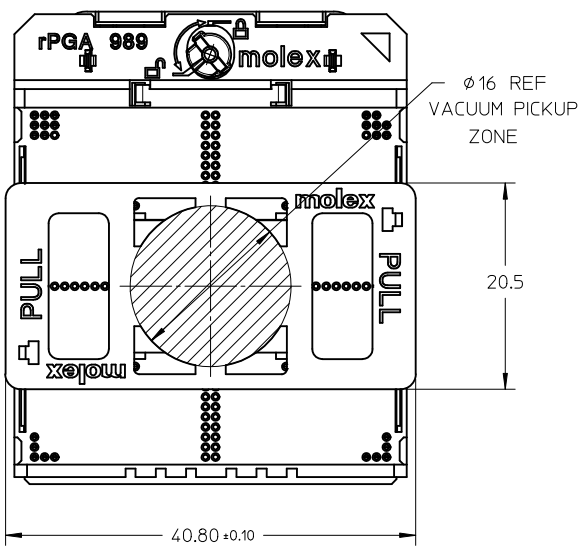


DETAIL 2

DETAIL 3

REVISED EC NO: SH2011-0076 DRW:ZYYAN CHKD: APPR:AYIN REV B	DESCRIPTION 2010/09/03 2010/09/06 2010/09/17	QUALITY SYMBOLS	GENERAL TOLERANCES (UNLESS SPECIFIED)		DIMENSION STYLE	SCALE	DESIGN UNITS	THIRD ANGLE PROJECTION
		$F_A=0$ $F_C=0$ $F_P=0$	mm	INCH	MM ONLY	2:1	METRIC	
		4 PLACES ± --- ± --- 3 PLACES ± --- ± --- 2 PLACES ± 0.10 ± --- 1 PLACE ± 0.20 ± ---	DRAWN BY QWFANG DATE 2008/04/25		TITLE RPGA989 SOCKET ASSEMBLY			
		ANGULAR ± 2 °	CHECKED BY JKACH LIC DATE 2008/05/29		APPROVED BY CL IANG DATE 2008/05/29			
DRAFT WHERE APPLICABLE MUST REMAIN WITHIN DIMENSIONS		MATERIAL NO. SEE TABLE		MOLEX INCORPORATED		DOCUMENT NO. SD-47989-001		SHEET NO. 1 OF 6
		SIZE A3		THIS DRAWING CONTAINS INFORMATION THAT IS PROPRIETARY TO MOLEX INCORPORATED AND SHOULD NOT BE USED WITHOUT WRITTEN PERMISSION				

REMOVEABLE PICK & PLACE CAP



NOTES:

- 1) MATERIALS:
 MOLDED COMPONENTS: LIQUID CRYSTAL POLYMER (LCP) UL 94V-0
 BASE HOUSING COLOR: BLACK
 COVER COLOR: NATURAL
 MYLAR(POLYIMIDE, COLOR:ORANGE) OR PhP COVER(LCP, COLOR: BLACK)
 FOR PICK & PLACE.
 CONTACTS: HIGH STRENGTH COPPER ALLOY
 PLATING: GOLD THICKNESS AS FOLLOWING TABLE 1-3 IN CONTACT AREA,
 1.3um NICKEL OVERALL
 CAM COMPONENTS: STAINLESS STEEL
 SOLDER BALL: LEAD-FREE BALL SnAg3.0Cu0.5
- 2) DATE CODE *****
 MOLEX INTERNAL USE
 WORKING DAY
 MONTH
 YEAR
- 3) PRODUCT SPECIFICATION PS-47989-00* APPLIES
 4) PACKAGING SPECIFICATION: PK-47989-001 (TAPE & REEL)
 PK-47989-002 (HARD TRAY)

REVISED EC NO: SH2011-0076 DRWN:ZYUAN CHKD: APPR:AYIN	2010/09/03 2010/09/06 2010/09/17	DESCRIPTION REV	QUALITY SYMBOLS	GENERAL TOLERANCES (UNLESS SPECIFIED)	DIMENSION STYLE	SCALE	DESIGN UNITS	THIRD ANGLE PROJECTION	
			▽F=0	mm INCH	MM ONLY	2:1	METRIC	□	
			▽F=0	4 PLACES ± --- ± ---	DRAWN BY DATE	TITLE	MATERIAL NO.	DOCUMENT NO.	SHEET NO.
			▽F=0	3 PLACES ± --- ± ---	QWFANG 2008/04/25				
			2 PLACES ± 0.10 ± ---	CHECKED BY DATE	MOLEX INCORPORATED	SD-47989-001	2 OF 6		
			1 PLACE ± 0.20 ± ---	APPROVED BY DATE					
			ANGULAR ± 2 °	CL IANG 2008/05/29	THIS DRAWING CONTAINS INFORMATION THAT IS PROPRIETARY TO MOLEX INCORPORATED AND SHOULD NOT BE USED WITHOUT WRITTEN PERMISSION				
DRAFT WHERE APPLICABLE MUST REMAIN WITHIN DIMENSIONS				SIZE					
				A3					

PART NO. OF GF PLATING- TABLE 1

PART NUMBER	PICK UP TYPE		PACKAGE TYPE		PRODUCT SPEC.
	MYLAR	CAP	T&R	HARD TRAY	
47989-0110	◆			◆	PS-47989-002
47989-0120	◆		◆		
47989-0130		◆		◆	
47989-0140		◆	◆		
47989-0210	◆			◆	
47989-0220	◆		◆		
47989-0230		◆		◆	
47989-0240		◆	◆		

PART NO. OF 10u" MIN. GOLD PLATING- TABLE 2

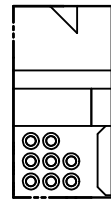
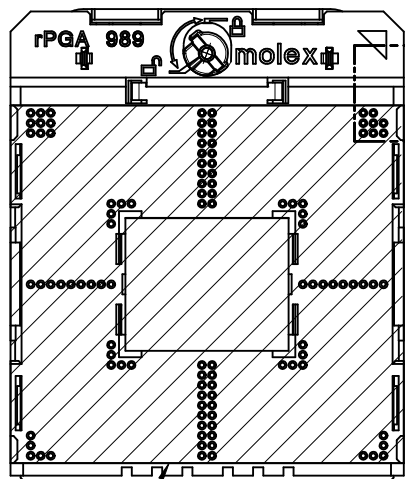
PART NUMBER	PICK UP TYPE		PACKAGE TYPE		PRODUCT SPEC.
	MYLAR	CAP	T&R	HARD TRAY	
47989-0111	◆			◆	PS-47989-003
47989-0121	◆		◆		
47989-0131		◆		◆	
47989-0141		◆	◆		
47989-0211	◆			◆	
47989-0221	◆		◆		
47989-0231		◆		◆	
47989-0241		◆	◆		

PART NO. OF 15u" MIN. GOLD PLATING- TABLE 3

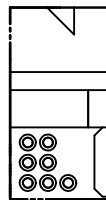
PART NUMBER	PICK UP TYPE		PACKAGE TYPE		PRODUCT SPEC.
	MYLAR	CAP	T&R	HARD TRAY	
47989-0112	◆			◆	PS-47989-001
47989-0122	◆		◆		
47989-0132		◆		◆	
47989-0142		◆	◆		
47989-0212	◆			◆	
47989-0222	◆		◆		
47989-0232		◆		◆	
47989-0242		◆	◆		

SOCKET KEYING OPTIONS

MYLAR PICK & PLACE OPTION



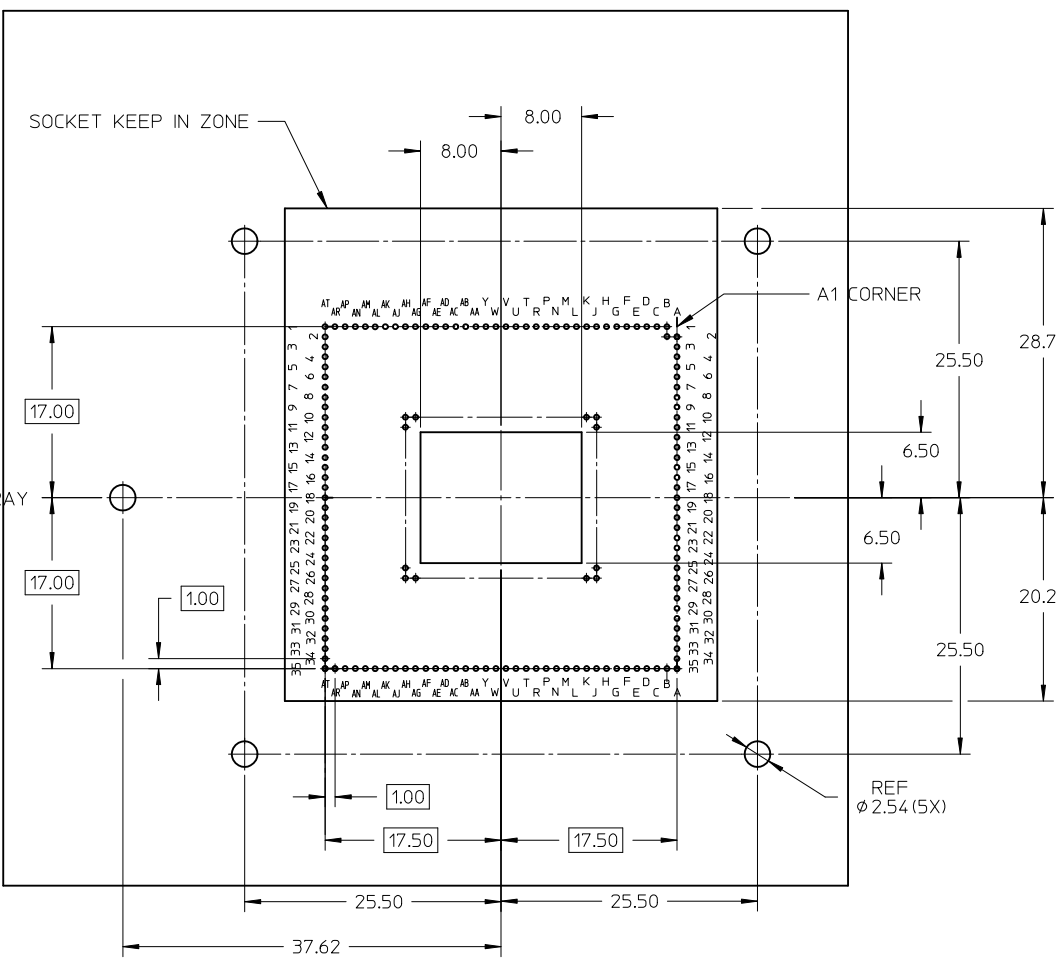
rPGA989
47989-01**



rPGA988A
47989-02**

MYLAR (NORMAL)

REVISED EC NO: SH2011-0076 DRWN:ZYAN CHKD: APPR:AYIN 2010/09/03 2010/09/06 2010/09/17	QUALITY SYMBOLS $F_A=0$ $F_C=0$ $F_P=0$	GENERAL TOLERANCES (UNLESS SPECIFIED)		DIMENSION STYLE MM ONLY		SCALE 2:1	DESIGN UNITS METRIC	THIRD ANGLE PROJECTION	
		4 PLACES ± --- ± ---	mm INCH	DRAWN BY QWFANG	DATE 2008/04/25	TITLE RPGA989 SOCKET ASSEMBLY			
		3 PLACES ± --- ± ---		CHECKED BY JKACHLIC	DATE 2008/05/29	MOLEX INCORPORATED			
		2 PLACES ± 0.10 ± --- 1 PLACE ± 0.20 ± ---		APPROVED BY CL IANG	DATE 2008/05/29	MATERIAL NO. SEE TABLE	DOCUMENT NO. SD-47989-001	SHEET NO. 3 OF 6	
		DRAFT WHERE APPLICABLE MUST REMAIN WITHIN DIMENSIONS		SIZE A3	THIS DRAWING CONTAINS INFORMATION THAT IS PROPRIETARY TO MOLEX INCORPORATED AND SHOULD NOT BE USED WITHOUT WRITTEN PERMISSION				

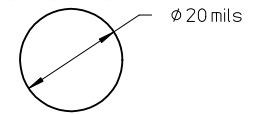


MOTHERBOARD KEEP IN ZONE (KIZ)
(FOR NORMAL)

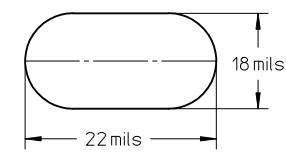
NOTES:

shape pada of PCB are recommended

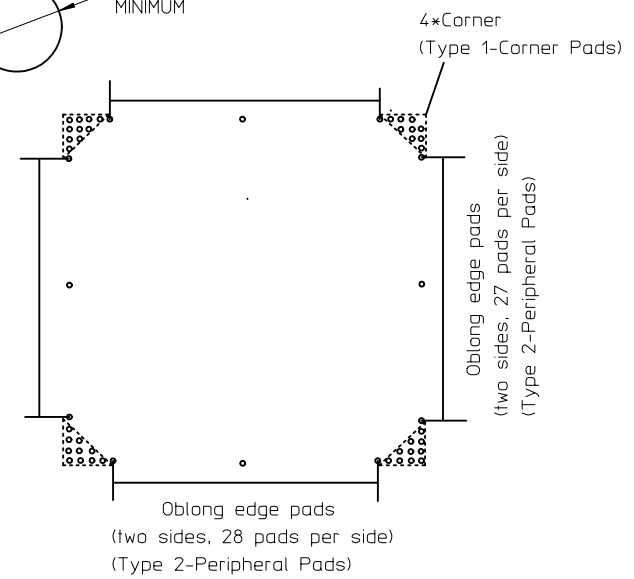
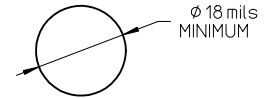
TYPE1-Corner Pads



TYPE2-Peripheral Pads (Oblong-shape pada are recommended)



TYPE3-All Other Location Except for those of Type1 and Type2 Locations)



REVISED EC NO: SH2011-0076 DRWN:ZYAN CHKD: APPR:AYIN	2010/09/03 2010/09/06 2010/09/17	DESCRIPTION REV	QUALITY SYMBOLS	GENERAL TOLERANCES (UNLESS SPECIFIED)		DIMENSION STYLE		SCALE	DESIGN UNITS	THIRD ANGLE PROJECTION		
			$F_A = 0$ $F_C = 0$ $F_D = 0$	mm	INCH	MM ONLY		METRIC				
			4 PLACES ± --- ± --- 3 PLACES ± --- ± --- 2 PLACES ± 0.10 ± --- 1 PLACE ± 0.20 ± ---	ANGULAR ± 2 °		DRAWN BY	DATE	TITLE				
			DRAFT WHERE APPLICABLE MUST REMAIN WITHIN DIMENSIONS		SEE TABLE		DRAWN BY QWFANG		DATE 2008/04/25		RPGA989 SOCKET ASSEMBLY	
				APPROVED BY CL IANG		DATE 2008/05/29		MOLEX INCORPORATED				
				MATERIAL NO.		DOCUMENT NO.		SD-47989-001				
				SIZE A3		THIS DRAWING CONTAINS INFORMATION THAT IS PROPRIETARY TO MOLEX INCORPORATED AND SHOULD NOT BE USED WITHOUT WRITTEN PERMISSION						
								SHEET NO.		4 OF 6		

PART NO. OF GF PLATING- TABLE 1

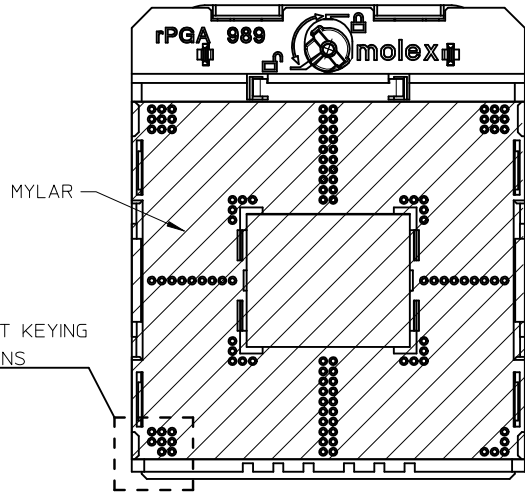
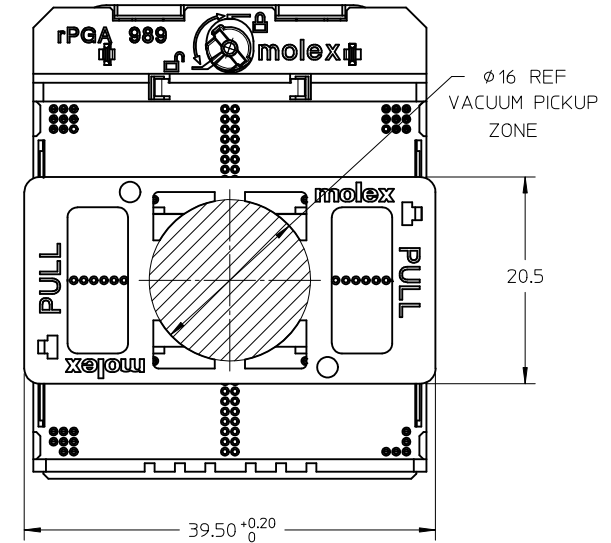
PART NUMBER	PICK UP TYPE		PACKAGE TYPE		PRODUCT SPEC.
	MYLAR	CAP	T&R	HARD TRAY	
47989-9110	◆			◆	PS-47989-002
47989-9120	◆		◆	◆	
47989-9130		◆		◆	
47989-9140		◆	◆	◆	
47989-9210	◆			◆	
47989-9220	◆		◆	◆	
47989-9230		◆		◆	
47989-9240		◆	◆	◆	

PART NO. OF 10u" MIN. GOLD PLATING- TABLE 2

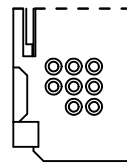
PART NUMBER	PICK UP TYPE		PACKAGE TYPE		PRODUCT SPEC.
	MYLAR	CAP	T&R	HARD TRAY	
47989-9111	◆			◆	PS-47989-003
47989-9121	◆		◆		
47989-9131		◆		◆	
47989-9141		◆	◆	◆	
47989-9211	◆			◆	
47989-9221	◆		◆	◆	
47989-9231		◆		◆	
47989-9241		◆	◆	◆	

PART NO. OF 15u" MIN. GOLD PLATING- TABLE 3

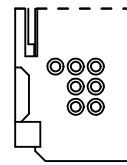
PART NUMBER	PICK UP TYPE		PACKAGE TYPE		PRODUCT SPEC.
	MYLAR	CAP	T&R	HARD TRAY	
47989-9112	◆			◆	PS-47989-001
47989-9122	◆		◆		
47989-9132		◆		◆	
47989-9142		◆	◆	◆	
47989-9212	◆			◆	
47989-9222	◆		◆	◆	
47989-9232		◆		◆	
47989-9242		◆	◆	◆	



(180° ROTATION)

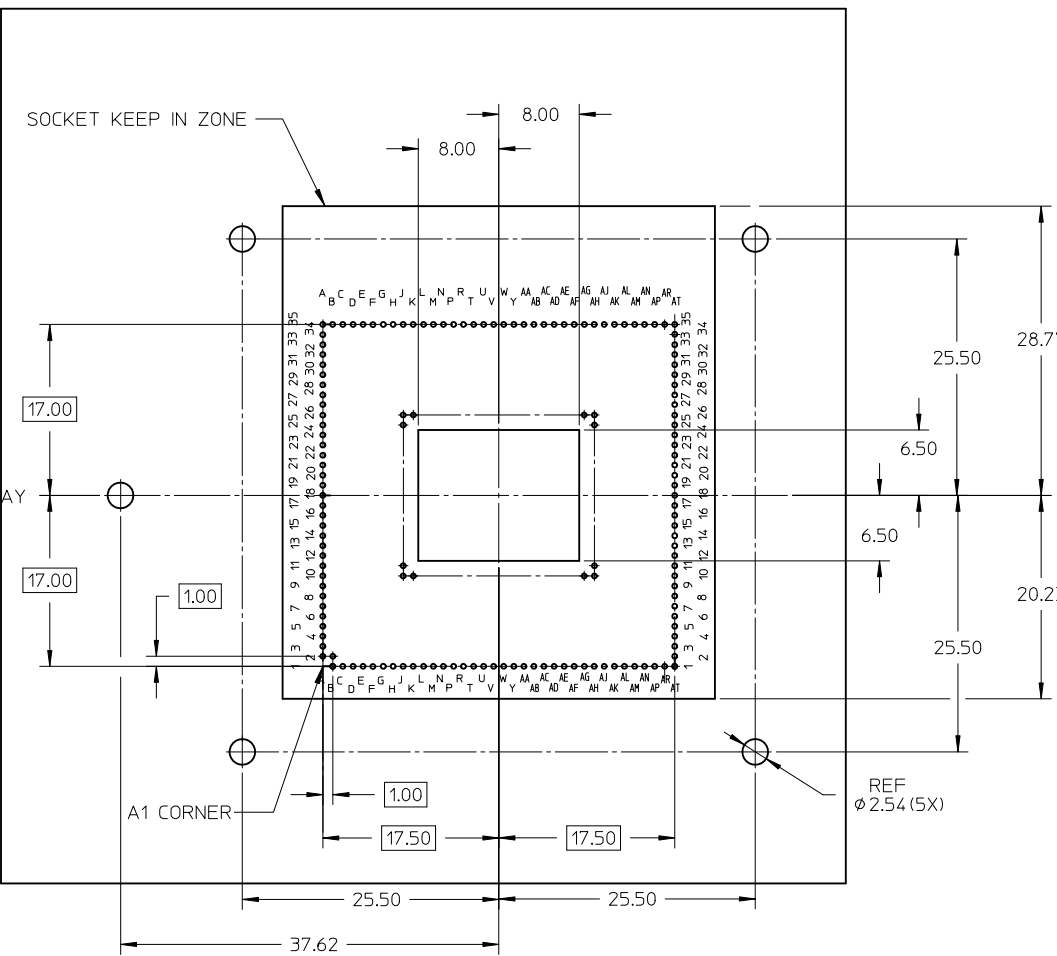


rPGA989
47989-91**



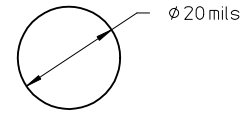
rPGA988A
47989-92**

REVISED EC NO: SH2011-0076 DRWN:ZYAN CHKD: APPR:AYIN 2010/09/03 2010/09/06 2010/09/17	QUALITY SYMBOLS $F_A=0$ $F_C=0$ $F_P=0$	GENERAL TOLERANCES (UNLESS SPECIFIED)		DIMENSION STYLE MM ONLY		SCALE 2:1	DESIGN UNITS METRIC	THIRD ANGLE PROJECTION	
		4 PLACES ± --- ± --- 3 PLACES ± --- ± --- 2 PLACES ± 0.10 ± --- 1 PLACE ± 0.20 ± ---	mm INCH ± --- ± --- ± 0.10 ± --- ± 0.20 ± ---	DRAWN BY QWFANG	DATE 2008/04/25	TITLE RPGA989 SOCKET ASSEMBLY			
		ANGULAR ± 2 °		CHECKED BY JKACHLIC	DATE 2008/05/29	APPROVED BY CL IANG			
		DRAFT WHERE APPLICABLE MUST REMAIN WITHIN DIMENSIONS		MATERIAL NO. SEE TABLE	DATE 2008/05/29	MOLEX INCORPORATED		DOCUMENT NO. SD-47989-001	SHEET NO. 5 OF 6
THIS DRAWING CONTAINS INFORMATION THAT IS PROPRIETARY TO MOLEX INCORPORATED AND SHOULD NOT BE USED WITHOUT WRITTEN PERMISSION									

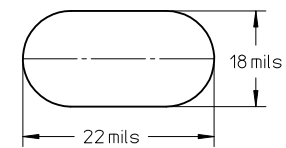


NOTES:
shape pada of PCB are recommended

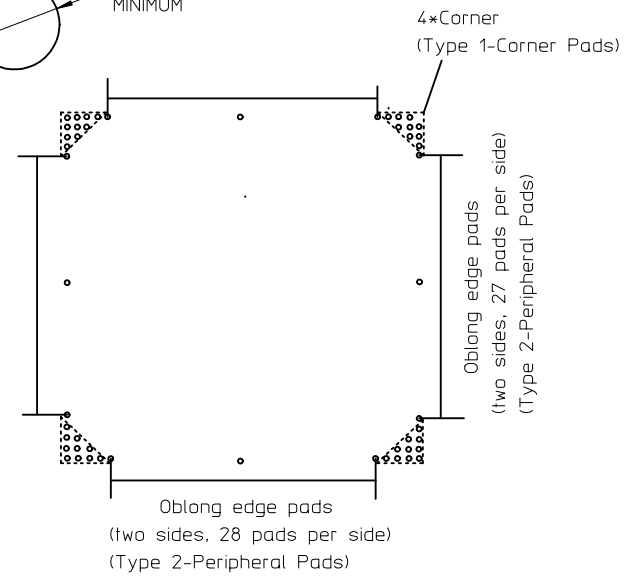
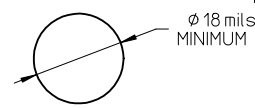
TYPE1-Corner Pads



TYPE2-Peripheral Pads(Oblong-shape pada are recommended)

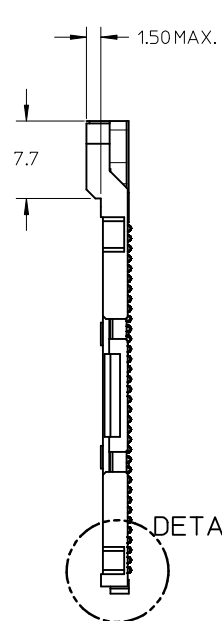
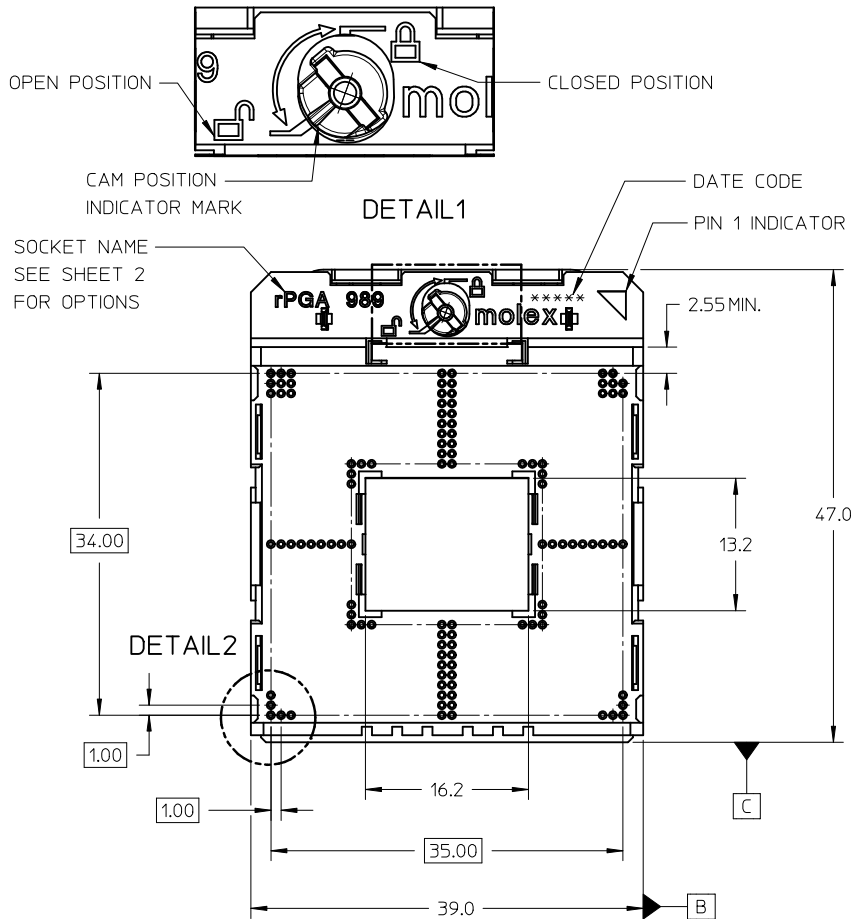


TYPE3-All Other Location Except for those of Type1 and Type2 Locations)

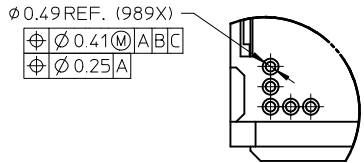
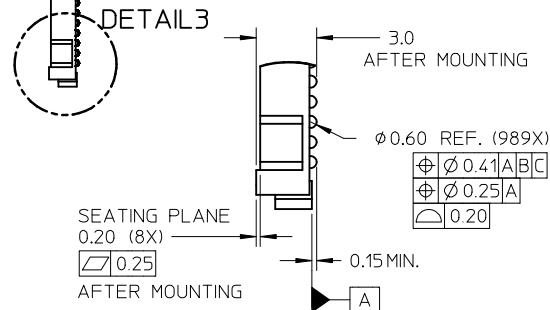
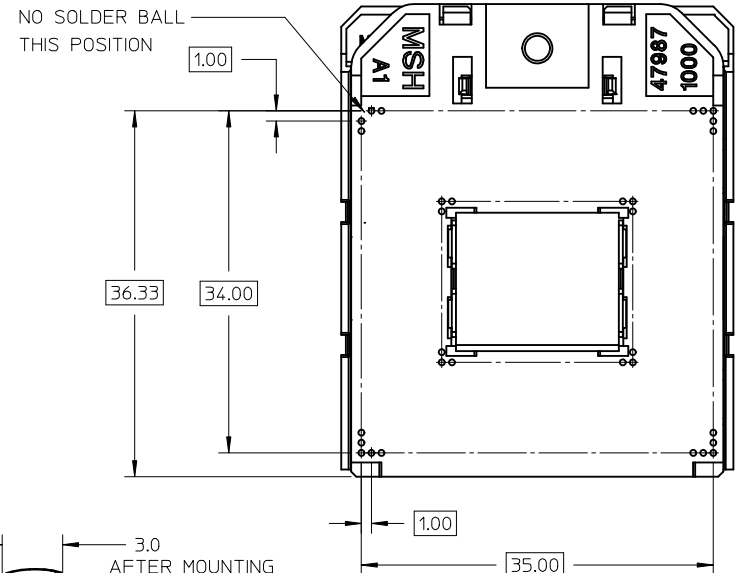


MOTHERBOARD KEEP IN ZONE (KIZ)
(FOR 180° ROTATION)

REVISED EC NO: SH2011-0076 DRWN:ZYXAN CHKD: APPR:AYIN	QUALITY SYMBOLS $\nabla_F = 0$ $\nabla_E = 0$ $\nabla_D = 0$	GENERAL TOLERANCES (UNLESS SPECIFIED)		DIMENSION STYLE MM ONLY		SCALE 2:1	DESIGN UNITS METRIC	THIRD ANGLE PROJECTION		
			mm	INCH	DRAWN BY QWFANG	DATE 2008/04/25	TITLE RPGA989 SOCKET ASSEMBLY			
		4 PLACES	± ---	± ---	CHECKED BY JKACHLIC	DATE 2008/05/29	MOLEX INCORPORATED DOCUMENT NO. SD-47989-001 SHEET NO. 6 OF 6			
		3 PLACES	± ---	± ---	APPROVED BY CL IANG	DATE 2008/05/29				
	2 PLACES	± 0.10	± ---	MATERIAL NO. SEE TABLE		THIS DRAWING CONTAINS INFORMATION THAT IS PROPRIETARY TO MOLEX INCORPORATED AND SHOULD NOT BE USED WITHOUT WRITTEN PERMISSION				
	1 PLACE	± 0.20	± ---	ANGULAR ± 2 °						
DRAFT WHERE APPLICABLE MUST REMAIN WITHIN DIMENSIONS										



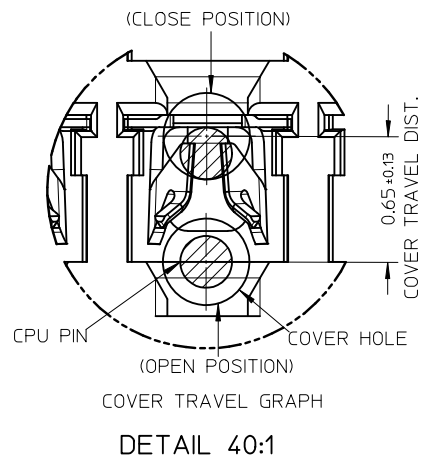
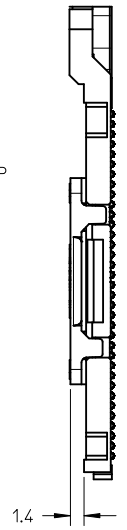
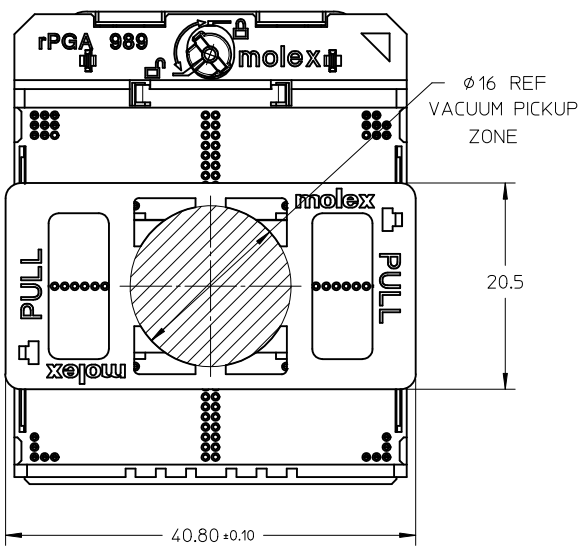
- NOTES:
- 1) THIS SOCKET COMPLIES WITH ALL SPECIFICATIONS AND PERFORMANCE REQUIREMENTS FOR INTEL rPGA98X SERIES CPU PROCESSORS.
 - 2) SOCKET SHOWN IN OPEN POSITION.
 - 3) SEE SHEET 2 FOR DETAILS PERTAINING TO KEYING, MATERIAL AND PACKAGING OPTIONS.
 - 4) THIS PRODUCT SERIES COMPLIANT TO RoHS DIRECTIVE 2002/95/EC AND ELV DIRECTIVE 2000/53/EC.



DETAIL2

REVISED EC NO: SH2011-0076 DRW:ZYYAN CHKD: APPR:AYIN REV B	DESCRIPTION 2010/09/03 2010/09/06 2010/09/17	QUALITY SYMBOLS	GENERAL TOLERANCES (UNLESS SPECIFIED)		DIMENSION STYLE	SCALE	DESIGN UNITS	THIRD ANGLE PROJECTION	
		$F_A=0$ $F_C=0$ $F_P=0$	mm	INCH	MM ONLY	2:1	METRIC		
		4 PLACES ± --- ± --- 3 PLACES ± --- ± --- 2 PLACES ± 0.10 ± --- 1 PLACE ± 0.20 ± ---	DRAWN BY QWFANG DATE 2008/04/25		CHECKED BY JKACHLIC DATE 2008/05/29		APPROVED BY CL IANG DATE 2008/05/29		TITLE
		ANGULAR ± 2 °	DRAFT WHERE APPLICABLE MUST REMAIN WITHIN DIMENSIONS		MATERIAL NO. SEE TABLE		MATERIAL NO. SD-47989-001		SHEET NO. 1 OF 6

REMOVEABLE PICK & PLACE CAP



NOTES:

- 1) MATERIALS:
 MOLDED COMPONENTS: LIQUID CRYSTAL POLYMER (LCP) UL 94V-0
 BASE HOUSING COLOR: BLACK
 COVER COLOR: NATURAL
 MYLAR(POLYIMIDE, COLOR:ORANGE) OR PhP COVER(LCP, COLOR: BLACK)
 FOR PICK & PLACE.
 CONTACTS: HIGH STRENGTH COPPER ALLOY
 PLATING: GOLD THICKNESS AS FOLLOWING TABLE 1-3 IN CONTACT AREA,
 1.3um NICKEL OVERALL
 CAM COMPONENTS: STAINLESS STEEL
 SOLDER BALL: LEAD-FREE BALL SnAg3.0Cu0.5
- 2) DATE CODE *****
 MOLEX INTERNAL USE
 WORKING DAY
 MONTH
 YEAR
- 3) PRODUCT SPECIFICATION PS-47989-00* APPLIES
 4) PACKAGING SPECIFICATION: PK-47989-001 (TAPE & REEL)
 PK-47989-002 (HARD TRAY)

REVISED EC NO: SH2011-0076 DRWN:ZYUAN CHKD: APPR:AYIN	2010/09/03 2010/09/06 2010/09/17	DESCRIPTION REV	QUALITY SYMBOLS	GENERAL TOLERANCES (UNLESS SPECIFIED)	DIMENSION STYLE	SCALE	DESIGN UNITS	THIRD ANGLE PROJECTION	
			▽F=0	mm INCH	MM ONLY	2:1	METRIC	□	
			▽F=0	4 PLACES ± --- ± ---	DRAWN BY DATE	TITLE	MATERIAL NO.	DOCUMENT NO.	SHEET NO.
			▽F=0	3 PLACES ± --- ± ---	QWFANG 2008/04/25				
			2 PLACES ± 0.10 ± ---	CHECKED BY DATE					
			1 PLACE ± 0.20 ± ---	APPROVED BY DATE					
			ANGULAR ± 2 °	CL IANG 2008/05/29					
			DRAFT WHERE APPLICABLE MUST REMAIN WITHIN DIMENSIONS	SEE TABLE					
				SIZE A3	THIS DRAWING CONTAINS INFORMATION THAT IS PROPRIETARY TO MOLEX INCORPORATED AND SHOULD NOT BE USED WITHOUT WRITTEN PERMISSION				

PART NO. OF GF PLATING- TABLE 1

PART NUMBER	PICK UP TYPE		PACKAGE TYPE		PRODUCT SPEC.
	MYLAR	CAP	T&R	HARD TRAY	
47989-0110	◆			◆	PS-47989-002
47989-0120	◆		◆		
47989-0130		◆		◆	
47989-0140		◆	◆		
47989-0210	◆			◆	
47989-0220	◆		◆		
47989-0230		◆		◆	
47989-0240		◆	◆		

PART NO. OF 10u" MIN. GOLD PLATING- TABLE 2

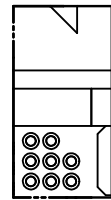
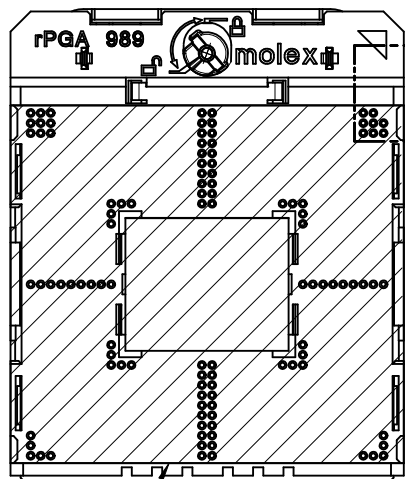
PART NUMBER	PICK UP TYPE		PACKAGE TYPE		PRODUCT SPEC.
	MYLAR	CAP	T&R	HARD TRAY	
47989-0111	◆			◆	PS-47989-003
47989-0121	◆		◆		
47989-0131		◆		◆	
47989-0141		◆	◆		
47989-0211	◆			◆	
47989-0221	◆		◆		
47989-0231		◆		◆	
47989-0241		◆	◆		

PART NO. OF 15u" MIN. GOLD PLATING- TABLE 3

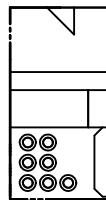
PART NUMBER	PICK UP TYPE		PACKAGE TYPE		PRODUCT SPEC.
	MYLAR	CAP	T&R	HARD TRAY	
47989-0112	◆			◆	PS-47989-001
47989-0122	◆		◆		
47989-0132		◆		◆	
47989-0142		◆	◆		
47989-0212	◆			◆	
47989-0222	◆		◆		
47989-0232		◆		◆	
47989-0242		◆	◆		

SOCKET KEYING OPTIONS

MYLAR PICK & PLACE OPTION



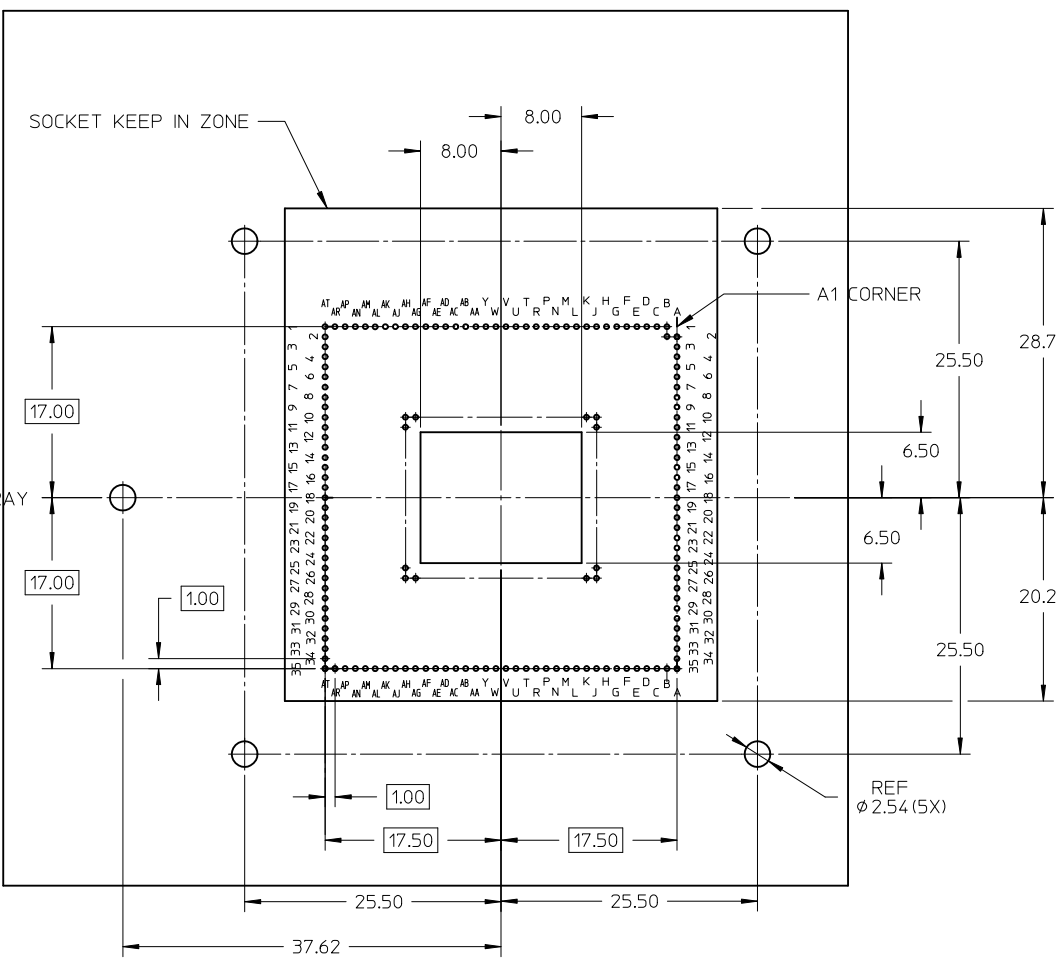
rPGA989
47989-01**



rPGA988A
47989-02**

MYLAR (NORMAL)

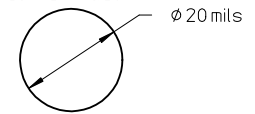
REVISED EC NO: SH2011-0076 DRWN:ZYAN CHKD: APPR:AYIN 2010/09/03 2010/09/06 2010/09/17	QUALITY SYMBOLS $F_A=0$ $F_C=0$ $F_P=0$	GENERAL TOLERANCES (UNLESS SPECIFIED)		DIMENSION STYLE MM ONLY		SCALE 2:1	DESIGN UNITS METRIC	THIRD ANGLE PROJECTION		
		4 PLACES ± --- ± ---	mm INCH	DRAWN BY QWFANG	DATE 2008/04/25	TITLE RPGA989 SOCKET ASSEMBLY				
		3 PLACES ± --- ± ---		CHECKED BY JKACHLIC	DATE 2008/05/29					
		2 PLACES ± 0.10 ± ---		APPROVED BY CL IANG	DATE 2008/05/29	MATERIAL NO. SEE TABLE		MOLEX INCORPORATED		
1 PLACE ± 0.20 ± ---		ANGULAR ± 2 °		DRAFT WHERE APPLICABLE MUST REMAIN WITHIN DIMENSIONS		DOCUMENT NO. SD-47989-001	SHEET NO. 3 OF 6			



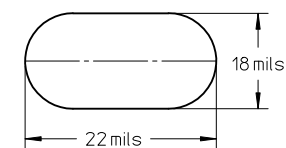
MOTHERBOARD KEEP IN ZONE (KIZ)
(FOR NORMAL)

NOTES:
shape pada of PCB are recommended

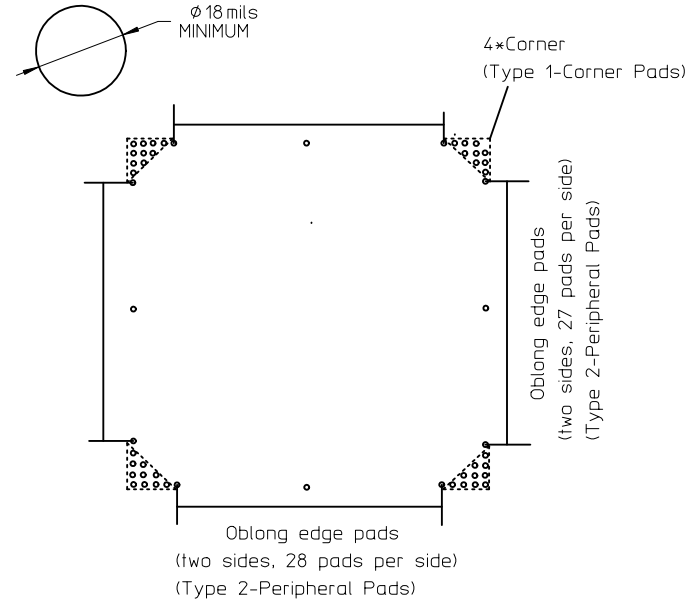
TYPE1-Corner Pads



TYPE2-Peripheral Pads(Oblong-shape pada are recommended)



TYPE3-All Other Location Except for those of Type1 and Type2 Locations)



REVISED EC NO: SH2011-0076 DRWN:ZYAN CHKD: APPR:AYIN	2010/09/03 2010/09/06 2010/09/17	DESCRIPTION REV	QUALITY SYMBOLS	GENERAL TOLERANCES (UNLESS SPECIFIED)		DIMENSION STYLE		SCALE	DESIGN UNITS	THIRD ANGLE PROJECTION
			$F_A = 0$ $F_G = 0$ $F_P = 0$	mm	INCH	MM ONLY		METRIC		
			4 PLACES ± --- ± --- 3 PLACES ± --- ± --- 2 PLACES ± 0.10 ± --- 1 PLACE ± 0.20 ± --- ANGULAR ± 2 °	DRAWN BY DATE		TITLE				
			DRAFT WHERE APPLICABLE MUST REMAIN WITHIN DIMENSIONS	QWFANG 2008/04/25 JKACHLIC 2008/05/29 CL IANG 2008/05/29		RPGA989 SOCKET ASSEMBLY MOLEX INCORPORATED				
				SEE TABLE	DOCUMENT NO.		SHEET NO.			
					THIS DRAWING CONTAINS INFORMATION THAT IS PROPRIETARY TO MOLEX INCORPORATED AND SHOULD NOT BE USED WITHOUT WRITTEN PERMISSION		SD-47989-001		4 OF 6	

PART NO. OF GF PLATING- TABLE 1

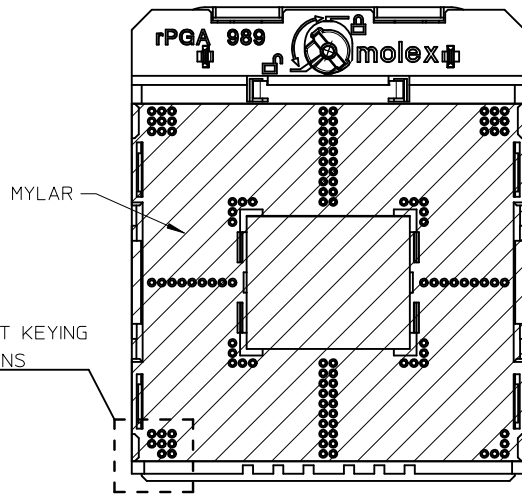
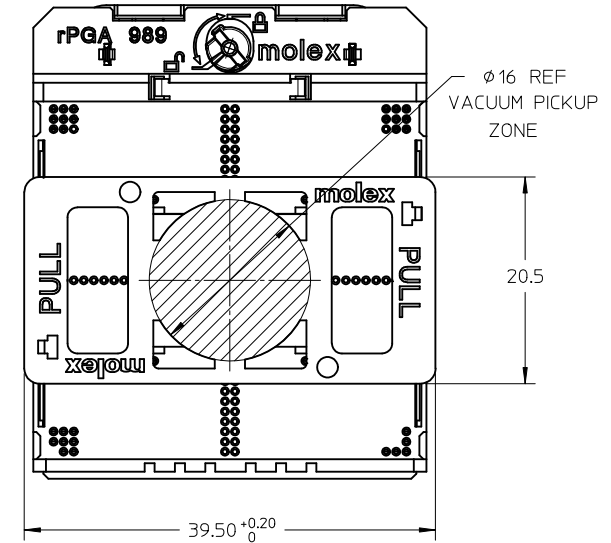
PART NUMBER	PICK UP TYPE		PACKAGE TYPE		PRODUCT SPEC.
	MYLAR	CAP	T&R	HARD TRAY	
47989-9110	◆			◆	PS-47989-002
47989-9120	◆		◆	◆	
47989-9130		◆		◆	
47989-9140		◆	◆	◆	
47989-9210	◆			◆	
47989-9220	◆		◆	◆	
47989-9230		◆		◆	
47989-9240		◆	◆	◆	

PART NO. OF 10u" MIN. GOLD PLATING- TABLE 2

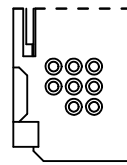
PART NUMBER	PICK UP TYPE		PACKAGE TYPE		PRODUCT SPEC.
	MYLAR	CAP	T&R	HARD TRAY	
47989-9111	◆			◆	PS-47989-003
47989-9121	◆		◆	◆	
47989-9131		◆		◆	
47989-9141		◆	◆	◆	
47989-9211	◆			◆	
47989-9221	◆		◆	◆	
47989-9231		◆		◆	
47989-9241		◆	◆	◆	

PART NO. OF 15u" MIN. GOLD PLATING- TABLE 3

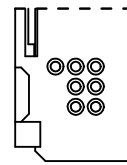
PART NUMBER	PICK UP TYPE		PACKAGE TYPE		PRODUCT SPEC.
	MYLAR	CAP	T&R	HARD TRAY	
47989-9112	◆			◆	PS-47989-001
47989-9122	◆		◆	◆	
47989-9132		◆		◆	
47989-9142		◆	◆	◆	
47989-9212	◆			◆	
47989-9222	◆		◆	◆	
47989-9232		◆		◆	
47989-9242		◆	◆	◆	



(180° ROTATION)

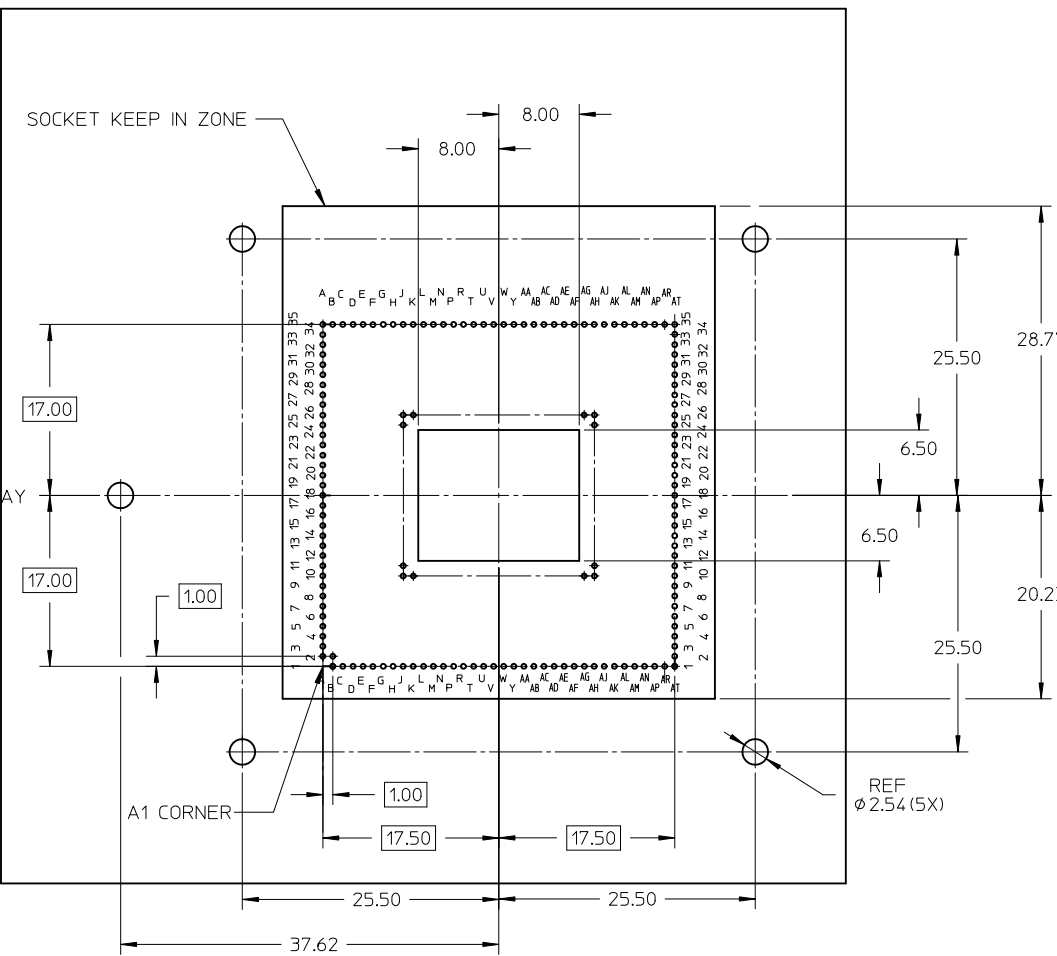


rPGA989
47989-91**



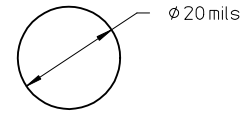
rPGA988A
47989-92**

REVISED EC NO: SH2011-0076 DRWN:ZYAN CHKD: APPR:AYIN	2010/09/03	2010/09/06	2010/09/17	QUALITY SYMBOLS $F_A=0$ $F_C=0$ $F_P=0$	GENERAL TOLERANCES (UNLESS SPECIFIED) mm INCH 4 PLACES ± --- ± --- 3 PLACES ± --- ± --- 2 PLACES ± 0.10 ± --- 1 PLACE ± 0.20 ± --- ANGULAR ± 2 °	DIMENSION STYLE MM ONLY DRAWN BY QWFANG CHECKED BY JKACHLIC APPROVED BY CL IANG DATE 2008/04/25 DATE 2008/05/29 DATE 2008/05/29	SCALE 2:1 DESIGN UNITS METRIC THIRD ANGLE PROJECTION	TITLE RPGA989 SOCKET ASSEMBLY						
	REV B	REV	MATERIAL NO. SEE TABLE						DOCUMENT NO. SD-47989-001	SHEET NO. 5 OF 6				
	DRAFT WHERE APPLICABLE MUST REMAIN WITHIN DIMENSIONS								THIS DRAWING CONTAINS INFORMATION THAT IS PROPRIETARY TO MOLEX INCORPORATED AND SHOULD NOT BE USED WITHOUT WRITTEN PERMISSION					

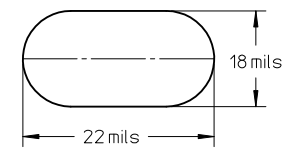


NOTES:
shape pada of PCB are recommended

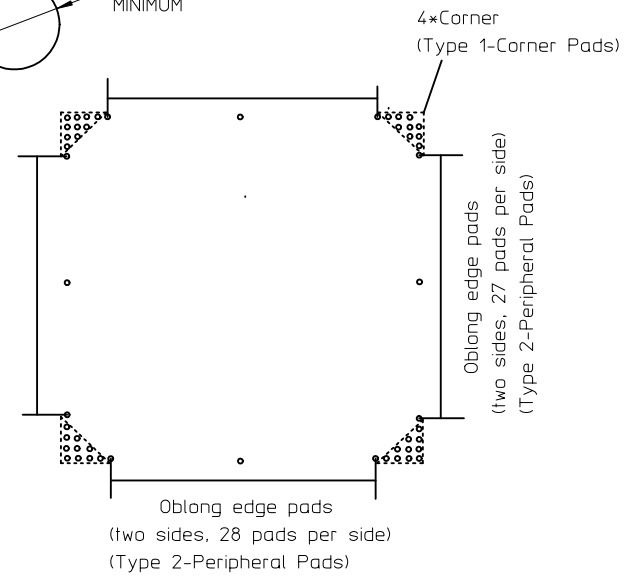
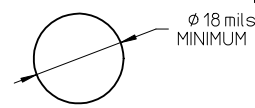
TYPE1-Corner Pads



TYPE2-Peripheral Pads(Oblong-shape pada are recommended)



TYPE3-All Other Location Except for those of Type1 and Type2 Locations)



MOTHERBOARD KEEP IN ZONE (KIZ)
(FOR 180° ROTATION)

REVISED EC NO: SH2011-0076 DRWN:ZYXAN CHKD: APPR:AYIN	QUALITY SYMBOLS $\nabla_F = 0$ $\nabla_E = 0$ $\nabla_D = 0$	GENERAL TOLERANCES (UNLESS SPECIFIED)		DIMENSION STYLE MM ONLY		SCALE 2:1	DESIGN UNITS METRIC	THIRD ANGLE PROJECTION		
			mm	INCH	DRAWN BY QWFANG	DATE 2008/04/25	TITLE RPGA989 SOCKET ASSEMBLY			
		4 PLACES	± ---	± ---	CHECKED BY JKACHLIC	DATE 2008/05/29	MOLEX INCORPORATED DOCUMENT NO. SD-47989-001			
		3 PLACES	± ---	± ---	APPROVED BY CL IANG	DATE 2008/05/29				
	2 PLACES	± 0.10	± ---	MATERIAL NO. SEE TABLE		SHEET NO. 6 OF 6				
	1 PLACE	± 0.20	± ---	DRAFT WHERE APPLICABLE MUST REMAIN WITHIN DIMENSIONS		THIS DRAWING CONTAINS INFORMATION THAT IS PROPRIETARY TO MOLEX INCORPORATED AND SHOULD NOT BE USED WITHOUT WRITTEN PERMISSION				