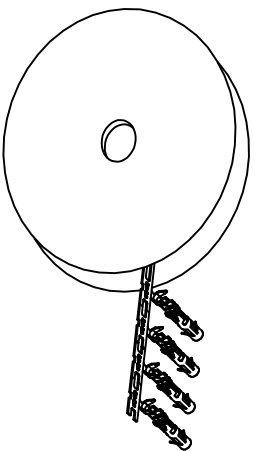


REVISIONS				
REV	ECO	DESCRIPTION	DATE	BY APPR
A1	-	RELEASED DRAWING	Jul-16-18	Flan Tommy

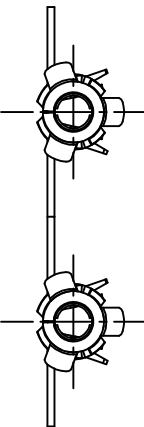
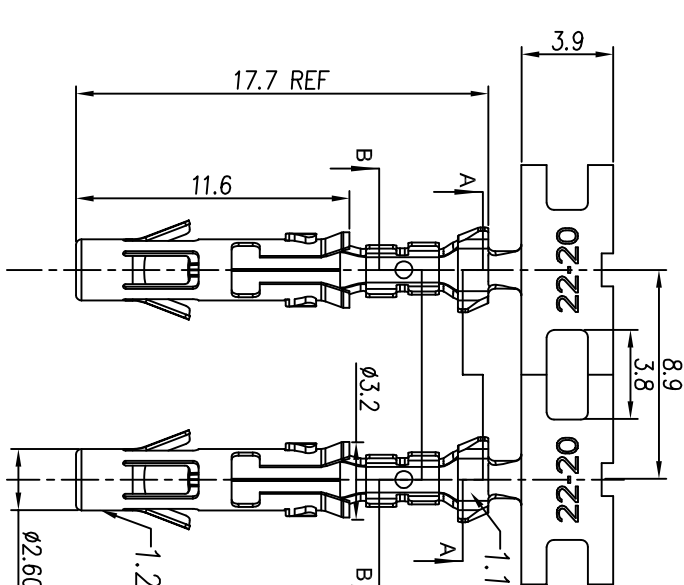
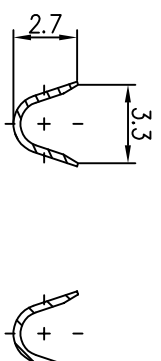
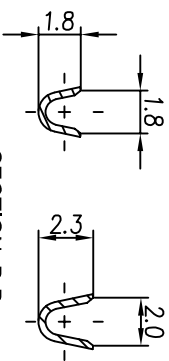


CONTACT ORIENTATION ON ROLL (3000PCS/COIL)

NOTES : (UNLESS OTHERWISE SPECIFIED)

1. MATERIAL :
 - 1.1. CONTACT BODY : COPPER ALLOY.
 - 1.2. OUTER SPRING : STAINLESS STEEL.
2. SPECIFICATIONS :
 - 2.1 CURRENT RATING : 13A MAX.
 - 2.2 TERMINATION TYPE : CRIMPING.
 - 2.3 WIRE RANGE : 20~22AWG.
 - 2.4 WIRE INSULATION DIA(MAX) : ϕ 2.5mm.
3. ROHS COMPLIANT.
4. ALL DIMENSIONS ARE FOR REFERENCE USE ONLY.
5. AVAILABLE TOOLS :
 - 5.1 HAND CRIMPER : MFX-3954.
 - 5.2 CRIMP APPLICATOR : MFX-3957.
 - 5.3 EXTRACTION TOOL : QXRTL16.

P/N	CONTACT PLATING(MATING AREA)
SS20M2T	TIN PLATING OVER NICKEL.
SS20M2N	NICKEL PLATING OVER COPPERIZE.
SS20M2F	GOLD FLASH PLATING OVER NICKEL.
SS20M2G5	5 μ "GOLD PLATING OVER NICKEL.
SS20M2G10	10 μ "GOLD PLATING OVER NICKEL.
SS20M2G15	15 μ "GOLD PLATING OVER NICKEL.
SS20M2G30	30 μ "GOLD PLATING OVER NICKEL.



QUANTITY	PART NUMBER	DESCRIPTION	ITEM

MATERIALS LIST			
UNLESS OTHERWISE SPECIFIED	SIGNATURES	DATE	
1) All dimensions are in millimeters.	DRW: Flan	Jul-16-18	
2) Tolerances are as follows:	CRD: Jod	Jul-16-18	
1 PL DEC 20.30 Fractions 1/16"	ENGR: Tommy	Jul-16-18	
3 PL DEC 20.08 Angles 1°	APPROV: Tommy	Jul-16-18	
3) Note reference = Δ	CUSTOMER:		

PROCESS SPECIFICATIONS			
MATERIAL SPECIFICATIONS			
FINISH SPECIFICATIONS			
MATERIAL SPECIFICATIONS			
PROCESS SPECIFICATIONS			
NEXT ASSY:			

SIZE	TYPE	SCALE	SHEET	OF
B	C-	NONE	1	1

Amphenol
 Sine Systems - www.amphenol-sine.com
 44724 Morley Drive
 Clinton Township, MI 48036

ECO-MATE SOCKET CONTACT,
 STAMPED, 22-20AWG, SIZE 16