

6 5 4 3 2 1

MATERIAL SPECIFICATIONS:

Housing: Nylon-6, UL-94V-0 rated, color black
 Contact / Terminals: Brass. Tin plated

MECHANICAL SPECIFICATIONS:

Withdrawal force: 1.3 to 6.7 Kg
 Panel thickness range: 1.0 ~ 2.0 mm
 Solderability: 270°C for 5 sec. max.

ELECTRICAL SPECIFICATIONS:

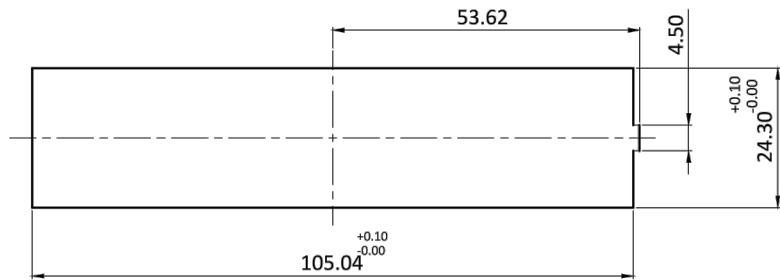
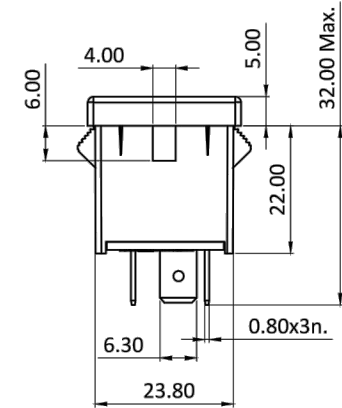
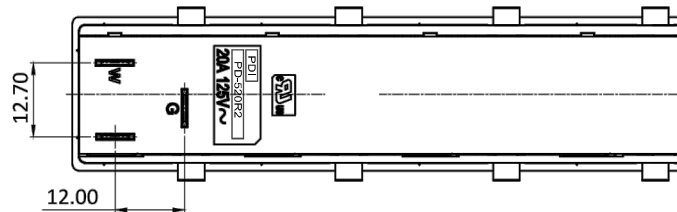
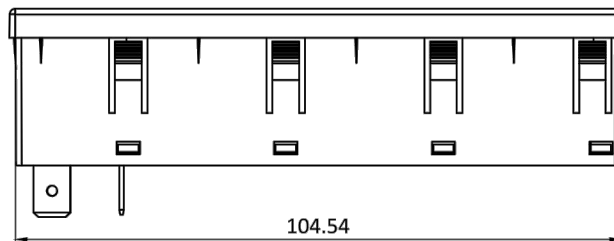
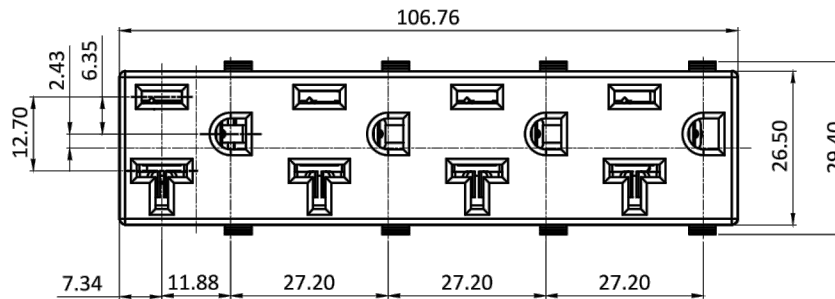
Rated current: 20A
 Rated Voltage: 125VAC
 Contact resistance (initial): 10 mohms max.
 Insulation resistance: 100Mohms min. @ 500VDC
 Dielectric withstanding voltage: 2000 VAC for 1 minute

ENVIRONMENTAL SPECIFICATIONS:

Operating temperature: 0°C to 65°C

SAFETY AGENCY APPROVAL: 

RoHS
 COMPLIANT



RECOMMENDED
 PANEL CUTOUT
 FOR 1.0mm to 2.0mm PANEL THICKNESS

<p>TOLERANCE UNLESS OTHERWISE SPECIFIED X ± 1 X.X ± 0.4 X.XX ± 0.20</p>	
DRAWN BY: PB	DATE: 1/4/21
CHECK BY: -	DATE: -
APPR BY: -	DATE: -

<p>Power Dynamics, Inc. Phone: 973 560-0019 Whippany, New Jersey Fax: 973 560-0076</p>	
<p>PART: 4 GANG NEMA 5-20R SNAP IN RECEPTACLE</p>	
<p>PART #: PD-520R2-4121</p>	
SIZE: A	ALL DIMENSIONS FOR REFERENCE ONLY
SCALE: NTS	REV: -

REVISIONS	CHNG	CHK	APPR
	CHANGE		
	REV	DATE	

6 5 4 3 2 1