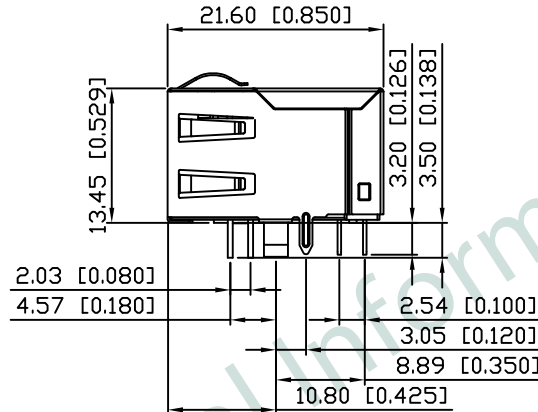
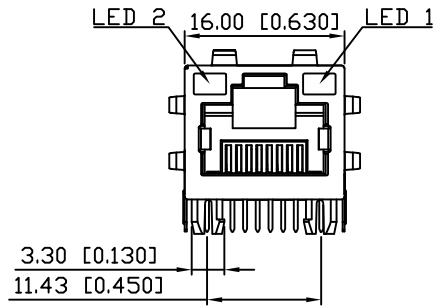
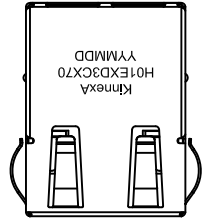
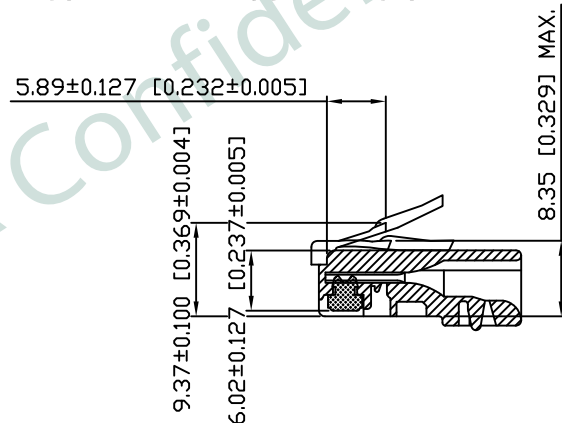


1. MECHANICAL DIMENSIONS :

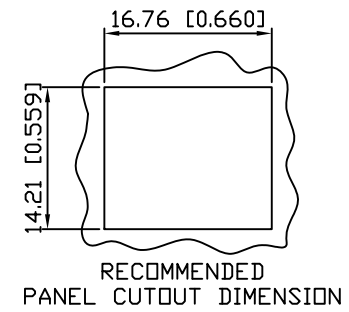
| REV. | DATE | DESCRIPTION |
|------|-----------|-------------|
| 01 | Jul.27,16 | 1st RELEASE |
| | | |
| | | |



RECOMMENDED PLUG DIMENSION:



- NOTES:
- MATERIAL:
HOUSING: HIGH TEMPERATURE, NYLON, UL94V-0, COLOR-BLACK
CONTACTS: PHOSPHOR BRONZE, PLATED 6u" GOLD AND TIN ON SOLDER AREA
SHIELD: COPPER ALLOY, PLATED NICKEL.
 - OPERATING TEMPERATURE: -40°C~+85°C
 - INSERTION FORCE: 4 POUNDS MAX.
EXTRACTION FORCE: 4 POUNDS MAX.
 - DURABILITY: 750 MATING CYCLED MIN.
 - CAVITY CONFORMS TO FCC RULES AND REGULATIONS PART 68, SUBPART F.
 - UNSPECIFIED TOLERANCE: .XX ±0.25[0.010]
.X ±0.30[0.012]

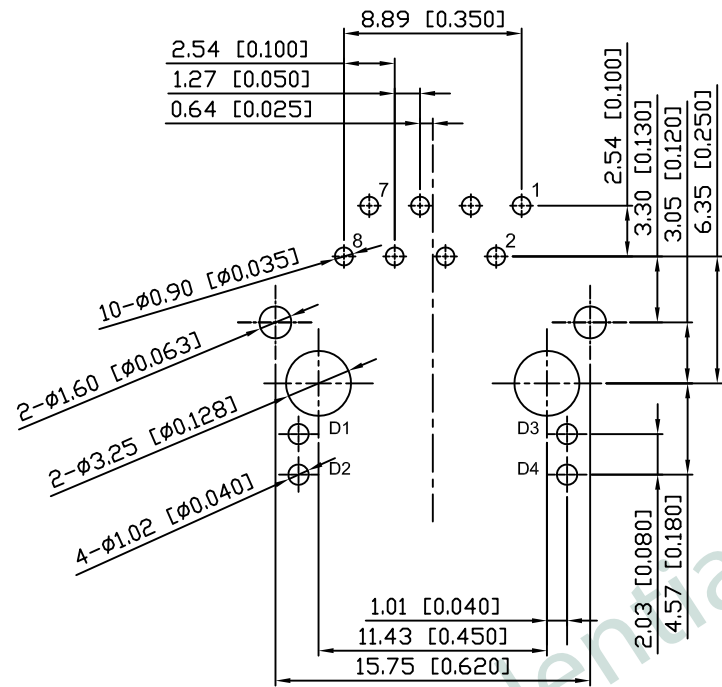


| | |
|------------------------------|---|
| PART NO KRH-01E-X-D3C-X70 | |
| TITLE | RJ45 8P8C, W/ 10/100 TRANSFORMER, W/LED, SHIELDED |
| REV : 01 | |
| UNIT | DRAWN CHKD DATE SHEET |
| mm[inch] | DANIEL RYAN Jul.27,16 1 of 5 |

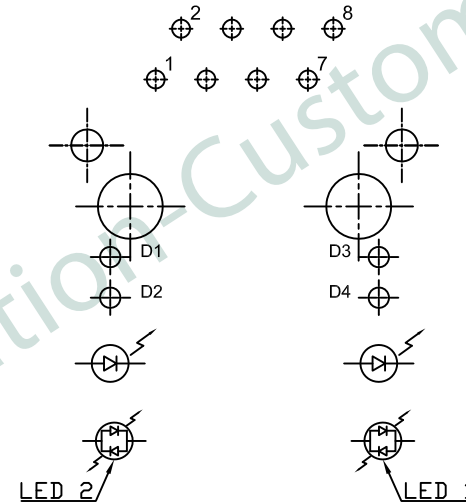
ROHS Compliant

2. PCB LAYOUT :

3. LED CONFIGURATION :



SUGGESTED PCB LAYOUT
(TOP VIEW) SCALE:2:1
DIMENSIONAL TOLERANCE: .XX ±0.08[0.003]



LED Color Options Table

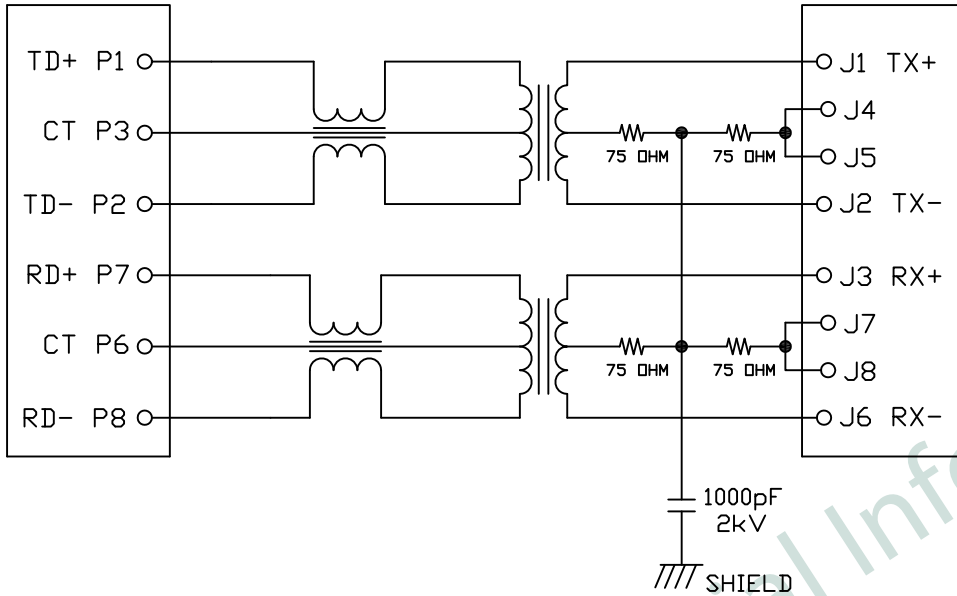
| LED Color Options | | LED DASH OPTION |
|-------------------|-------------------|-----------------|
| Position 2(Left) | Position 1(Right) | |
| Yellow | Green | 1 |
| Green | Yellow | 4 |
| Green | Green | 5 |
| Yellow/Green | Yellow/Green | 8 |
| Green/Yellow | Green/Yellow | A |
| Green | Green/Yellow | D |
| Yellow | Green/Yellow | E |
| Green/Yellow | Green | H |

| | | | | |
|---------------------------|---|------|-----------|--------|
| PART NO KRH-01E-X-D3C-X70 | | | | |
| TITLE | RJ45 8P8C, W/ 10/100 TRANSFORMER, W/LED, SHIELDED | | | |
| REV : 01 | | | | |
| UNIT | DRAWN | CHKD | DATE | SHEET |
| mm[inch] | DANIEL | RYAN | Jul.27,16 | 2 of 5 |

4. SCHEMATIC :

LAN CHIP SIDE

RJ CABLE SIDE



5. ELECTRICAL CHARACTERISTICS :

TEST NOTES:($25 \pm 5^\circ\text{C}$)

- 1.TR:
INPUT TO OUTPUT= $1:1 \pm 3\%$
- 2.LX:(100KHz,100mV,8mA, DC Bias)
350uH MINIMUM
- 3.DCR:
EVERY RJ PAIR= 1.2Ω MAXIMUM
- 4.HIPOT:
INPUT TO OUTPUT PIN: 1500 VAC/60SEC
- 5.INSERTION LOSS:
-0.8dB MAXIMUM AT 0.3MHz TO 100MHz
-1.2dB MAXIMUM AT 100MHz TO 125MHz
- 6.RETURN LOSS:
-20dB MINIMUM AT 1MHz TO 10MHz
-16dB MINIMUM AT 30MHz
-12dB MINIMUM AT 60MHz TO 100MHz
- 7.CROSS TALK:
-40dB MINIMUM AT 1MHz TO 10MHz
-35dB MINIMUM AT 30MHz TO 60MHz
-30dB MINIMUM AT 60MHz TO 100MHz
- 8.COMMON TO COMMON MODE REJECTION:
-30dB MINIMUM AT 300KHz TO 100MHz

KRH-01E-X-D3C-X70

PRODUCT SERIES
KRH: LATCH UP

MECHANICAL TYPE
01E: KRH 1 PDRT, LENGTH=21.3mm,
STAGGERED PINS
LED COLOR OPTION

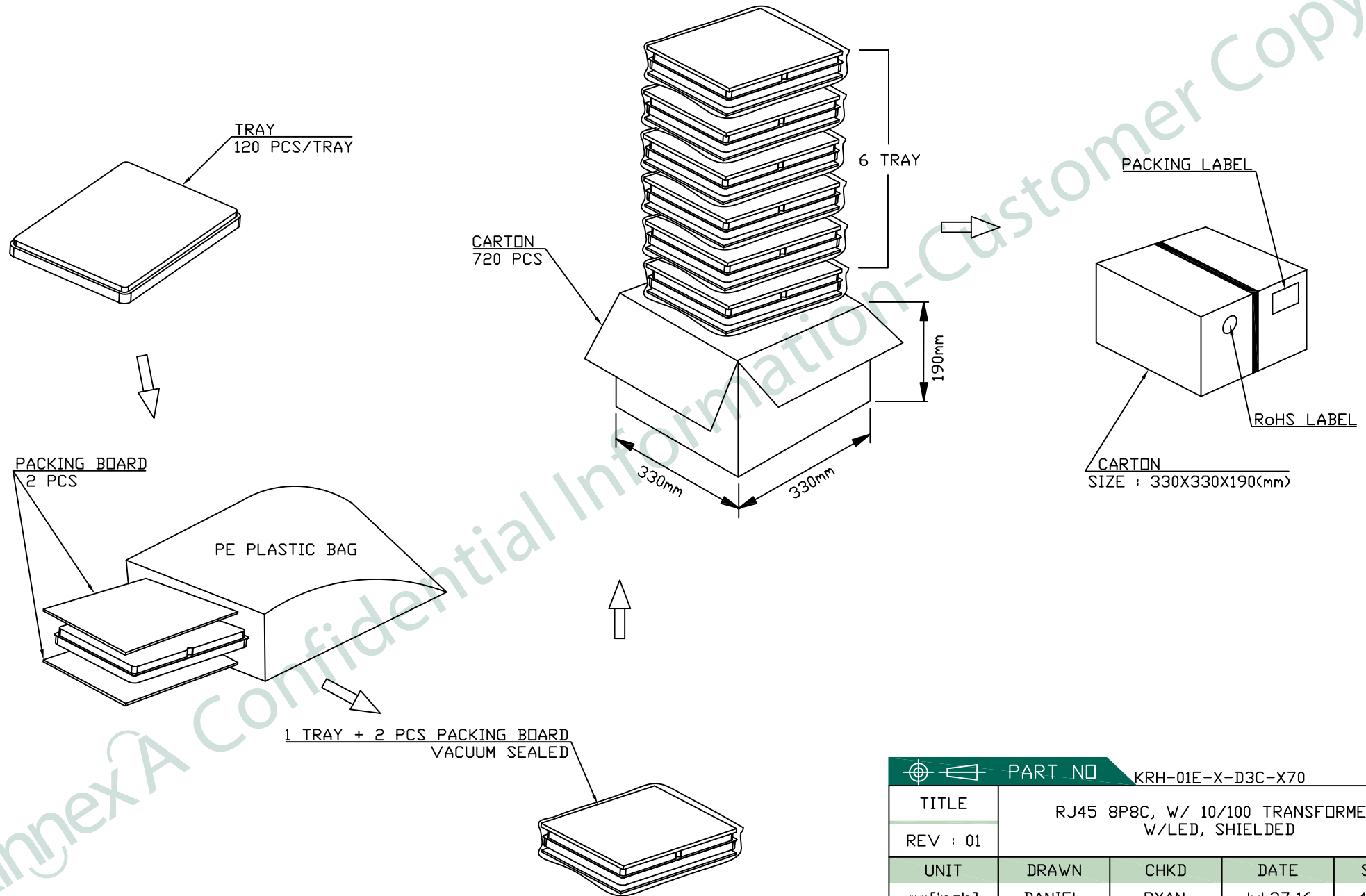
CIRCUIT TYPE


SPECIAL CODE
0: STANDARD

SHIELDED TYPE
7: EMI FINGER ON ALL SIDE
LED POLARITY

| | | | | |
|----------|--|-------------------|-----------|--------|
| PART NO | | KRH-01E-X-D3C-X70 | | |
| TITLE | RJ45 8P8C, W/ 10/100 TRANSFORMER, W/LED, SHIELDED | | | |
| REV : 01 | | | | |
| UNIT | DRAWN | CHKD | DATE | SHEET |
| mm[inch] | DANIEL | RYAN | Jul.27,16 | 3 of 5 |

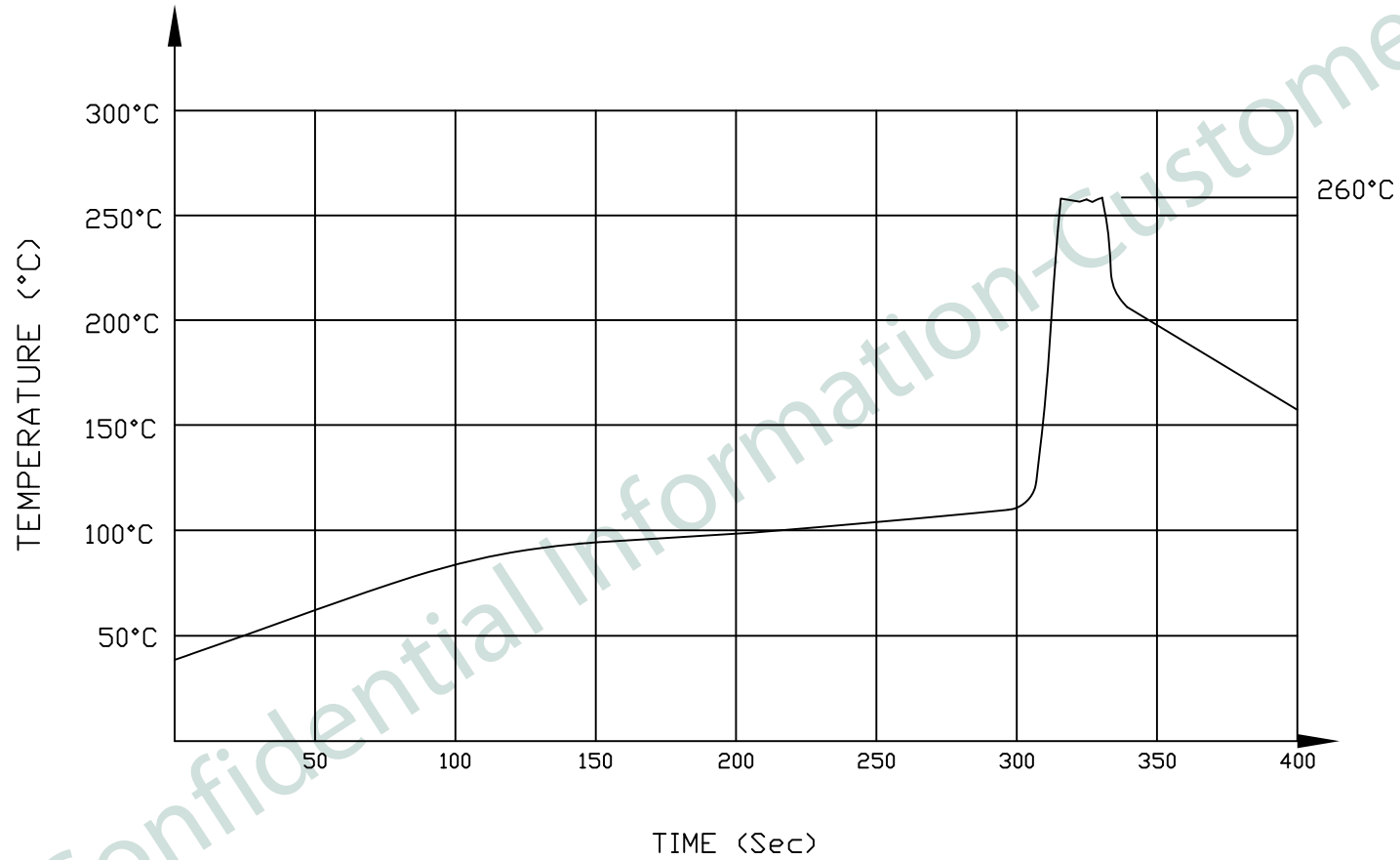
6. PACKING SPECIFICATION:



| | | | | |
|---|--------|---|-----------|--------|
|  PART NO | | KRH-01E-X-D3C-X70 | | |
| TITLE | | RJ45 8P8C, W/ 10/100 TRANSFORMER, W/LED, SHIELDED | | |
| REV : 01 | | | | |
| UNIT | DRAWN | CHKD | DATE | SHEET |
| mm[inch] | DANIEL | RYAN | Jul.27,16 | 4 of 5 |

RoHS Compliant


7. PROFILE OF WAVE SOLDER :



SUGGESTED WAVE SOLDER CURVE

(1) TIP temperature : 260±5°C

(2) TIP temperature time : 10Sec. Max.

| | | | | |
|---|---|------|-----------|--------|
|  PART NO KRH-01E-X-D3C-X70 | | | | |
| TITLE | RJ45 8P8C, W/ 10/100 TRANSFORMER, W/LED, SHIELDED | | | |
| REV : 01 | | | | |
| UNIT | DRAWN | CHKD | DATE | SHEET |
| mm[inch] | DANIEL | RYAN | Jul.27,16 | 5 of 5 |