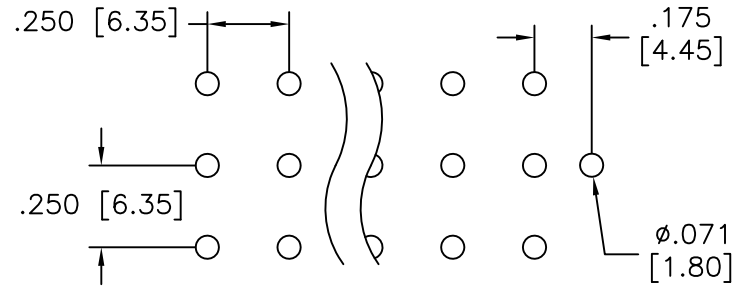
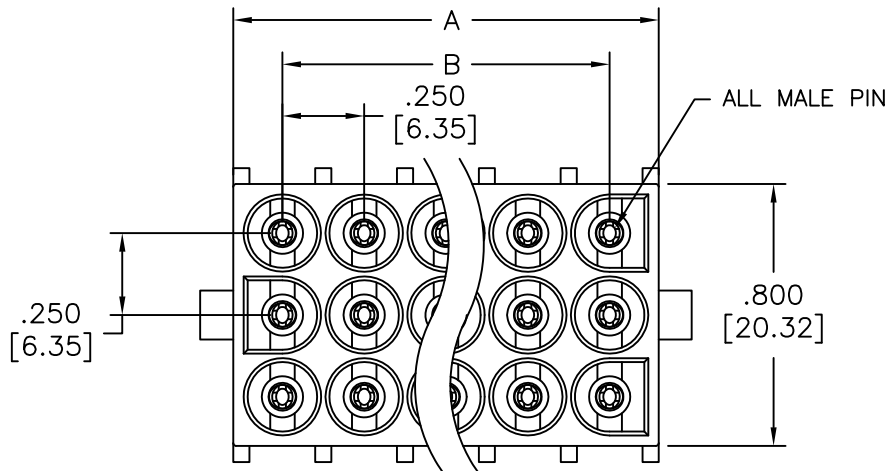
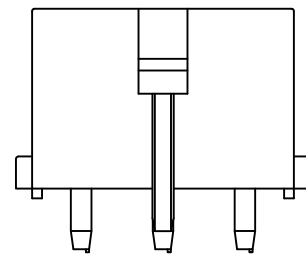
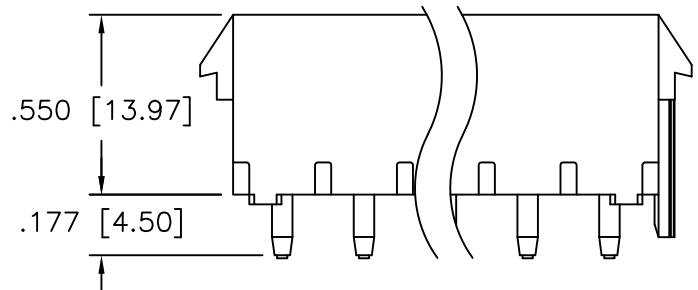


APPROVED: _____
 DATE: _____ TITLE: _____

Rev	AWO #	Description	Date	Appr
-		RELEASED	4/22/11	



Recommended PCB Layout



SPECIFICATIONS:

Material:
 Insulator: Nylon 66, rated UL 94V-2
 Insulator color: Natural
 Contacts: Phosphor Bronze
 Plating:
 Tin over Nickel underplate overall
 Electrical:
 Operating voltage: 600 VAC max
 Current rating: 13 Amps max.
 Insulation resistance: 1000 Mohms min @ 500 VDC
 Dielectric withstanding voltage: 5000 VAC for 1 minute
 Mechanical:
 Temperature Rating:
 Operating temperature: -25°C to +85°C
 Environmental:
 Lead free, RoHS compliant.



A = .250 [6.35] X No. of Positions + .050 [1.27]
 B = .250 [6.35] X No. of Spaces

UNLESS OTHERWISE SPECIFIED ALL DIMENSIONS ARE MM [INCHES] TOLERANCES: EXCEPT AS NOTED		ADAM TECH 909 Rahway Avenue, Union, NJ 07083 Phone: 908-687-5000 Fax: 908-687-5710	
INCHES HOLES .X ± .10 Ø.X ± .10 .XX ± .020 Ø.XX ± .015 .XXX ± .015 Ø.XXX ± .010			
APPROVALS		TITLE	
DRAWN	AY	6.35mm PITCH POWER CONNECTORS MALE PIN, TIN PLATED, WITH POLARIZING	
CHECKED	RC	DATE	4/22/11
APPROVED		SIZE	X
		PART NO.	DME-XX-S-P-SQ
		REV.	-
		REF:	S00123T
		SCALE:	NTS
		SHEET	1 OF 2

6 5 4 3 2 1

6 5 4 3 2 1

6 5 4 3 2 1

APPROVED: _____
 DATE: _____ TITLE: _____

Rev	AWO #	Description	Date	Appr
SEE SHT 1 OF 2 FOR REVISION				

D

C

B

A

6 POSITION 12 POSITION

9 POSITION 15 POSITION

UNLESS OTHERWISE SPECIFIED
 ALL DIMENSIONS ARE INCHES [MM]
 TOLERANCES: EXCEPT AS NOTED
 INCHES HOLES
 .X ± .10 Ø.X ± .10
 .XX ± .020 Ø.XX ± .015
 .XXX ± .015 Ø.XXX ± .010

ADAM TECH
 909 Rahway Avenue, Union, NJ 07083
 Phone: 908-687-5000 Fax: 908-687-5710

APPROVALS		DATE	TITLE
DRAWN	AY	4/22/11	6.35mm PITCH POWER CONNECTORS MALE PIN, TIN PLATED, WITH POLARIZING
CHECKED	RC	4/22/11	
APPROVED			
SIZE	PART NO.	REF:	REV.
X	DME-XX-S-P-SQ	S00123T	-
SCALE: NTS		SHEET 2 OF 2	

6 5 4 3 2 1