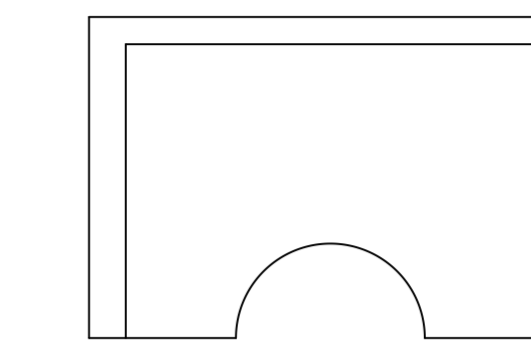
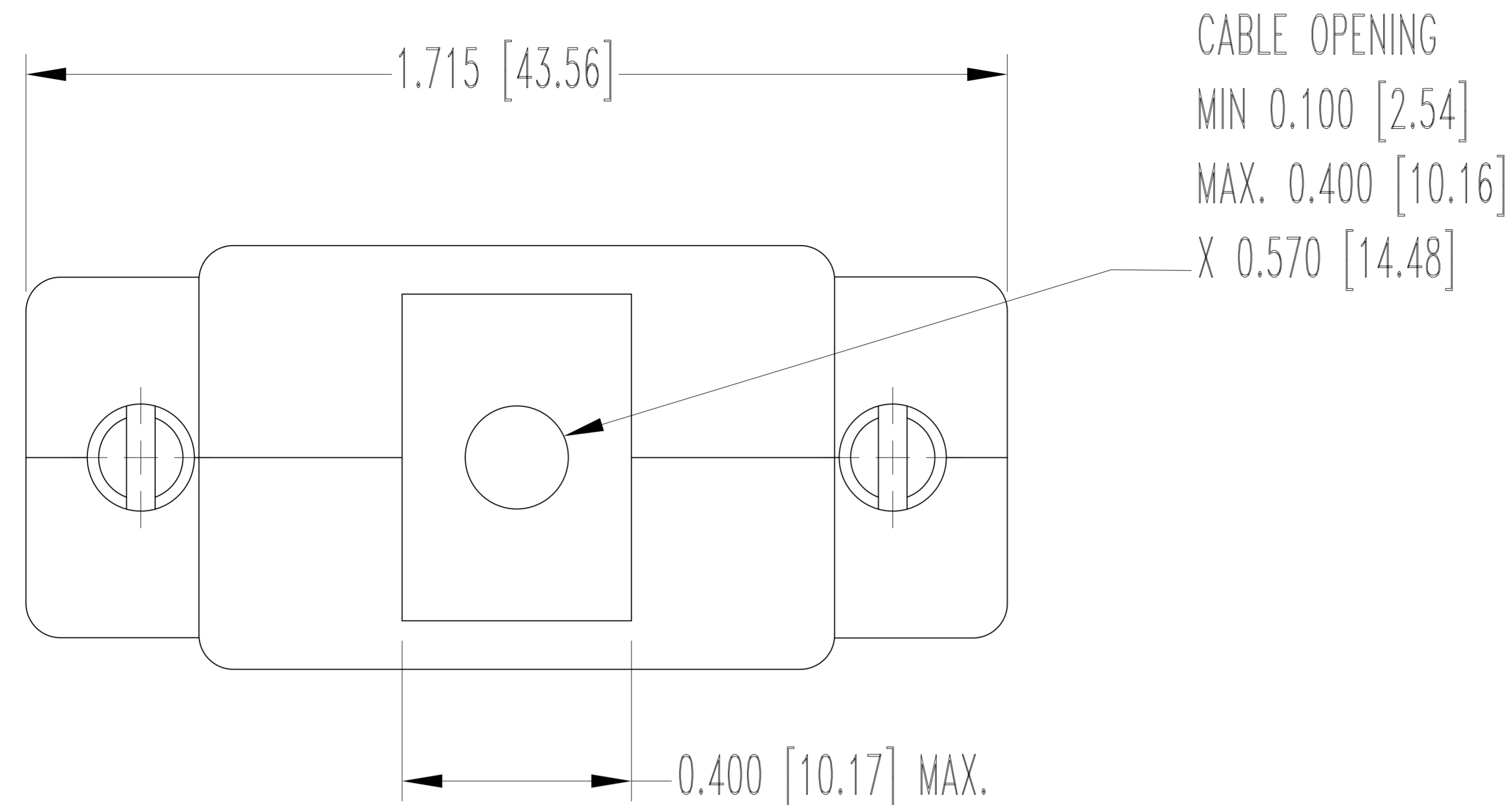
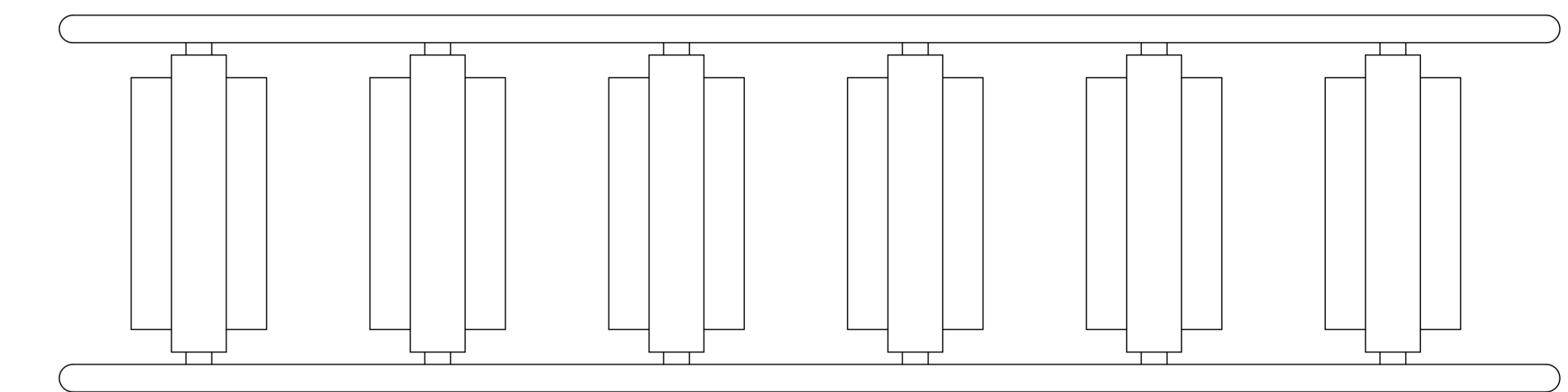
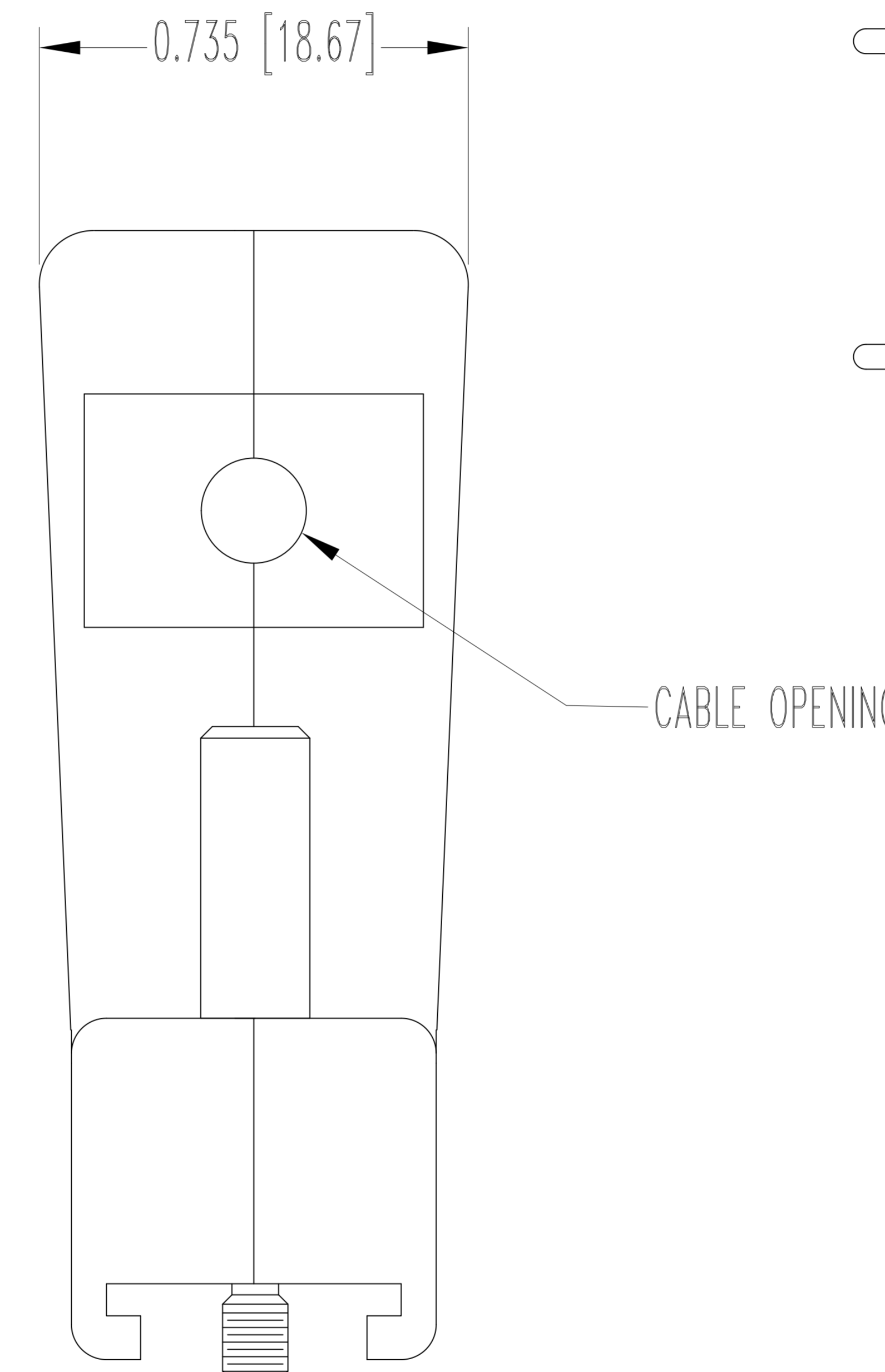
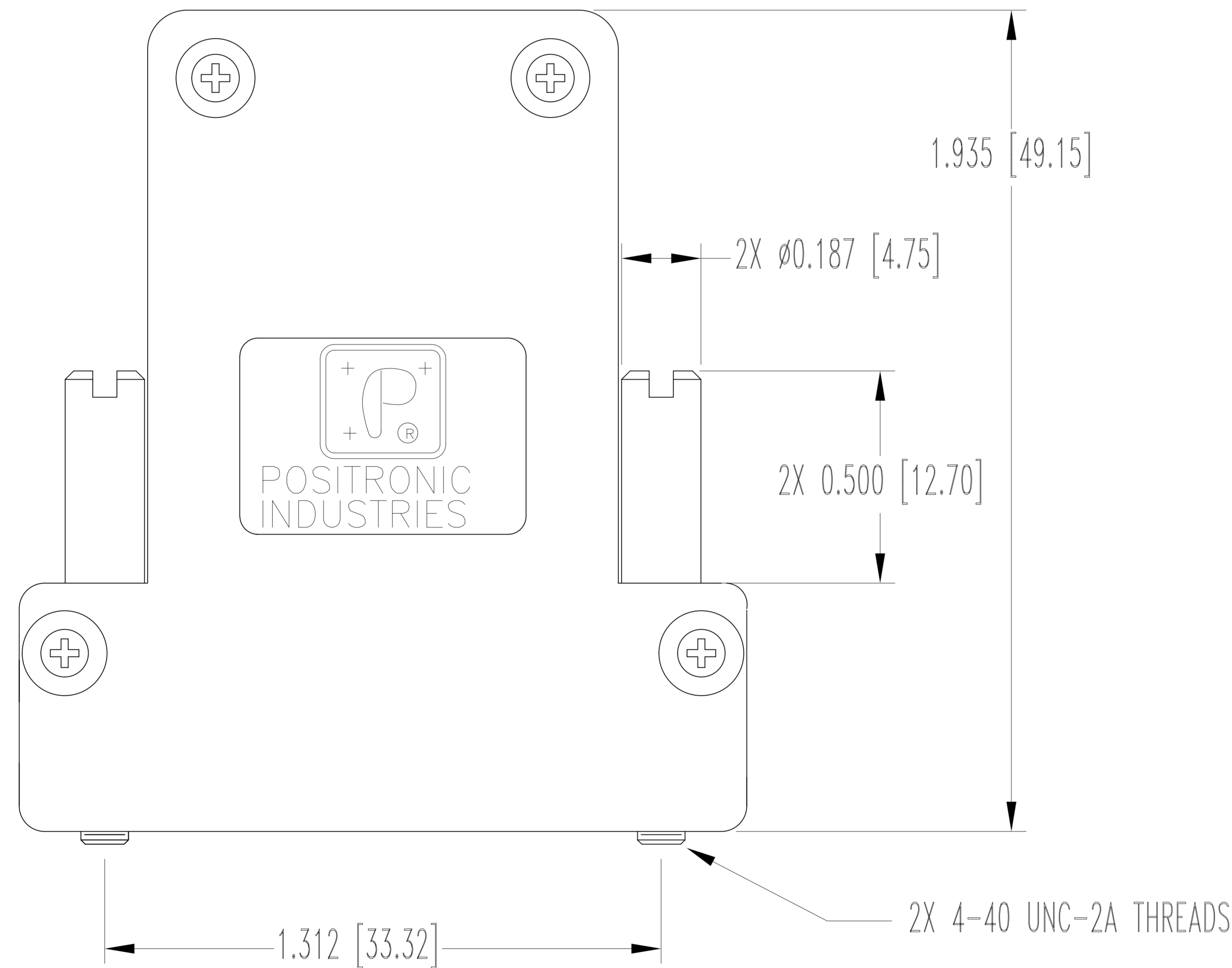


DATE	REV	REVISION RECORD	APP	DR	CK
08-13 19	B	ECO 68858	RK	PY	AB

THIS DRAWING CONTAINS INFORMATION PROPRIETARY TO POSITRONIC AND IT'S SUBSIDIARIES. POSITRONIC BELIEVES THE DATA ON THIS DRAWING TO BE RELIABLE, SINCE THE TECHNICAL INFORMATION IS GIVEN FREE OF CHARGE, THE USER EMPLOYS SUCH INFORMATION AT HIS OWN DISCRETION AND RISK. POSITRONIC ASSUMES NO RESPONSIBILITY FOR RESULTS OBTAINED OR DAMAGES INCURRED FROM USE OF SUCH INFORMATION IN WHOLE OR IN PART.



TYPICAL INSERT



INSERT TREE ASSEMBLY

NOTES:

- MATERIALS AND FINISHES:  
HOOD: COMPOSITE, UL-94V-, COLOR: BLACK.  
JACKSCREWS: STEEL, ZINC PLATE WITH CHROMATE SEAL.  
SCREWS: STAINLESS STEEL, PASSIVATED.
- DETAILED PRODUCT, MECHANICAL AND ELECTRICAL INFORMATION IS AVAILABLE IN THE LATEST D-SUB ACCESSORIES PRODUCT PUBLICATION AT CONNECTPOSITRONIC.COM.
- CONNECTORS ARE COMPLIANT TO THE CURRENT RoHS DIRECTIVES.
- DIMENSIONS ARE IN INCHES [MILLIMETERS].

	<b>POSITRONIC INDUSTRIES INC.</b> SPRINGFIELD, MISSOURI 65801		SCALE N.T.S.	DRAWN BY YK
	DECIMAL TOL. ± 0.015 [0.38]	D SERIES	APPROVED BY R. WILLIAMS	
ANGULAR TOL. ± 5°	TITLE D15000Z00/AA			
DATE 3-28-06	DRAWING NUMBER SK7216		REV. B	