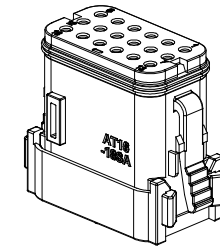
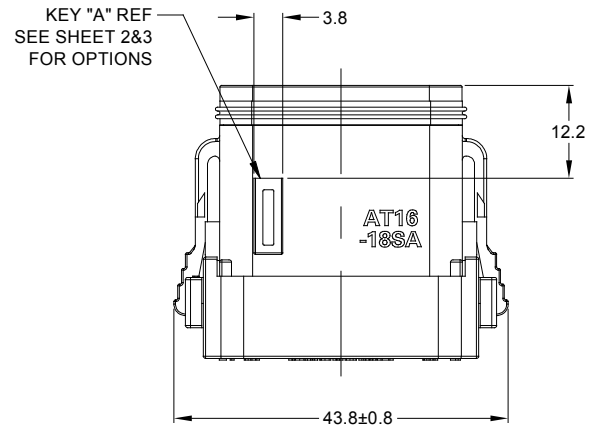
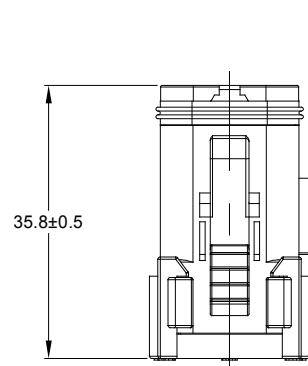
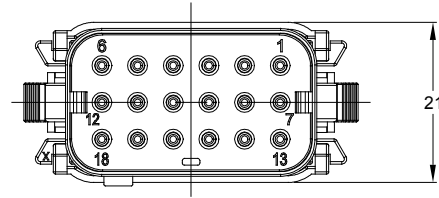
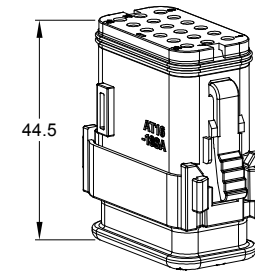


| REVISIONS | | | | | |
|-----------|-----|-------------|-----------|-------|-------|
| REV | ECO | DESCRIPTION | DATE | BY | APPR |
| B1 | - | RELEASE | 28JUN2020 | ZENIN | TOMMY |



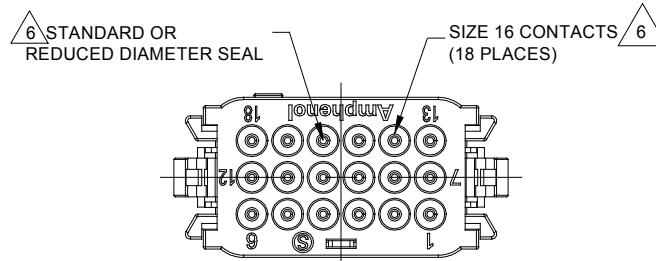
SHOWN WITH END CAP



SHOWN WITH STRAIN RELIEF

NOTES: UNLESS OTHERWISE SPECIFIED

- MATERIAL:
HOUSING: THERMOPLASTIC; COLOR: SEE CHART
END CAP: THERMOPLASTIC; COLOR: BLACK
STRAIN RELIEF CAP: THERMOPLASTIC; COLOR: BLACK
SEALS: SILICONE RUBBER; COLOR: RED, RD COLOR: GREEN
- MODIFICATIONS: END CAP, STRAIN RELIEF CAP (OPT), STANDARD SEAL, REDUCED DIAMETER SEAL (OPT).
- SPECIFICATIONS:
3.1 CURRENT RATING: 13 AMPS
3.2 OPERATING TEMPERATURE: -55°C TO +125°C
3.3 DIELECTRIC WITHSTANDING VOLTAGE: LESS THAN 2 MILLIAMPS CURRENT LEAKAGE @ 1500 VOLTS AC.
3.4 INSULATION RESISTANCE: 1000 MEGOHMS MIN @ 25°C.
3.5 MOISTURE RESISTANCE:
IP68(1M OF WATER FOR A PERIOD OF 24 HOURS , MATED CONDITION)
IP69K(MATED CONDITION)
3.6 MATING CYCLE DURABILITY: 100 CYCLES
3.7 RoHS COMPLIANT
- MATING PART: AT16-18PX-* RECEPTACLES
(X = A,B,C,D,E KEYS; * = MODIFICATIONS AND COLORS)
- ALL DIMENSIONS ARE FOR REFERENCE USE ONLY.



6 CONTACT SIZE AND REAR SEAL WIRE RANGE

REDUCED DIAMETER SEAL:

| CONTACT SIZE | MIN. INSUL O.D. | MAX. INSUL O.D. | TYPICAL WIRE RANGE |
|--------------|-------------------|-------------------|--------------------|
| 16 | 1.35 mm (.053 in) | 3.05 mm (.120 in) | 14 - 20 AWG |

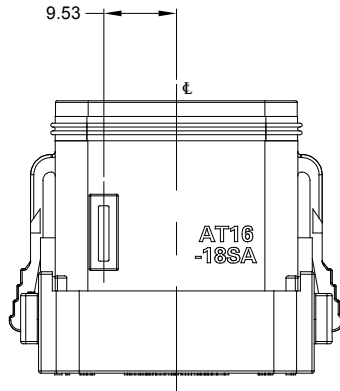
STANDARD SEAL:

| CONTACT SIZE | MIN. INSUL O.D. | MAX. INSUL O.D. | TYPICAL WIRE RANGE |
|--------------|-------------------|-------------------|--------------------|
| 16 | 2.24 mm (.088 in) | 3.68 mm (.145 in) | 14 - 20 AWG |

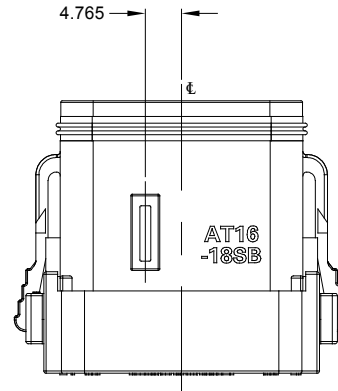
| SEE PIN CHART | | PART NUMBER | | DESCRIPTION | | ITEM |
|---|--|--|--|--|--|--|
| QUANTITY | | SIGNATURES | | DATE | | SINE Systems Corporation A Subsidiary of Amphenol Corporation 44724 Morley Drive Clinton Township, MI 48036 18 POSITION PLUG, SOCKET, AT SERIES |
| UNLESS OTHERWISE SPECIFIED | | DRAWN: ZENIN, DENG | | 28JUN20 | | |
| 1) All dimensions are in metric (mm). | | CHECKED: ORION LI | | 28JUN20 | | |
| 2) Tolerances are as follows: 1 PL DEC ±0.30 2 PL DEC ±0.15 3 PL DEC ±0.08 | | APPROVAL: TOMMY, XIE | | 30JUN20 | | |
| 3) Note reference = | | MATERIAL SPECIFICATIONS: | | CUSTOMER: | | SIZE B C- AT16-18SX-XXXXXX SCALE NONE SHEET 1 OF 3 |
| PROCESS SPECIFICATIONS: | | THIS DRAWING IS SUPPLIED FOR INFORMATION ONLY. DESIGN FEATURES, SPECIFICATIONS AND PERFORMANCE DATA SHOWN HEREON ARE THE PROPERTY OF THE AMPHENOL CORPORATION. NO RIGHTS OF REPRODUCTION ARE IMPLIED. ALL DIMENSIONS ARE SUBJECT TO NORMAL MANUFACTURING VARIATIONS. | | DWG NO: AT16-18SA-K004, DT16-18SB-K004, DT16-18SC-K004, DT16-18SD-K004, DT16-18SE-K004, DT16-18SA-E002, DT16-18SB-E002, DT16-18SC-E002, DT16-18SD-E002, DT16-18SE-E002 | | |
| NEXT ASSY: | | FSCM NO: | | REVISION B1 | | |

TITLE: AT SERIES, PLUG, 18 SOCKET
 DWG NO: AT16-18SX-XXXXXX
 REV: B1
 SH: 1
 OF: 3

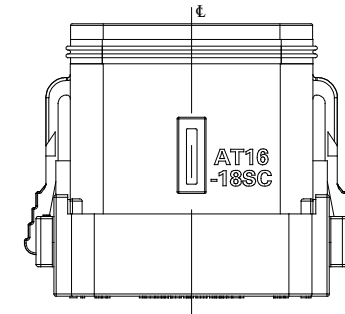
| REVISIONS | | | | | |
|-----------|-----|-------------|-----------|-------|-------|
| REV | ECO | DESCRIPTION | DATE | BY | APPR |
| B1 | - | RELEASE | 28JUN2020 | ZENIN | TOMMY |



| KEY-A CONFIGURATION | | | |
|---------------------|---------------|-------|--------------|
| PART NUMBER | STRAIN RELIEF | COLOR | SEAL |
| AT16-18SA-K004 | NO | BLACK | REDUCED DIA. |
| AT16-18SA-EK02 | NO | GRAY | REDUCED DIA. |
| AT16-18SA-SR02 | YES | BLACK | REDUCED DIA. |
| AT16-18SA-EKSR02 | YES | GRAY | REDUCED DIA. |
| AT16-18SA-K005 | NO | BLACK | STANDARD |
| AT16-18SA-EK03 | NO | GRAY | STANDARD |
| AT16-18SA-SR03 | YES | BLACK | STANDARD |
| AT16-18SA-EKSR03 | YES | GRAY | STANDARD |



| KEY-B CONFIGURATION | | | |
|---------------------|---------------|-------|--------------|
| PART NUMBER | STRAIN RELIEF | COLOR | SEAL |
| AT16-18SB-K004 | NO | BLACK | REDUCED DIA. |
| AT16-18SB-SR02 | YES | BLACK | REDUCED DIA. |
| AT16-18SB-K005 | NO | BLACK | STANDARD |
| AT16-18SB-SR03 | YES | BLACK | STANDARD |



| KEY-C CONFIGURATION | | | |
|---------------------|---------------|-------|--------------|
| PART NUMBER | STRAIN RELIEF | COLOR | SEAL |
| AT16-18SC-K004 | NO | BLACK | REDUCED DIA. |
| AT16-18SC-EK02 | NO | GREEN | REDUCED DIA. |
| AT16-18SC-SR02 | YES | BLACK | REDUCED DIA. |
| AT16-18SC-EKSR02 | YES | GREEN | REDUCED DIA. |
| AT16-18SC-K005 | NO | BLACK | STANDARD |
| AT16-18SC-EK03 | NO | GREEN | STANDARD |
| AT16-18SC-SR03 | YES | BLACK | STANDARD |
| AT16-18SC-EKSR03 | YES | GREEN | STANDARD |

| SEE P/N CHART | | DESCRIPTION | | ITEM |
|--|-------------|--|--|------|
| QUANTITY | PART NUMBER | MATERIALS LIST | | |
| UNLESS OTHERWISE SPECIFIED 1) All dimensions are in metric(mm). 2) Tolerances are as follows: 1 PL DEC ±0.30 Fractions ±1/64 2 PL DEC ±0.15 Angles ±1° 3 PL DEC ±0.08 3) Note reference = | | | | |
| SIGNATURES | | DATE | | |
| DRAWN: ZENINDENG | | 28JUN20 | | |
| CHECKED: ORIONLI | | 28JUN20 | | |
| ENGINEER: | | | | |
| APPROVAL: TOMMYXIE | | 30JUN20 | | |
| CUSTOMER: | | | | |
| MATERIAL SPECIFICATIONS: | | THIS DRAWING IS SUPPLIED FOR INFORMATION ONLY. DESIGN FEATURES, SPECIFICATIONS AND PERFORMANCE DATA SHOWN HEREON ARE THE PROPERTY OF THE AMPHENOL CORPORATION. NO RIGHTS OF REPRODUCTION ARE IMPLIED. ALL DIMENSIONS ARE SUBJECT TO NORMAL MANUFACTURING VARIATIONS. | | |
| PROCESS SPECIFICATIONS: | | SCALE: NONE | | |
| NEXT ASSY: | | SHEET 2 OF 3 | | |

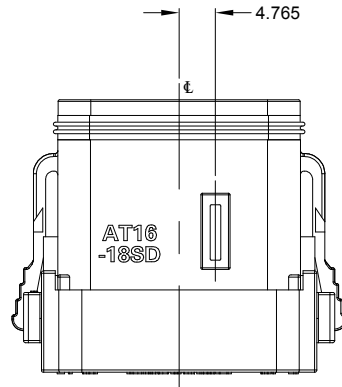
SINE Systems Corporation
 A Subsidiary of Amphenol Corporation
 44724 Morley Drive
 Clinton Township, MI 48036

18 POSITION PLUG, SOCKET, AT SERIES

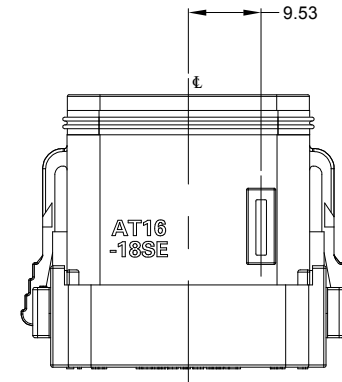
SIZE: **B C-** AT16-18SX-XXXXXX **B1**

TITLE: AT SERIES, PLUG, 18 SOCKET
 DWG NO.: AT16-18SX-XXXXXX
 REV: B1
 SH: 2
 OF: 3

| REVISIONS | | | | | |
|-----------|-----|-------------|-----------|-------|-------|
| REV | ECO | DESCRIPTION | DATE | BY | APPR |
| B1 | - | RELEASE | 28JUN2020 | ZENIN | TOMMY |



| KEY-D CONFIGURATION | | | |
|---------------------|---------------|-------|--------------|
| PART NUMBER | STRAIN RELIEF | COLOR | SEAL |
| AT16-18SD-K004 | NO | BLACK | REDUCED DIA. |
| AT16-18SD-EK02 | NO | BROWN | REDUCED DIA. |
| AT16-18SD-SR02 | YES | BLACK | REDUCED DIA. |
| AT16-18SD-EKSR02 | YES | BROWN | REDUCED DIA. |
| AT16-18SD-K005 | NO | BLACK | STANDARD |
| AT16-18SD-EK03 | NO | BROWN | STANDARD |
| AT16-18SD-SR03 | YES | BLACK | STANDARD |
| AT16-18SD-EKSR03 | YES | BROWN | STANDARD |



| KEY-E CONFIGURATION | | | |
|---------------------|---------------|-------|--------------|
| PART NUMBER | STRAIN RELIEF | COLOR | SEAL |
| AT16-18SE-K004 | NO | BLACK | REDUCED DIA. |
| AT16-18SE-EK02 | NO | GRAY | REDUCED DIA. |
| AT16-18SE-SR02 | YES | BLACK | REDUCED DIA. |
| AT16-18SE-EKSR02 | YES | GRAY | REDUCED DIA. |
| AT16-18SE-K005 | NO | BLACK | STANDARD |
| AT16-18SE-EK03 | NO | GRAY | STANDARD |
| AT16-18SE-SR03 | YES | BLACK | STANDARD |
| AT16-18SE-EKSR03 | YES | GRAY | STANDARD |

| SEE P/N CHART | | DESCRIPTION | | ITEM |
|--|-------------|--|--|---|
| QUANTITY | PART NUMBER | MATERIALS LIST | | |
| UNLESS OTHERWISE SPECIFIED 1) All dimensions are in metric(mm). 2) Tolerances are as follows: 1 PL DEC ±0.30 2 PL DEC ±0.15 3 PL DEC ±0.08 Fractions ±1/64 Angles ±1° 3) Note reference = | | SIGNATURES DRAWN: ZENIN,DENG 28JUN20 CHECKED: ORIONLI 28JUN20 ENGINEER: APPROVAL: TOMMY,XIE 30JUN20 CUSTOMER: | | SINE Systems Corporation A Subsidiary of Amphenol Corporation 44724 Morley Drive Clinton Township, MI 48036 |
| MATERIAL SPECIFICATIONS: PROCESS SPECIFICATIONS: NEXT ASSY: | | THIS DRAWING IS SUPPLIED FOR INFORMATION ONLY. DESIGN FEATURES, SPECIFICATIONS AND PERFORMANCE DATA SHOWN HEREON ARE THE PROPERTY OF THE AMPHENOL CORPORATION. NO RIGHTS OF REPRODUCTION ARE IMPLIED. ALL DIMENSIONS ARE SUBJECT TO NORMAL MANUFACTURING VARIATIONS. | | 18 POSITION PLUG, SOCKET, AT SERIES SIZE: B C- AT16-18SX-XXXXXX B1 SCALE: NONE |
| | | THIS DRAWING IS SUPPLIED FOR INFORMATION ONLY. DESIGN FEATURES, SPECIFICATIONS AND PERFORMANCE DATA SHOWN HEREON ARE THE PROPERTY OF THE AMPHENOL CORPORATION. NO RIGHTS OF REPRODUCTION ARE IMPLIED. ALL DIMENSIONS ARE SUBJECT TO NORMAL MANUFACTURING VARIATIONS. | | REVISION: B1 SHEET 3 OF 3 |

TITLE: AT SERIES, PLUG, 18 SOCKET
 DWG NO.: AT16-18SX-XXXXXX
 REV: B1
 SH: 3
 OF: 3

AT Series™ - Contact Size 16 Options

| Machined Contacts, Sockets & Pins | | | | |
|-----------------------------------|--|------|-------|----------|
| Part Number | Description | Size | AWG | Type |
| AT60-215-1631 | Male Contact - Pin, Gold-plated | 16 | 14 | Machined |
| AT62-209-1631 | Female Contact - Socket, Gold-plated | 16 | 14 | Machined |
| AT60-215-16141 | Male Contact - Pin, Nickel-plated | 16 | 14 | Machined |
| AT62-209-16141 | Female Contact - Socket, Nickel-plated | 16 | 14 | Machined |
| AT60-202-1631 | Male Contact - Pin, Gold-plated | 16 | 16-20 | Machined |
| AT62-201-1631 | Female Contact - Socket, Gold-plated | 16 | 16-20 | Machined |
| AT60-202-16141 | Male Contact - Pin, Nickel-plated | 16 | 16-20 | Machined |
| AT62-201-16141 | Female Contact - Socket, Nickel-plated | 16 | 16-20 | Machined |
| AT60-202-1631-22 | Male Contact - Pin, Gold-plated | 16 | 22-24 | Machined |
| AT62-201-1631-22 | Female Contact - Socket, Gold-plated | 16 | 22-24 | Machined |
| AT60-202-16141-22 | Male Contact - Pin, Nickel-plated | 16 | 22-24 | Machined |
| AT62-201-16141-22 | Female Contact - Socket, Nickel-plated | 16 | 22-24 | Machined |

| Tooling - Machined Contacts | | |
|---|-------------|---|
| Part | Part Number | Description |
|  | CA-5D12 | Universal Hand Crimp Tool, Size 12/16/20 (Machined contacts only) |
|  | CA-5E12 | Pneumatic Crimp Tool, Size 12/16/20 (Machined contacts only) |

| Contact Removal Tools | | |
|---|---------------|---|
| Part | Part Number | Description |
|  | ATRT-100 | Used for removal of contacts for A Series™ products |
|  | AT11-310-1605 | Contact Removal Tool, Plastic, Size 16 |

| Sealing Plugs | | |
|---|------------------|---|
| Part | Part Number | Description |
|  | A114017 | Sealing Plug, Size 16, White |
|  | A114017-SR | Sealing Plug, Size 16, SR01 Series, Black |
|  | AT13-217-1605 | Locking Sealing Plug, Size 16, Grey |
|  | AT13-217-1605-SR | Locking Sealing Plug, Size 16, SR01 Series, Red |

| Stamped & Formed Contacts, Sockets & Pins | | | | |
|---|--|------|-------|------------------|
| Part Number | Description | Size | AWG | Type |
| AT60-14-0144 | Male Contact - Pin, Gold-plated | 16 | 14-16 | Stamped & Formed |
| AT62-14-0144 | Female Contact - Socket, Gold-plated | 16 | 14-16 | Stamped & Formed |
| AT60-14-0122 | Male Contact - Pin, Nickel-plated | 16 | 14-16 | Stamped & Formed |
| AT62-14-0122 | Female Contact - Socket, Nickel-plated | 16 | 14-16 | Stamped & Formed |
| AT60-16-0144 | Male Contact - Pin, Gold-plated | 16 | 16-18 | Stamped & Formed |
| AT62-16-0144 | Female Contact - Socket, Gold-plated | 16 | 16-18 | Stamped & Formed |
| AT60-16-0122 | Male Contact - Pin, Nickel-plated | 16 | 16-18 | Stamped & Formed |
| AT62-16-0122 | Female Contact - Socket, Nickel-plated | 16 | 16-18 | Stamped & Formed |
| AT60-16-0644 | Male Contact - Pin, Gold-plated | 16 | 18-20 | Stamped & Formed |
| AT62-16-0644 | Female Contact - Socket, Gold-plated | 16 | 18-20 | Stamped & Formed |
| AT60-16-0622 | Male Contact - Pin, Nickel-plated | 16 | 18-20 | Stamped & Formed |
| AT62-16-0622 | Female Contact - Socket, Nickel-plated | 16 | 18-20 | Stamped & Formed |
| AT60-16-0844 | Male Contact - Pin, Gold-plated | 16 | 20-22 | Stamped & Formed |
| AT62-16-0844 | Female Contact - Socket, Gold-plated | 16 | 20-22 | Stamped & Formed |
| AT60-16-0822 | Male Contact - Pin, Nickel-plated | 16 | 20-22 | Stamped & Formed |
| AT62-16-0822 | Female Contact - Socket, Nickel-plated | 16 | 20-22 | Stamped & Formed |

| Tooling - Stamped & Formed Contacts | | |
|--|-------------|---|
| Part | Part Number | Description |
|  | MFY-3950 | Crimp Die - Size 16, 18-20AWG (S&F contacts only) |
| | MFY-3953 | Crimp Die - Size 16, 16-18AWG (S&F contacts only) |
| | MFY-3975 | Crimp Die - Size 16, 14-16AWG (S&F contacts only) |
| | MFY-3990 | Crimp Die - Size 16, 20-22AWG (S&F contacts only) |
|  | ATT-16-00 | Hand Crimp Tool - Size 16, 14-16AWG (S&F contacts only) |
| | ATT-16-01 | Hand Crimp Tool - Size 16, 18-20AWG (S&F contacts only) |
| | ATT-1612-03 | Hand Crimp Tool - Size 16, 20-22AWG (S&F contacts only) |