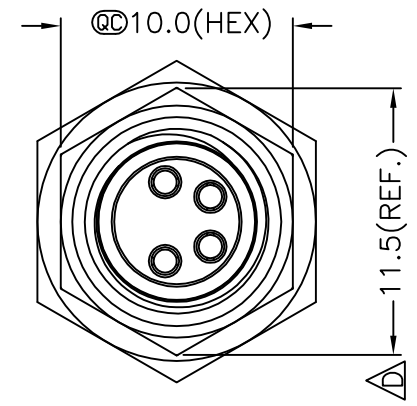
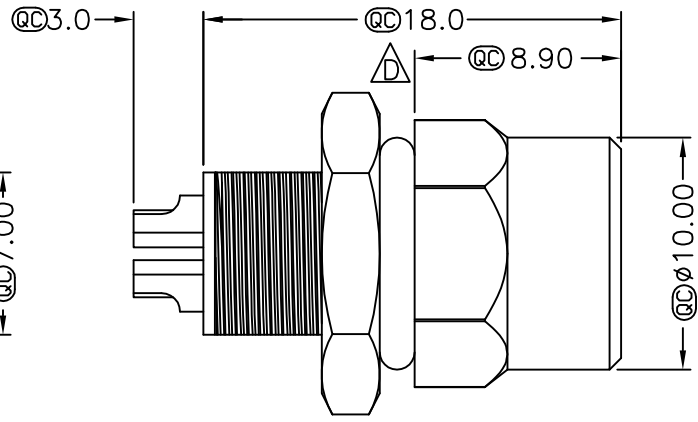
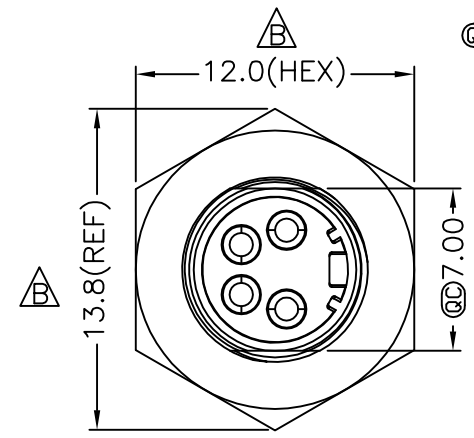
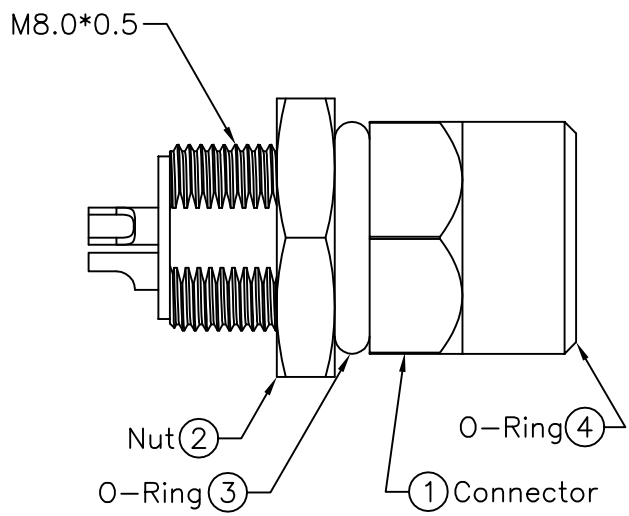


REV	ECN NO.	DATE	SIGN	DESCRIPTION
B	LEN-750248	2007/05/26	Jason	Change Dimension of Nut
C	LEN-7A0177	2007/09/29	Myrdal	Added Note
D	LEN-910185	2009/01/07	Ivan Lin	Change rev.to ECN note

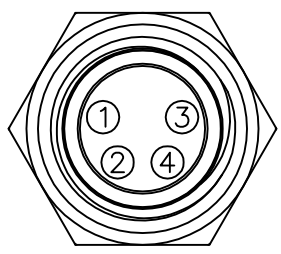


ALTW
DCC. DEPT.
CONFIDENTIAL
2009.01.19
ISSUED

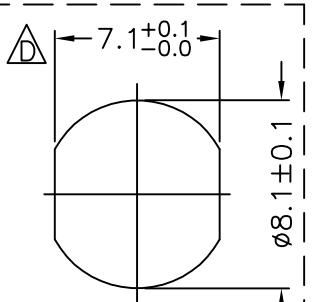
ALTW
CONFIDENTIAL
2009.01.07
R&D DEPT.



- Note:
- * \varnothing Important Dimension.
 - * Waterproof Rate: IP67
 - * Connector: Black, Nylon+GF
 - * Female Pin: Copper Alloy, Gold Plated
 - * Shield: Zinc Alloy, Nickel Plated
 - * Nut: Copper Alloy, Nickel Plated
 - * O-Ring: Black, EPDM
 - * O-Ring: Green, VITON
 - * For Panel Thickness Max 4.5mm
 - * Nut Torque: 4-6 kgf.cm



Pin Assignments
Front View



Recommended
Panel Cut-Out

UNIT:mm		TITLE Δ M8 Conn Panel Screw 4P F Conn F Pin	Amphenol LTW		ITEM NO 8-04PFFS-SH7002	DRAWN BY Ivan Lin	DATE 2009/01/07
TOLERANCE .X ±0.25 .XX ±0.1 .XXX ±0.05 ANGLES ±1°		SCALE Free	SHEET 1 OF 1	安費諾亮泰企業股份有限公司	DWG NO 8-04PFFS-SH7002	CHECKED BY Tommy Hom	DATE 2009/01/07
		REV. D	SIZE A4	\varnothing : Inspection Item	CUSTOMER ALTW	APPROVED BY Luke Chang	DATE 2009/01/07

THIS DOCUMENT IS SUBJECT TO CHANGE WITHOUT NOTICE. IT IS CONFIDENTIAL AND A PROPERTY OF Amphenol LTW. DISCLOSURE TO THIRD PARTY HAS TO BE AUTHORIZED BY Amphenol LTW.