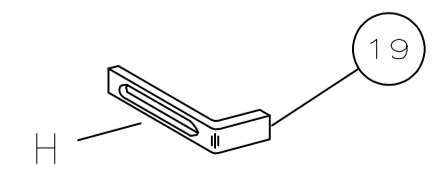
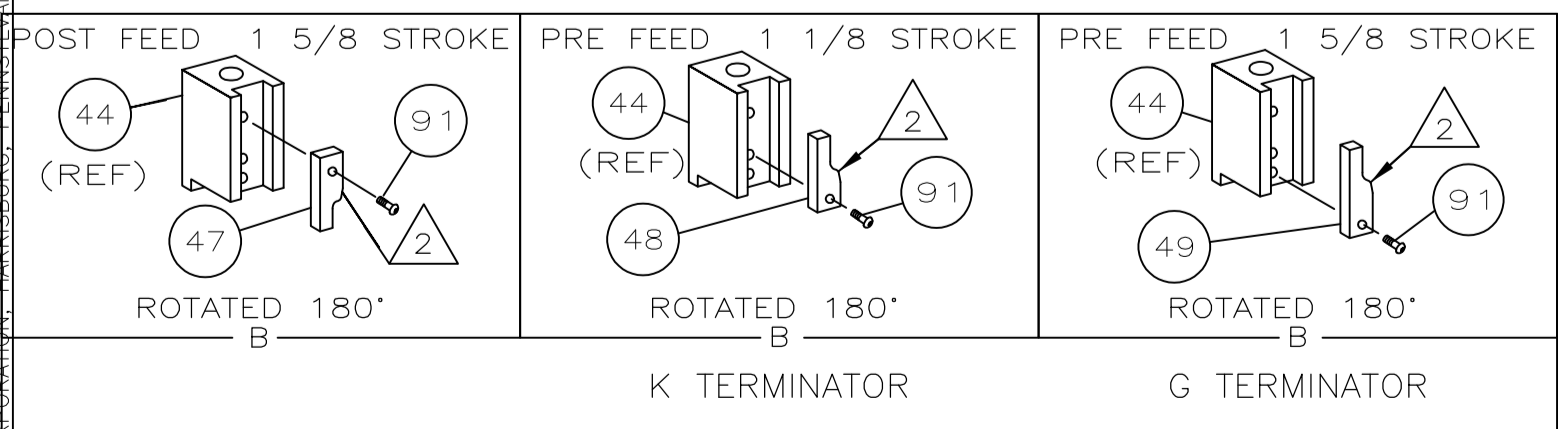
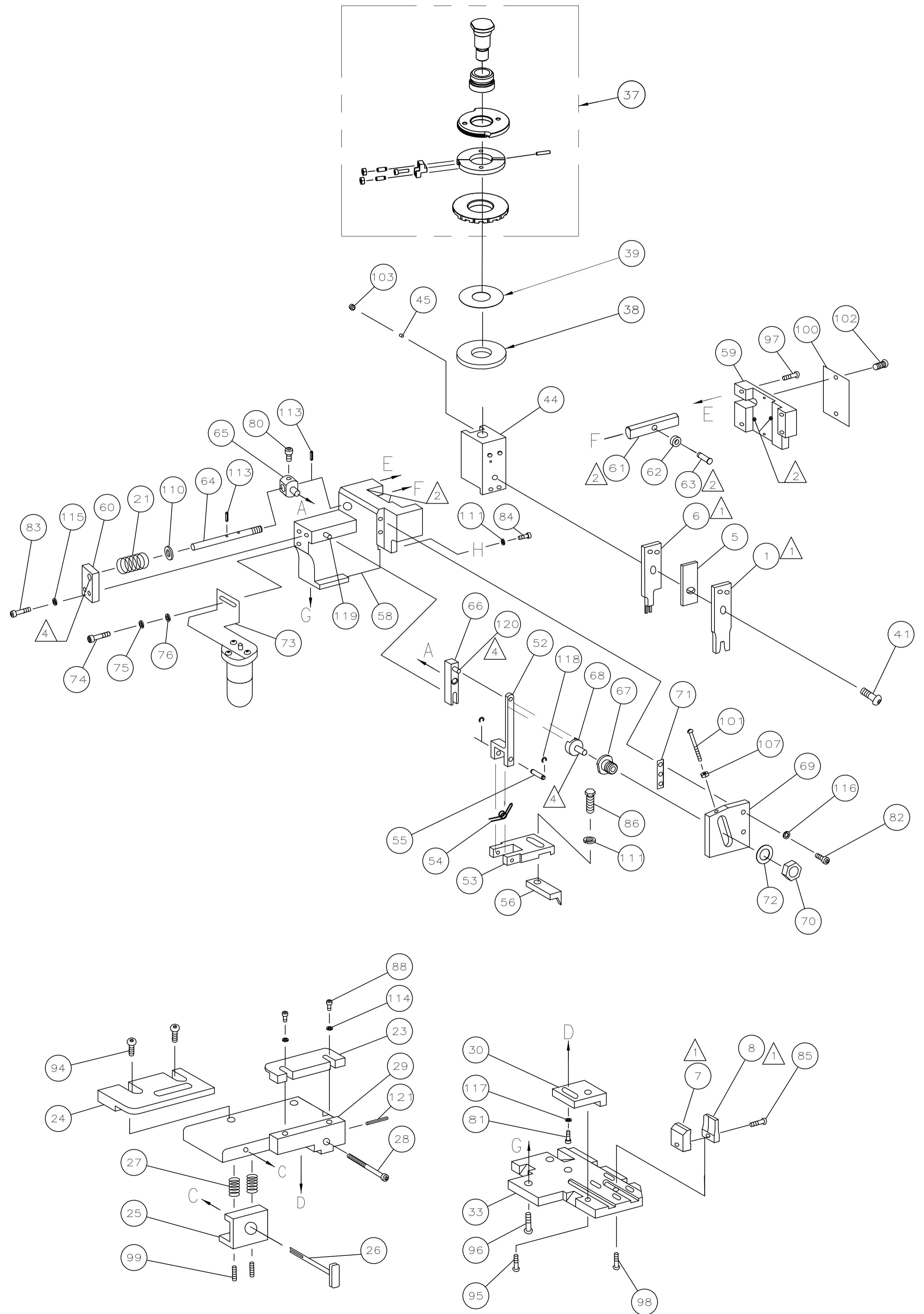
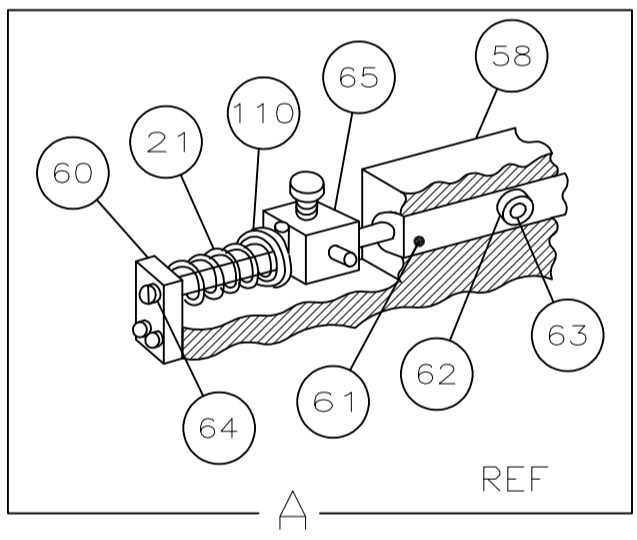
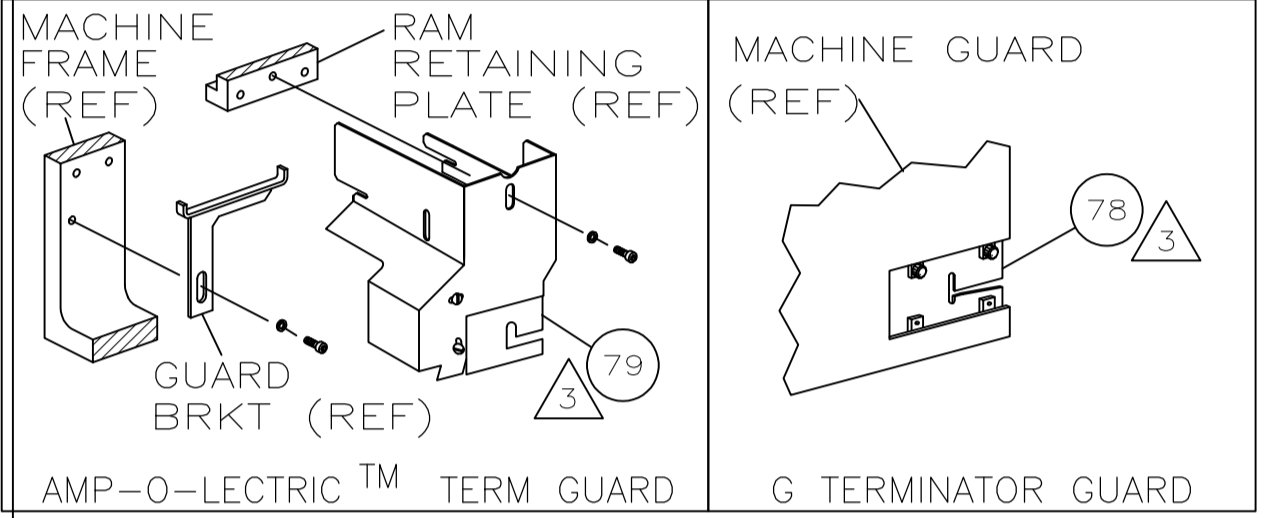




THIS DRAWING IS A CONTROLLED DOCUMENT.



LEADMAKER & BENCH MACHINE

LOC A  
DIST 66

REV	DESCRIPTION	DATE	BY	APPV
1	SEE SHEET 1			

DIMENSIONS:	TOLERANCES UNLESS OTHERWISE SPECIFIED:
INCHES	0 PLC ± .005
	1 PLC ± .002
	2 PLC ± .001
	3 PLC ± .0005
	4 PLC ± .0002
ANGLES:	
SURFACE TEXTURE:	✓

DWN	B.HIGMAN	100CT00	MATERIAL	-	HEAT TREAT	-	
CHK	B.HIGMAN	100CT00					
APVD	T.ELBIN	100CT00					
NAME	SIDE FEED HDM APPLICATOR						
SCALE	A1	DRAWING NO	1855337	SHEET	2 of 2	REV	D

CUSTOMER ACCESSIBLE PRODUCTION DRAWING

THIS INFORMATION IS CONFIDENTIAL AND PROPRIETARY TO TYCO ELECTRONICS CORPORATION AND ITS WORLDWIDE SUBSIDIARIES AND AFFILIATES. IT MAY NOT BE DISCLOSED TO ANY OTHER PARTY WITHOUT THE WRITTEN AUTHORIZATION OF TYCO ELECTRONICS CORPORATION, PITTSBURGH, PENNSYLVANIA, USA.