



Product Change Notification

TE Connectivity

Product Change Notification: PCN-22-135215

PCN Date: 28-APR-22

TE would like to inform you of the following change(s) to the listed TE Connectivity Product. In case of any further questions about this change(s), please contact your TE Connectivity Sales Engineer. Affected part, drawing and/or specification numbers are listed on the attached sheet(s).

General Product Description:

Pro-crimper III assembly

Description of Changes

Adding Alternate part for Pin (item 11); see new note 14; this alternate part will not affect parts already in the field,

Other attachments:

[one pin option for item 11 in the assembly](#)

[alternate pin option for item 11 in the assembly, called out in new note](#)

Reason for Changes:

PCN Attributes:

Product Category:

Application Tooling

Kind of Change:

Material

Change Feature:

Dual Source

Potential Customer Impact:

No Customer Impact

Remarks:

Estimated Dates:

Last Order Date (Obsolete Parts Only):

First Ship Date of Changed Items (Changed Parts Only):

13-APR-2022

Last Ship Date of Changed Items (Obsolete Parts Only):	Last Date for Mixed Shipments: (Changed Parts Only):
	No Mixed Shipments
Effectivity Date:	Date of First Samples:

Part Number(s) being Modified:

Part Number	Part Discontinued per PCN	Customer Drawing	Customer Part Number	Alias Part Number(s)	Substitute Part Number	Substitute Alias Part Number(s)	Description Of Difference
354940-1	NO		A9996-ND	"153600-000", "AMP-0-0354940-1"			

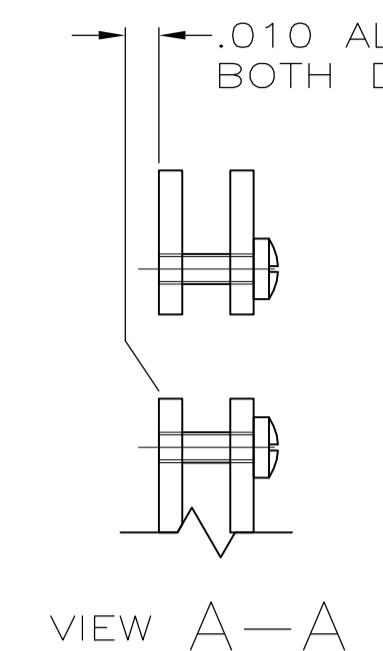
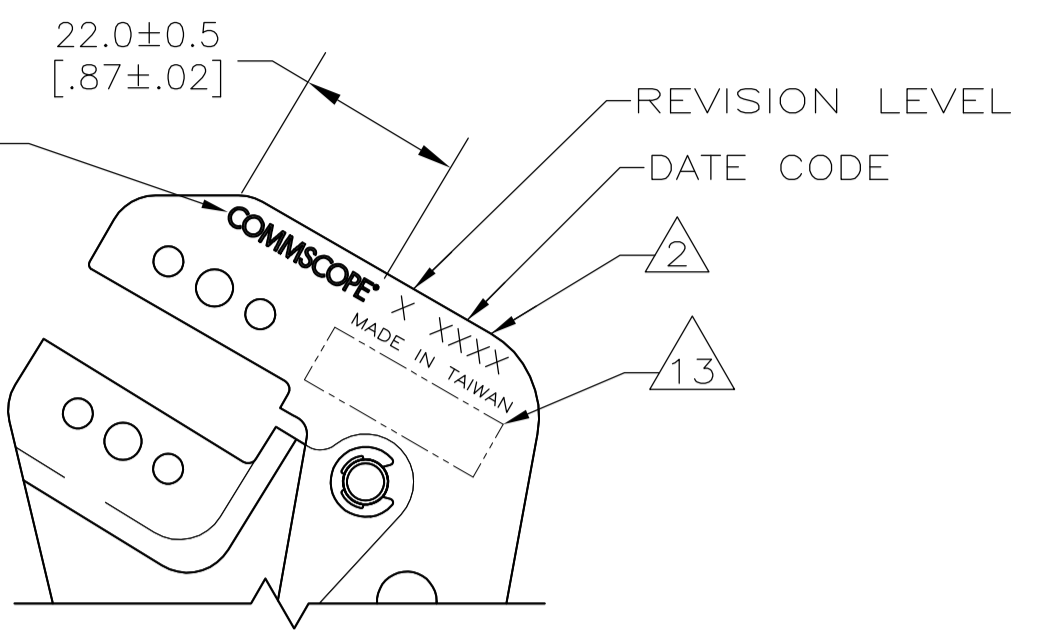
Part Number(s) being Modified:

Part Number	Part Discontinued per PCN	Customer Drawing	Customer Part Number	Alias Part Number(s)	Substitute Part Number	Substitute Alias Part Number(s)	Description Of Difference
354940-1	NO		A9996-ND	"153600-000", "AMP-0-0354940-1"			

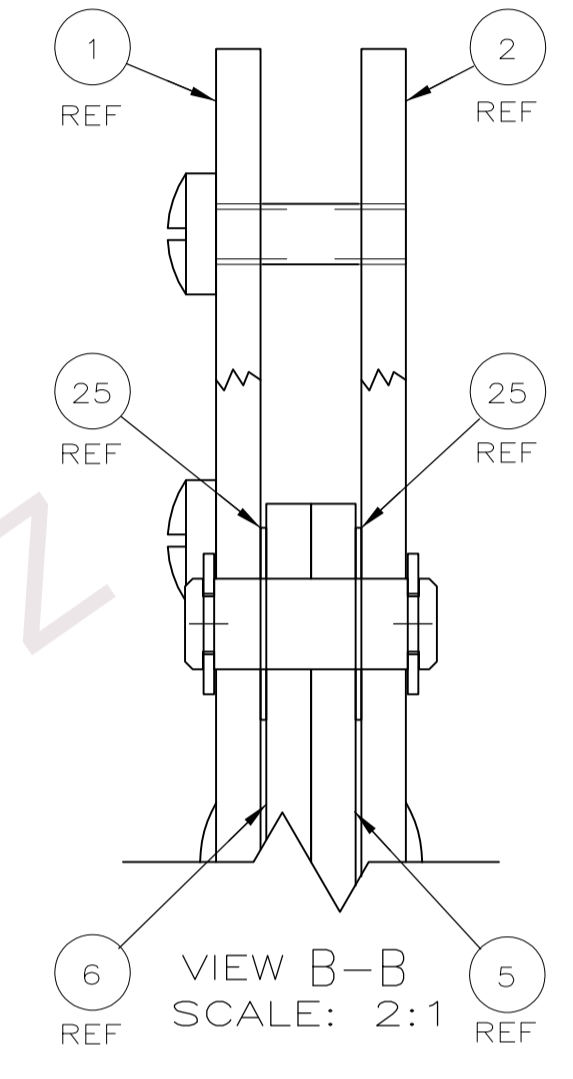
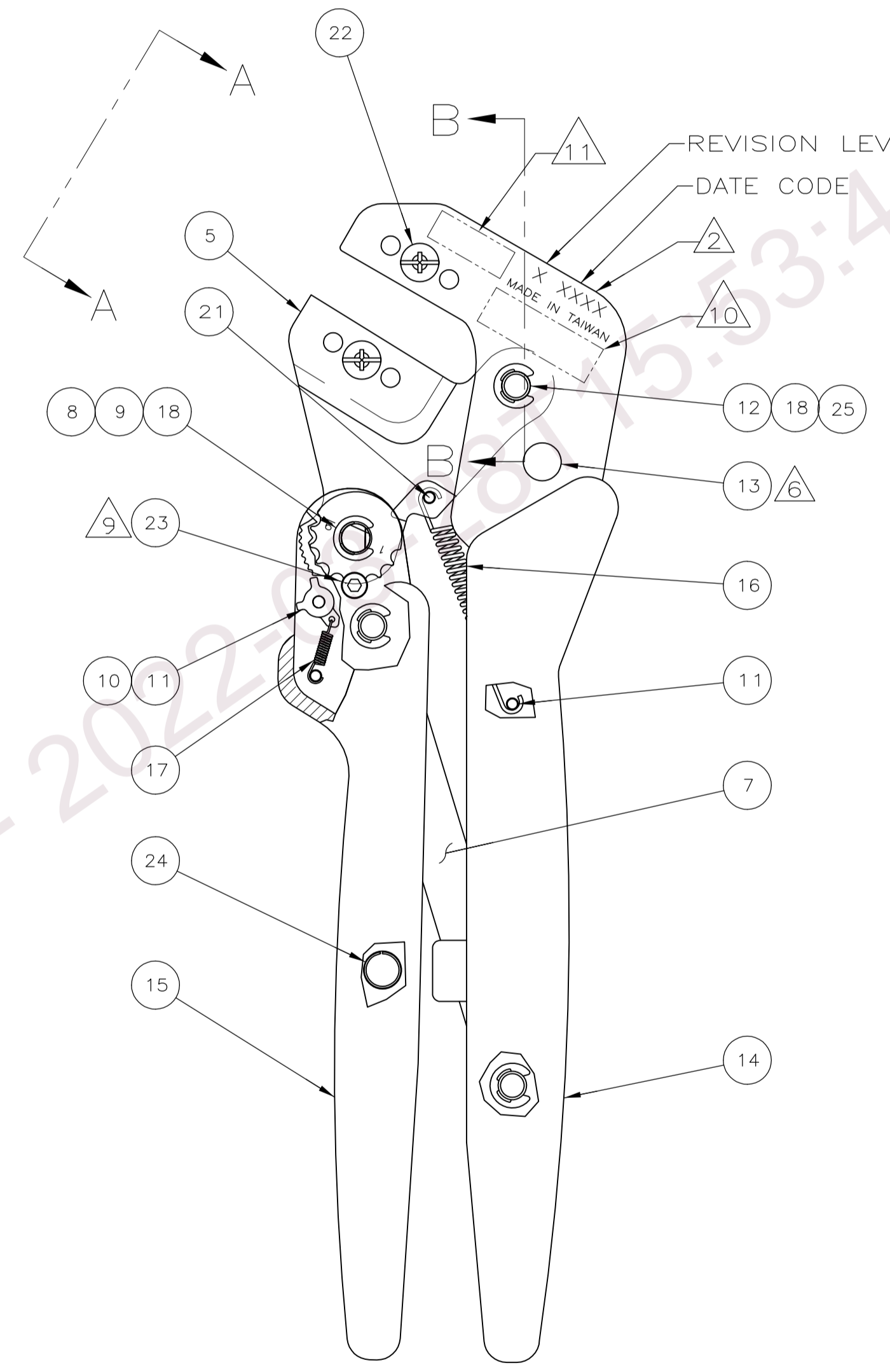
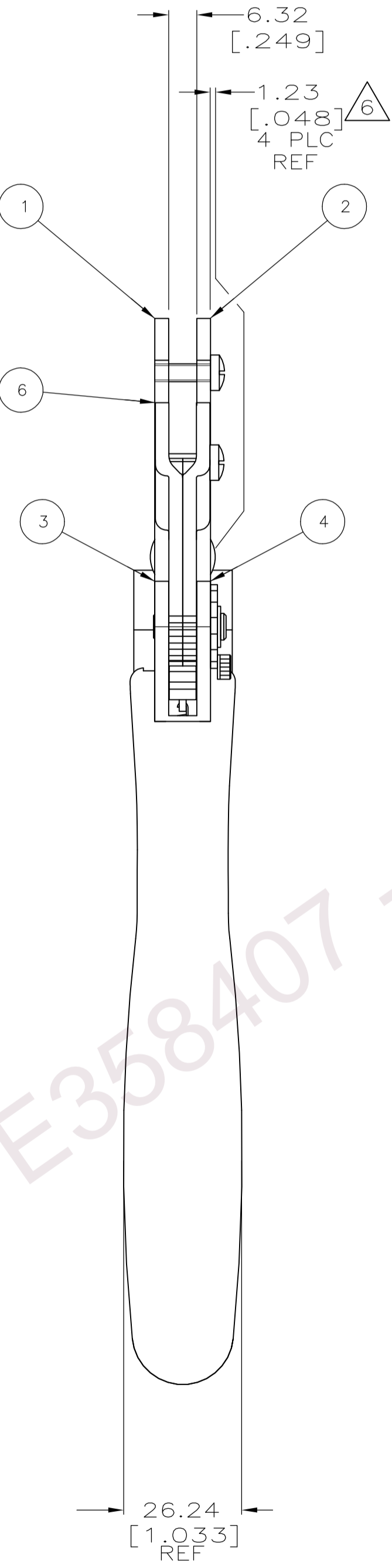
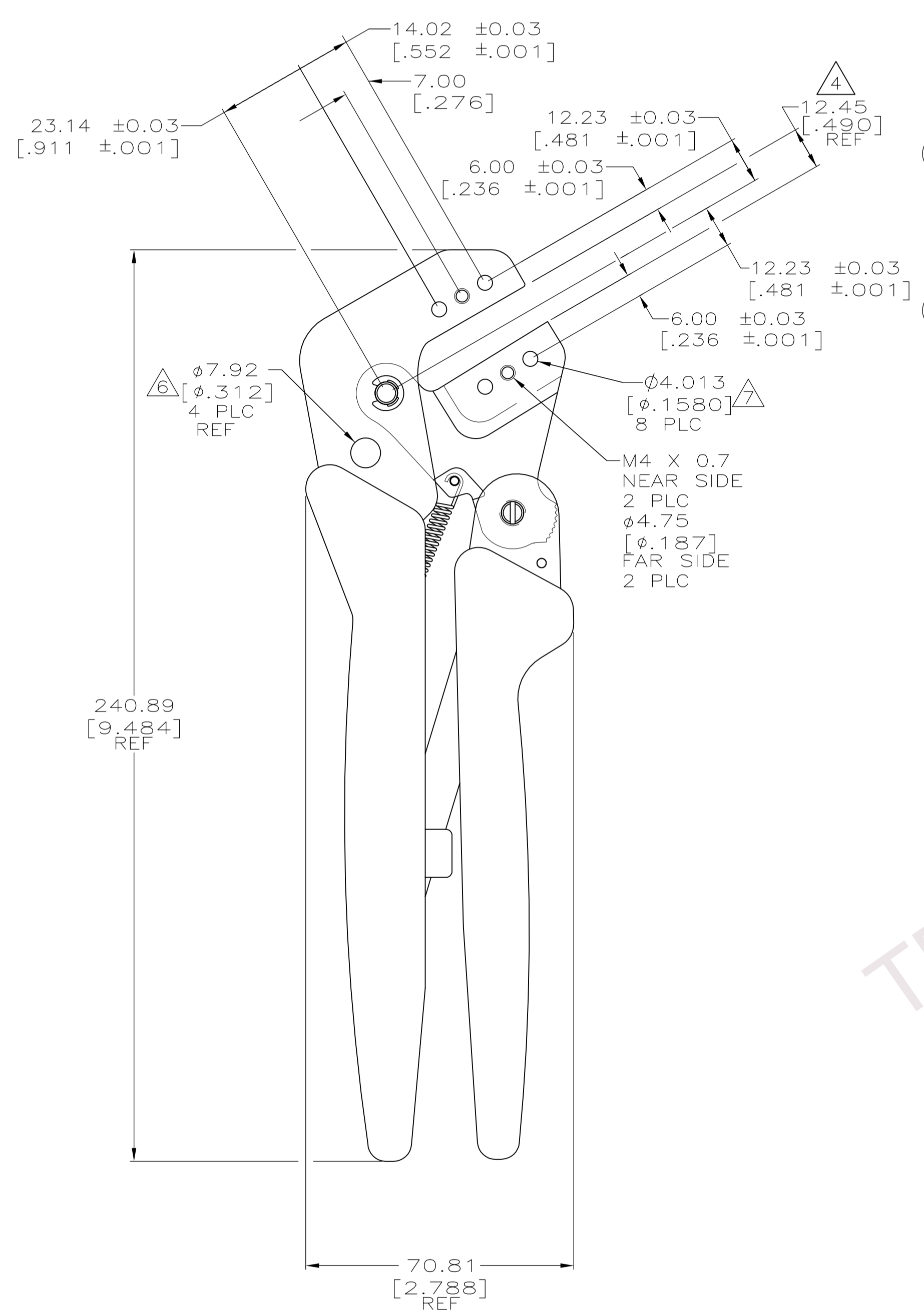
USED ON -

PART NUMBER	REV	FIRST USED	REMARKS
354940-1	L	-	RIGHT-HANDED FRAME TWO TONE GRIPS
354940-2	L	-	RIGHT-HANDED FRAME TWO TONE GRIPS
354940-3	F	-	LEFT-HANDED FRAME
354940-4	F	-	LEFT-HANDED FRAME
354940-5	K	91359	RIGHT-HANDED FRAME (BLACK)
354940-6	L	-	NO GRIPS, LOGO OR PN
354940-7	L	-	COMMSCOPE FRAME

$\Delta 11$ OBSOLETE
 $\Delta 12$ OBSOLETE
 $\Delta 13$ SUPSD BY 354940-2
 RESTRICTED TO COMMSCOPE



-7 ONLY



1. RECOMMENDED SPARE PARTS: NONE.
- $\Delta 2$ IDENTIFY REVISION LEVEL, DATE CODE, AND "MADE IN TAIWAN" PER TEC-115-67-2 IN APPROXIMATE AREA SHOWN.
3. LUBRICATE PIVOT PINS WITH LIGHT GRADE MACHINE OIL.
- $\Delta 4$ DIMENSION WHEN ITEMS 5 AND 6 ARE PARALLEL TO ITEMS 1 AND 2.
- ~~5. ALL DIMENSIONS ARE FOR REFERENCE ONLY.~~
- $\Delta 6$ RIVET ON BOTH SIDES.
- $\Delta 7$ 4.013 [.1580] DIA HOLES MUST ACCEPT A [.1570] DIA GAGE PIN THROUGH BOTH SIDES SIMULTANEOUSLY.
8. TOOL RATCHET MECHANISM MUST RELEASE AND TOOL MUST RETURN TO OPEN POSITION WITH DIES INSTALLED.
- $\Delta 9$ SET ITEM 9 SO THE #4 SLOT ALIGNS WITH ITEM 23.
- $\Delta 10$ LASER MARK FOR -1 AND -2 ONLY 3.0 (.12) HIGH CHARACTERS
354940-1
FRAME ONLY
- $\Delta 11$ APPLY TE CONNECTIVITY LOGO PER 1-1621434-0 ON -1 AND -2 FRAMES.
- $\Delta 12$ APPLY COMMSCOPE LOGO PER "COMMSCOPE AM030H1405" VERSION B, ALL TEXT LOGO AS SHOWN ON -7 FRAME..
- $\Delta 13$ LASER MARK FOR -7 ONLY 3.0 (.12) HIGH CHARACTERS
354940-7
FRAME ONLY

SUPSD BY 354940-2		OBSOLETE		OBSOLETE								
2	2	2	2	2	2	-	-	301185-1	SPACER, SHIM, .0030 THK	25		
1	1	1	1	1	1	-	-	21029-1	PIN, SLOTTED, SPRING	24		
1	1	1	1	1	1	-	-	7-18023-7	SCREW, M3 X 4	23		
-	2	-	-	2	2	-	-	986964-2	SCREW, M4 X 12	22		
1	1	1	1	1	1	-	-	986961-1	PIN, SPIRAL, M2.5 X 5	21		
-	-	-	-	-	-	-	-	1583630-2	GRIP, HANDLE, BLACK	20		
-	-	-	-	-	-	-	-	1583631-2	GRIP, FRAME, BLACK	19		
7	7	7	7	7	7	-	-	986963-2	RING, RETAINING, 6 mm	18		
1	1	1	1	1	1	-	-	354968-1	SPRING, EXTENSION	17		
1	1	1	1	1	1	-	-	354969-1	SPRING, EXTENSION	16		
1	-	-	-	1	1	-	-	2161297-1	GRIP, HANDLE	15		
1	-	-	-	1	1	-	-	2161296-1	GRIP, FRAME	14		
1	1	1	1	1	1	-	-	768786-1	SPACER	13		
3	3	3	3	3	3	-	-	354924-1	PIN, PIVOT	12		
3	3	3	3	3	3	-	-	679830-1	PIN, GROOVED	11		
1	1	1	1	1	1	-	-	354928-1	PAWL	10		
1	1	1	1	1	1	-	-	354931-1	ADJUSTER, ECCENTRIC	9		
1	1	1	1	1	1	-	-	354926-1	ECCENTRIC	8		
2	2	2	2	2	2	-	-	1583647-1	LINK	7		
1	1	1	1	1	1	-	-	1583650-1	JAW, LEFT	6		
1	1	1	1	1	1	-	-	1583649-1	JAW, RIGHT	5		
1	1	1	1	1	1	-	-	1583648-1	LEVER, RIGHT	4		
1	1	1	1	1	1	-	-	1583648-2	LEVER, LEFT	3		
1	1	1	1	1	1	-	-	1583652-2	FRAME, RIGHT	2		
1	1	1	1	1	1	-	-	1583652-1	FRAME, LEFT	1		
-7	-6	-5	-4	-3	-2	-1	U/M	PART NO	DESCRIPTION	ITEM NO		

PARTS LIST

DWN: W. FEIBER 04/02/93 MATERIAL: HEAT TREAT: -
 CHK: T. BOZEK 5-3-93
 APVD: M. MORRIS 5-3-93



NAME: PRO-CRIMPER III ASSEMBLY
 SCALE: 1:1 SIZE: A1 DRAWING NO: 354940 SHEET 1 OF 1 REV L4

DIMENSIONS:		TOLERANCES UNLESS OTHERWISE SPECIFIED:	
INCHES	0 PLC ±.01	1 PLC ±.005	2 PLC ±.002
ANGLES	3 PLC ±.005	4 PLC ±.003	
SURFACE TEXTURE	√		

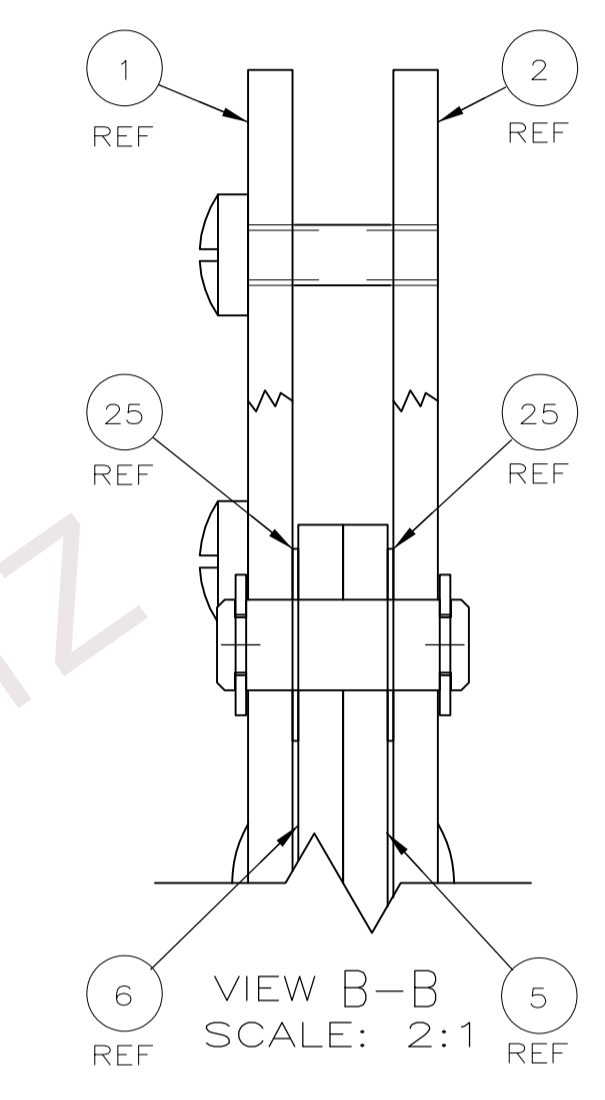
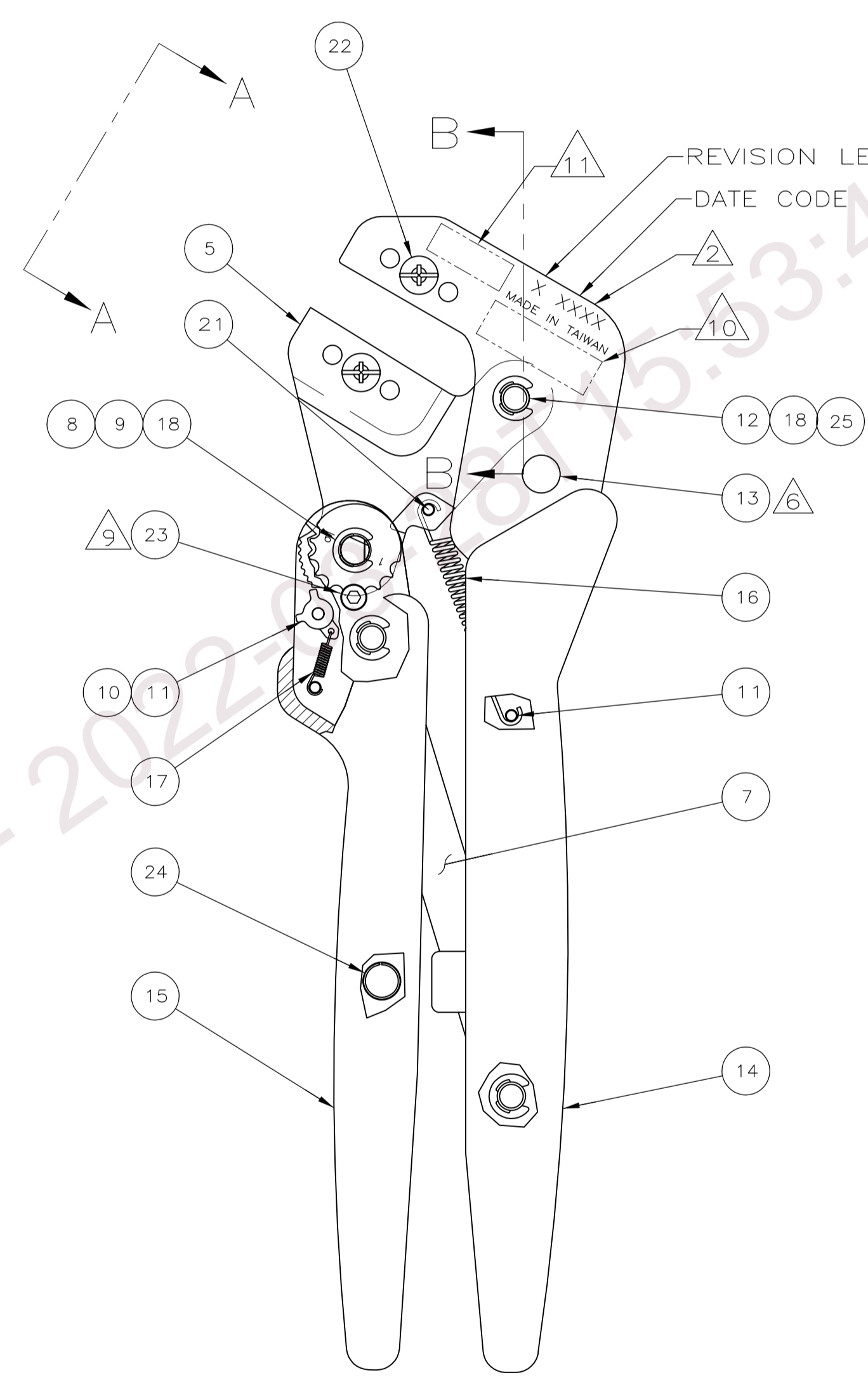
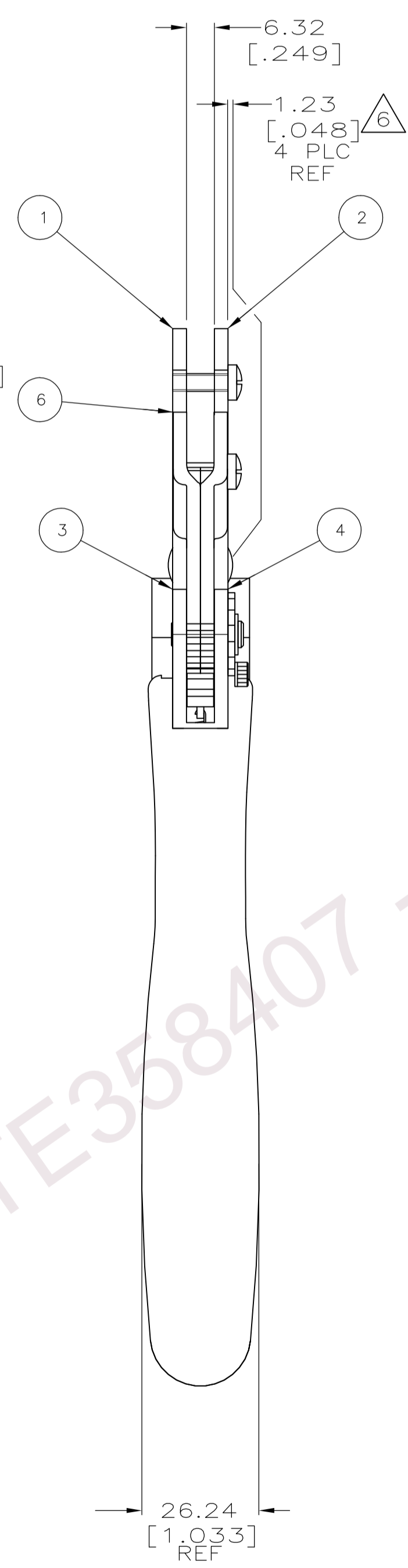
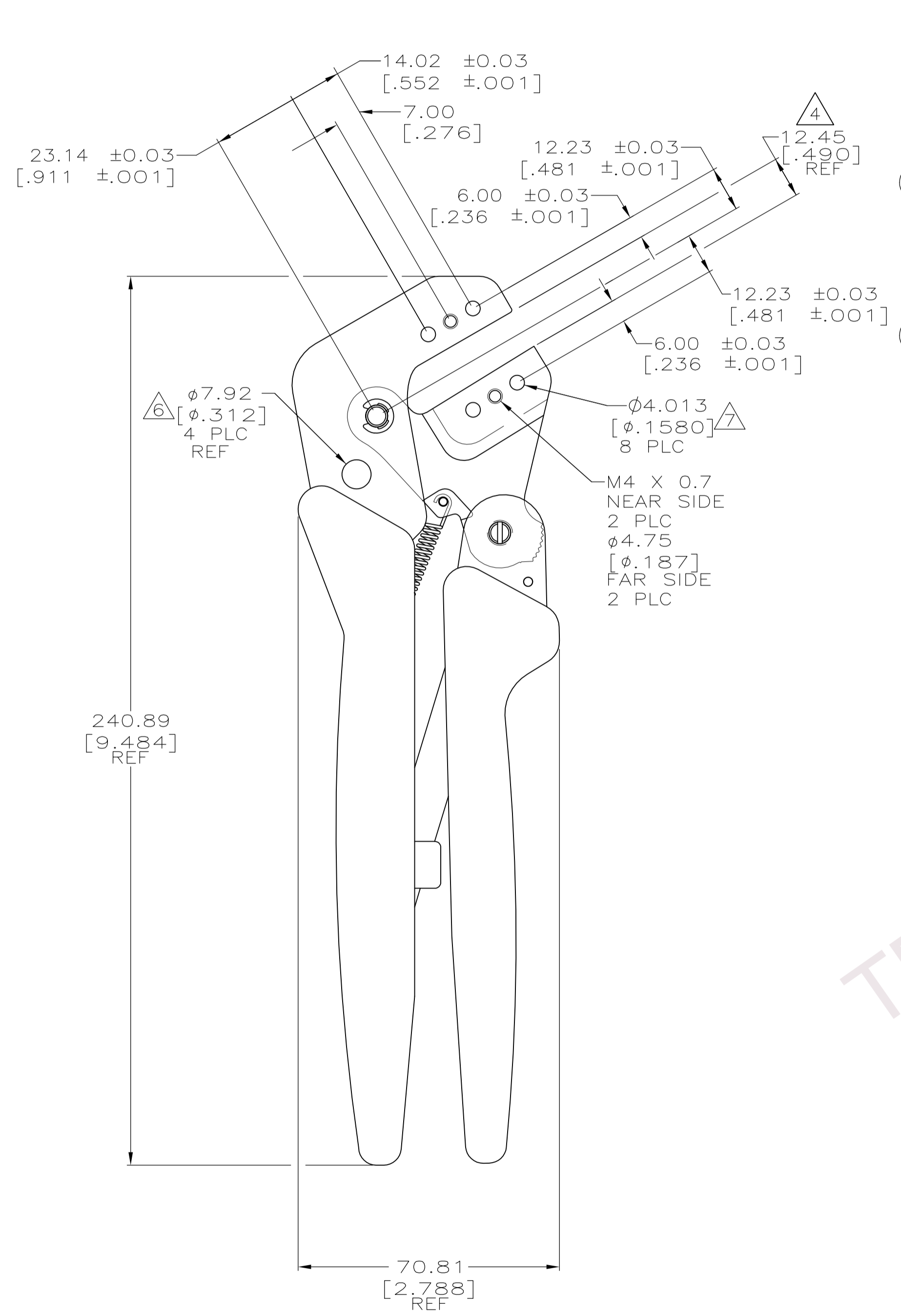
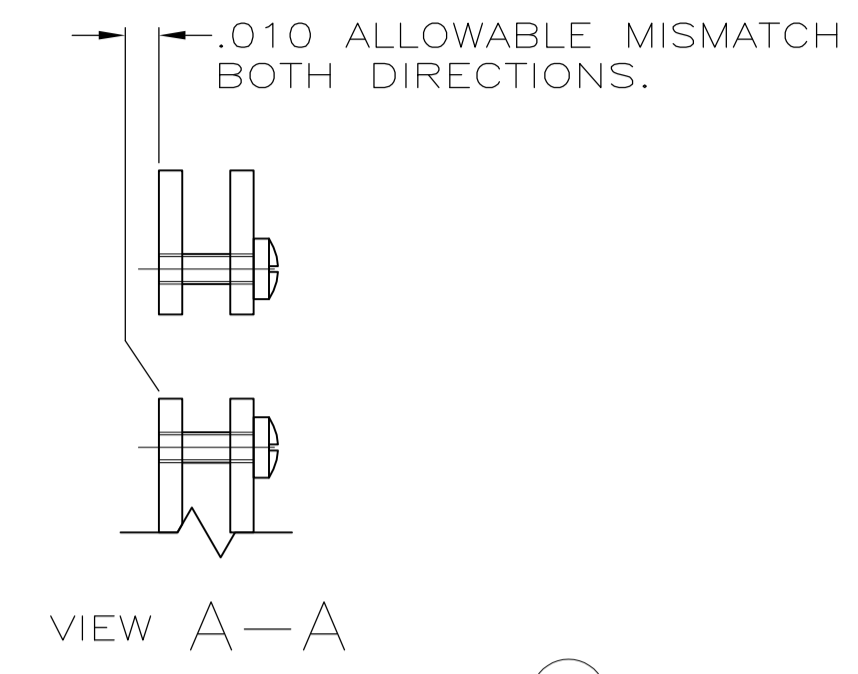
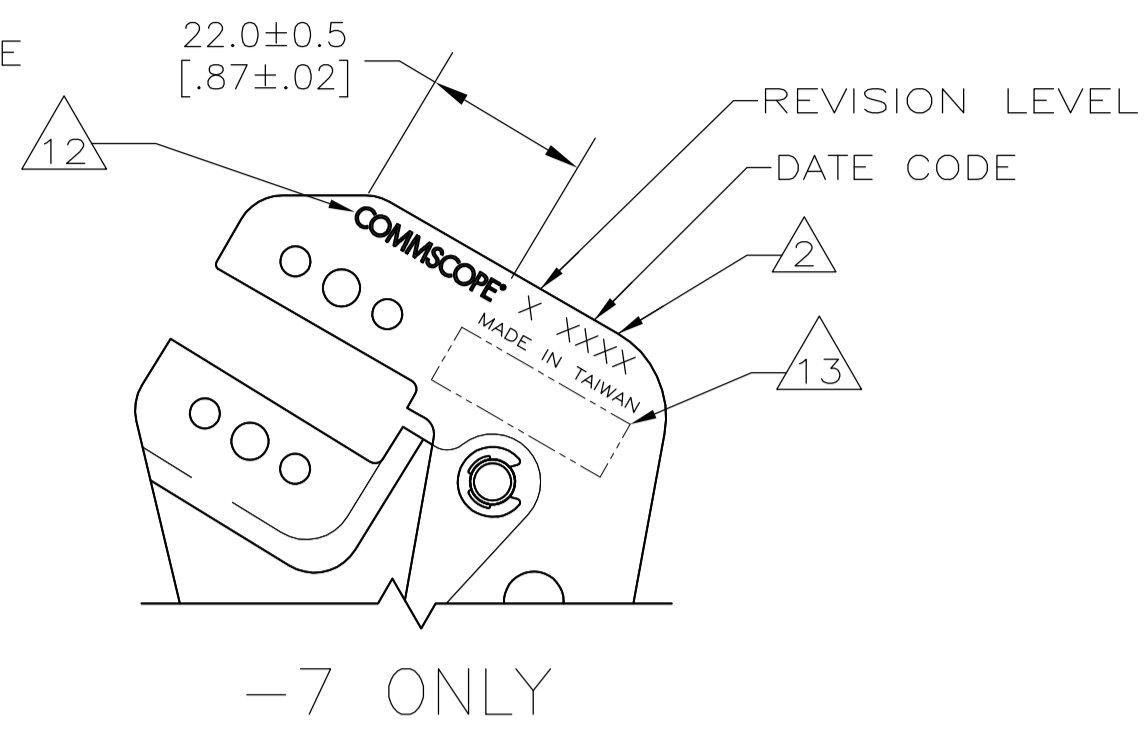
REV	DATE	BY	CHK	APP
L4	12JAN2017	CAK	CAM	
P	LTR	REVISION RECORD		

THIS DRAWING IS A CONTROLLED DOCUMENT.

THIS INFORMATION IS CONFIDENTIAL AND PROPRIETARY TO TE CONNECTIVITY, INC. AND AFFILIATES. IT IS NOT TO BE DISCLOSED, REPRODUCED, COPIED, OR TRANSMITTED IN ANY FORM OR BY ANY MEANS, WITHOUT AUTHORIZATION FROM TE CONNECTIVITY, INC.

PART NUMBER	REV	FIRST USED	REMARKS
354940-1	L	-	RIGHT-HANDED FRAME TWO TONE GRIPS
354940-2	L	-	RIGHT-HANDED FRAME TWO TONE GRIPS
354940-3	F	-	LEFT-HANDED FRAME
354940-4	F	-	LEFT-HANDED FRAME
354940-5	K	91359	RIGHT-HANDED FRAME (BLACK)
354940-6	L	-	NO GRIPS, LOGO OR PN
354940-7	L	-	COMMSCOPE FRAME

11
 OBSOLETE
 OBSOLETE
 SUPSD BY 354940-2
 RESTRICTED TO COMMSCOPE



- RECOMMENDED SPARE PARTS: NONE.
- IDENTIFY REVISION LEVEL, DATE CODE, AND "MADE IN TAIWAN" PER TEC-115-67-2 IN APPROXIMATE AREA SHOWN.
- LUBRICATE PIVOT PINS WITH LIGHT GRADE MACHINE OIL.
- DIMENSION WHEN ITEMS 5 AND 6 ARE PARALLEL TO ITEMS 1 AND 2.
- ALL DIMENSIONS ARE FOR REFERENCE ONLY.
- RIVET ON BOTH SIDES.
- 4.013 [.1580] DIA HOLES MUST ACCEPT A [.1570] DIA GAGE PIN THROUGH BOTH SIDES SIMULTANEOUSLY.
- TOOL RATCHET MECHANISM MUST RELEASE AND TOOL MUST RETURN TO OPEN POSITION WITH DIES INSTALLED.
- SET ITEM 9 SO THE #4 SLOT ALIGNS WITH ITEM 23.
- LASER MARK FOR -1 AND -2 ONLY 3.0 (.12) HIGH CHARACTERS

354940-1
FRAME ONLY
- APPLY TE CONNECTIVITY LOGO PER 1-1621434-0 ON -1 AND -2 FRAMES.
- APPLY COMMSCOPE LOGO PER "COMMSCOPE AM030H1405" VERSION B, ALL TEXT LOGO AS SHOWN ON -7 FRAME..
- LASER MARK FOR -7 ONLY 3.0 (.12) HIGH CHARACTERS

354940-7
FRAME ONLY
- ALTERNATE PN 2389223-1

QTY	REV	DATE	BY	CHK	APVD	PART NO	DESCRIPTION	ITEM NO		
2	2					301185-1	SPACER, SHIM, .0030 THK	25		
1	1					21029-1	PIN, SLOTTED, SPRING	24		
1	1					7-18023-7	SCREW, M3 X 4	23		
-	2					986964-2	SCREW, M4 X 12	22		
1	1					986961-1	PIN, SPIRAL, M2.5 X 5	21		
-	-					1583630-2	GRIP, HANDLE, BLACK	20		
-	-					1583631-2	GRIP, FRAME, BLACK	19		
7	7					986963-2	RING, RETAINING, 6 mm	18		
1	1					354968-1	SPRING, EXTENSION	17		
1	1					354969-1	SPRING, EXTENSION	16		
1	-					2161297-1	GRIP, HANDLE	15		
1	-					2161296-1	GRIP, FRAME	14		
1	1					768786-1	SPACER	13		
3	3					354924-1	PIN, PIVOT	12		
3	3					679830-1	PIN, GROOVED	11		
1	1					354928-1	PAWL	10		
1	1					354931-1	ADJUSTER, ECCENTRIC	9		
1	1					354926-1	ECCENTRIC	8		
2	2					1583647-1	LINK	7		
1	1					1583650-1	JAW, LEFT	6		
1	1					1583649-1	JAW, RIGHT	5		
1	1					1583648-1	LEVER, RIGHT	4		
1	1					1583648-2	LEVER, LEFT	3		
1	1					1583652-2	FRAME, RIGHT	2		
1	1					1583652-1	FRAME, LEFT	1		
-7	-6	-5	-4	-3	-2	-1	U/M	PART NO	DESCRIPTION	ITEM NO

QTY	REV	DATE	BY	CHK	APVD	PART NO	DESCRIPTION	ITEM NO
0	PLC							
1	PLC							
2	PLC							
3	PLC							
4	PLC							

QTY	REV	DATE	BY	CHK	APVD	PART NO	DESCRIPTION	ITEM NO
1	L4	12JAN2017	CAK	CAM				
1	LTR							

THIS DRAWING IS A CONTROLLED DOCUMENT.

THIS INFORMATION IS CONFIDENTIAL AND PROPRIETARY TO TCI AND ITS AFFILIATES. IT IS NOT TO BE DISCLOSED TO ANY OTHER PERSON OR ENTITY WITHOUT THE WRITTEN AUTHORIZATION OF TCI.