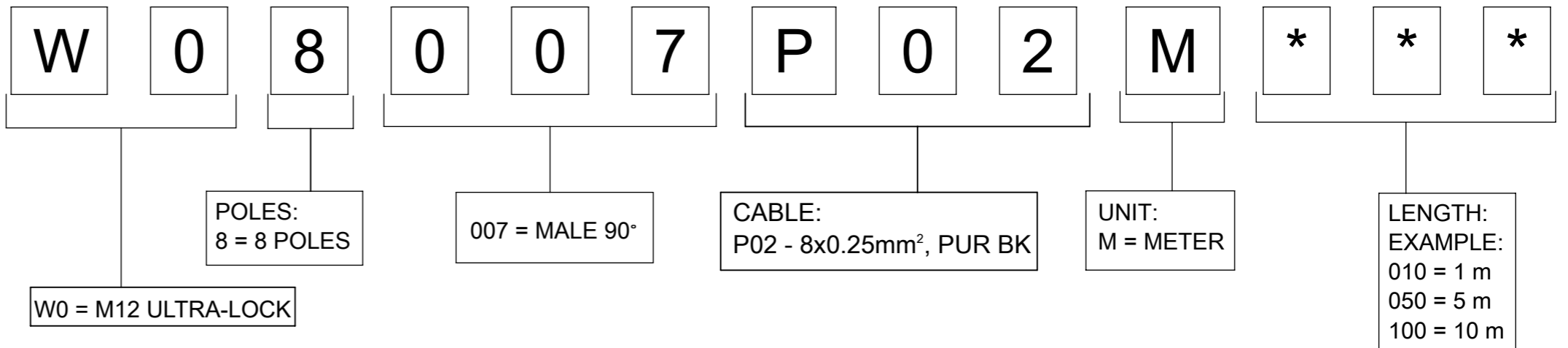


CONNECTOR SPECIFICATION :

VOLTAGE : 30V AC/DC
 AMPERAGE RATING : MAX. 2 AMPS
 PROTECTION : IP67/68/69K
 OPERATING TEMPERATURE : -20°C TO +80°C

PART NO MATRIX

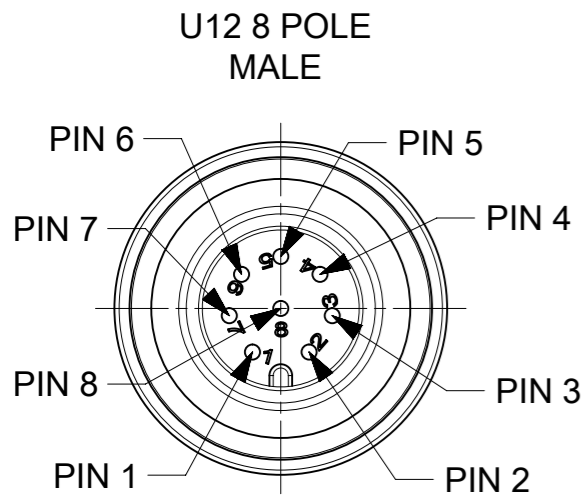
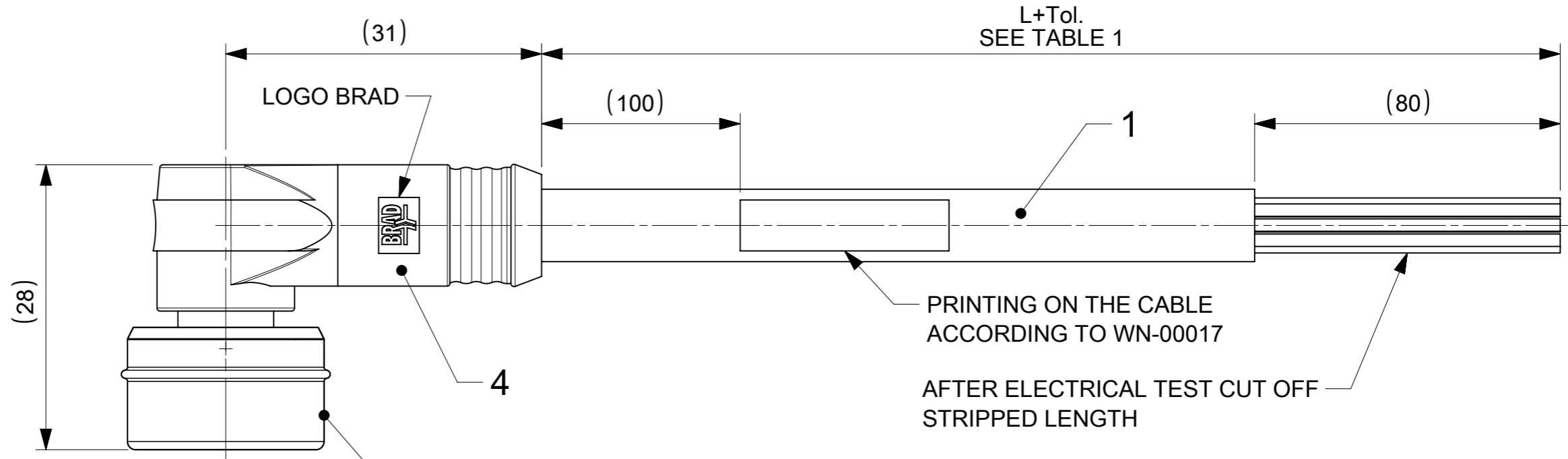


PART LIST

No.	Molex P/N	Engineering no.	L+Tol.[mm]
1	1200795116	W08007P02M020	2000±25

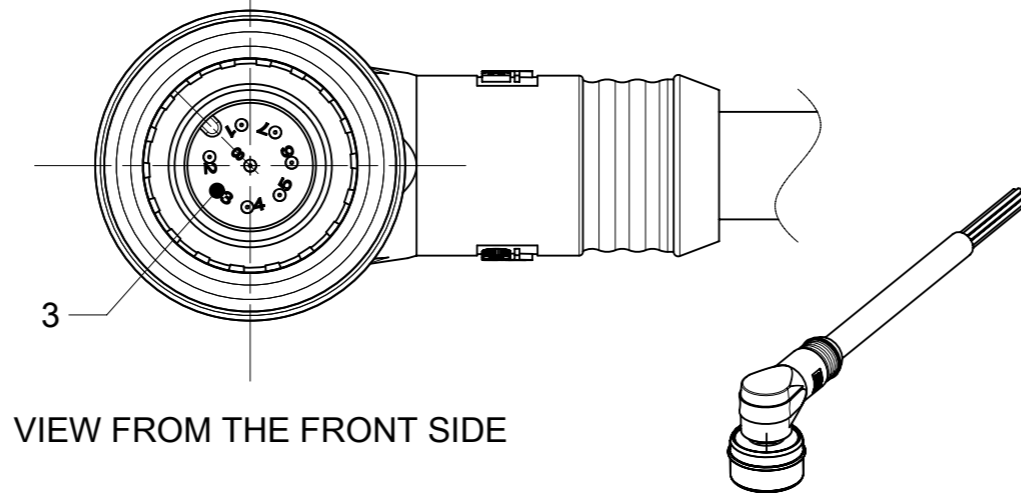
CABLE SPECIFICATION :

CABLE TYPE	NO. OF WIRES	CROSS SECTION	CABLE JACKET	UL	CSA	STATIC: TEMP. / BENDING RADIUS	DYNAMIC: TEMP. / BENDING RADIUS	DRAG CHAIN	SHIELD
P02	8	0.25mm ²	PUR / PVC BLACK	-	-	-30°C to +80°C, 7xO.D.	-5°C to +80°C, 15xO.D.	-	-



VIEW FROM FRONT SIDE

PIN	WIRE COLOR
1	WHITE
2	BROWN
3	GREEN
4	YELLOW
5	GREY
6	PINK
7	BLUE
8	RED



VIEW FROM THE FRONT SIDE

BILL OF MATERIAL

ITEM	QTY.	DISCRIPTION	MATERIAL	FINISH/COLOR
1	-	CABLE	SEE MATRIX	SEE MATRIX
2	1	U12 8P PLUG ASSEMBLY	-	-
3	8	CONTACT FEMALE	COPPER	SELECTIVE GOLD OVER NICKEL
4	-	MOULDING	TPU	SEE MATRIX

THIS DRAWING CONTAINS INFORMATION THAT IS PROPRIETARY TO MOLEX ELECTRONIC TECHNOLOGIES, LLC AND SHOULD NOT BE USED WITHOUT WRITTEN PERMISSION

FUNCTIONAL SYMBOLS: $\nabla/A = 0$, $\nabla/E = 0$, $\nabla/V = 0$

DIVISIONAL SYMBOLS: 4 PLACES ±, 3 PLACES ±, 2 PLACES ± 0.05, 1 PLACE ± 0.3, 0 PLACES ± 0.5

THIS DRAWING DIMENSION UNITS: mm, SCALE: 2:1

GENERAL TOLERANCES (UNLESS SPECIFIED): ANGULAR TOL ± 1.0°

DRAFT WHERE APPLICABLE MUST REMAIN WITHIN DIMENSIONS

THIRD ANGLE PROJECTION:

DRAWING: A3-SIZE, SERIES: 120079

EC NO: 700705, DRWN: SSM, 2022/03/17, CHK'D: RSILLER, 2022/03/25, APPR: RSILLER, 2022/03/25

INITIAL REVISION: DRWN: SSM, 2022/03/17, APPR: RSILLER, 2022/03/25

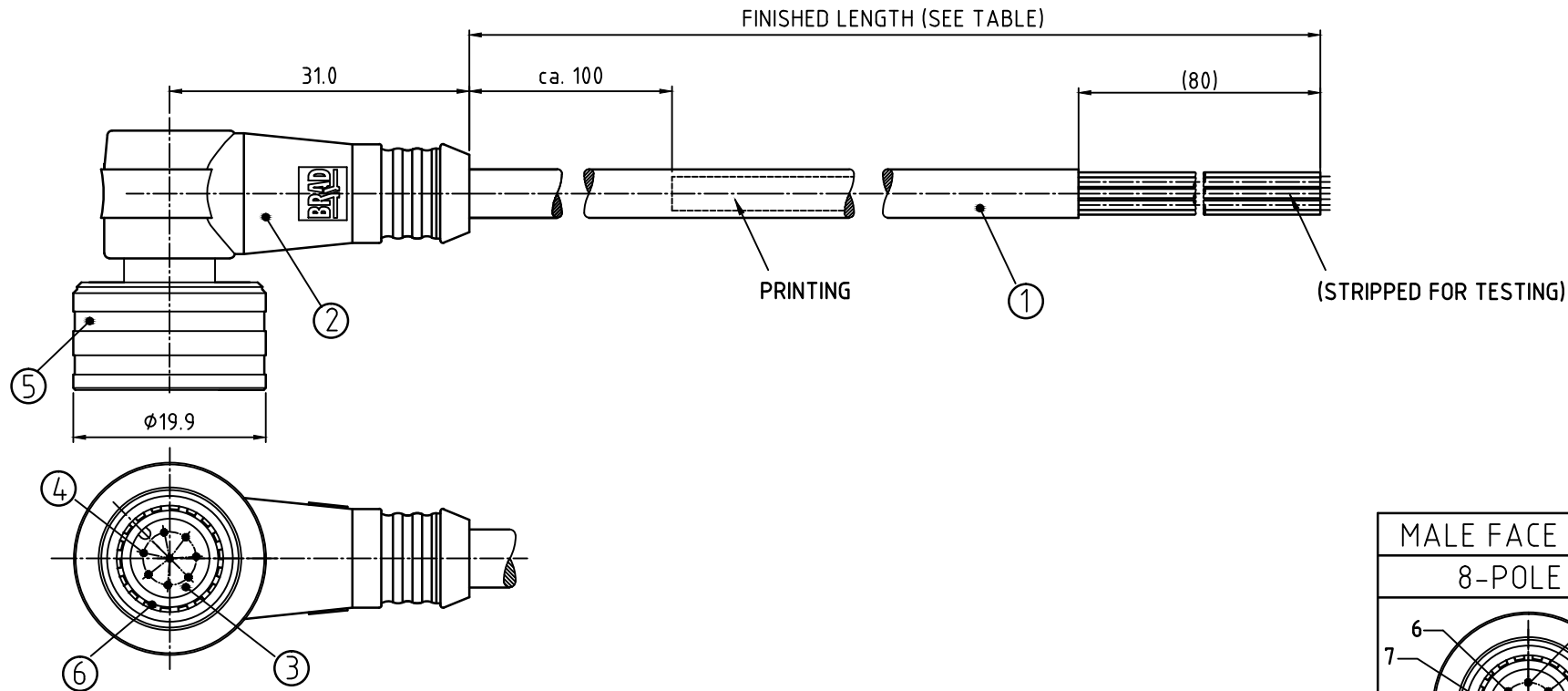
DOCUMENT NUMBER: 1200795116, DOC TYPE: PSD, DOC PART: 000, REVISION: A

MATERIAL NUMBER: SEE PART LIST, CUSTOMER: GENERAL MARKET, SHEET NUMBER: 1 OF 1

molex

M12U 8P MALE 90 PUR 2M

PRODUCT CUSTOMER DRAWING

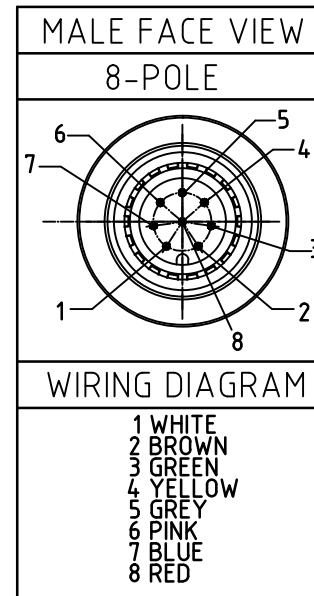


FINISHED LENGTH (SEE TABLE)

PRINTING

(STRIPPED FOR TESTING)

POL	MATERIAL NUMBER	ENGINEERING NUMBER	FINISHED LENGTH
8	1200795116	W08007P02M020	2.0M ±25MM



CONNECTOR SPECIFICATION:	
VOLTAGE RATING	30V AC/DC
AMPERAGE RATING	max. 2 AMPS
PROTECTION	IP68
OPERATING TEMPERATURE	-30°C TO +80°C

ITEM	COMPONENT	MATERIAL	FINISH
6	O-RING	VITON	GREEN
5	COUPLER	BRASS	NICKEL PLATED
4	CONTACT SOCKET	COPPER ALLOY	GOLD OVER NICKEL
3	INSERT	PUR	BLACK
2	OVERMOLD	TPE (PUR)	YELLOW
1	CABLE 0.25mm ² /24AWG (COPPER STRANDING) 8 CONDUCT.	JACKET: PUR/PVC	JACKET: BLACK

DESCRIPTION EC NO: IP/G2014-0844 DRWN: BBRAUCH CHKD: APOHL APPR: CBURGER 07.11.13 2010/03/19	QUALITY SYMBOLS ▽ = 0 ▽ = 0	GENERAL TOLERANCES (UNLESS SPECIFIED) mm INCH 4 PLACES ±--- ±--- 3 PLACES ±--- ±--- 2 PLACES ±--- ±--- 1 PLACE ±0.3 ±--- 0 PLACE ±--- ±--- ANGULAR ± --- °	DIMENSION STYLE MM ONLY	SCALE 2:1	DESIGN UNITS METRIC	THIRD ANGLE PROJECTION
	DRAWN BY DATE REISSNER 2010/03/18		CHECKED BY DATE NS 2010/03/18		APPROVED BY DATE FPACHER 2010/03/19	
	MATERIAL NO.		DOCUMENT NO.		SHEET NO.	
	DRAFT WHERE APPLICABLE MUST REMAIN WITHIN DIMENSIONS		see table		SD-120079-050	
SIZE A3		THIS DRAWING CONTAINS INFORMATION THAT IS PROPRIETARY TO MOLEX INCORPORATED AND SHOULD NOT BE USED WITHOUT WRITTEN PERMISSION				