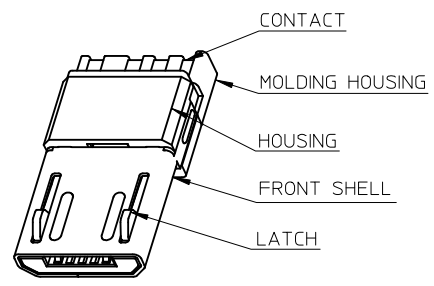
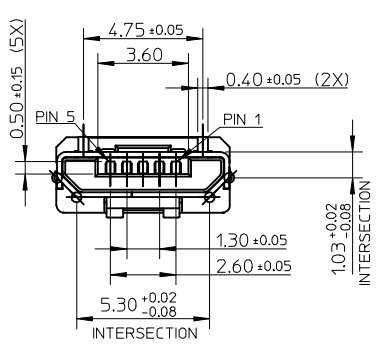


MICRO USB PLUG CONNECTOR PIN ASSIGNMENT

CONTACT NUMBER	SIGNAL NAME	DESCRIPTION
1	VBUS	POWER
2	D-	MICRO USB
3	D+	DIFFERENTIAL PAIR
4	ID	/
5	GND	GROUND FOR POWER RETURN

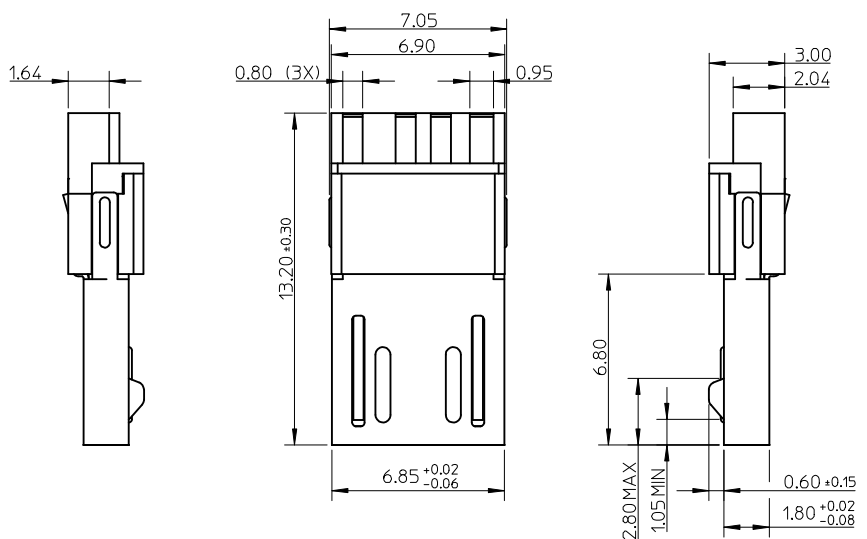
NOTES:

- MATERIAL:
 - HOUSING: THERMOPLASTIC, GLASS FIBER FILLED, UL94-0, HALOGEN FREE, COLOR: SEE TABLE;
 - MOLDING: THERMOPLASTIC, GLASS FIBER FILLED, UL94-0, HALOGEN FREE, COLOR: BLACK;
 - CONTACT: COPPER ALLOY;
 - FRONT SHELL: STAINLESS STEEL;
 - LATCH: STAINLESS STEEL.
- FINISH:
 - CONTACT: GOLD PLATING IN CONTACT AREA, THICKNESS SEE TABLE; PLATED BRIGHT TIN(Sn) 120u" MIN. IN SOLDER TAIL AREA; PLATED NICKEL(Ni) 50u" MIN OVERALL.
 - FRONT SHELL: NICKEL(Ni) 30u" MIN OVERALL.
 - LATCH: CLEANING.
- PRODUCT SPECIFICATION: PS-105301-001.
- PACKAGING SPECIFICATION: PK-105301-001.
- TEST SUMMARY: TS-105301-001.
- LEAD FREE AND RoHS COMPLIANT PRODUCT.



105301-0301	GOLD FLASH	WHITE
105301-0201	GOLD 30u" MINIMUM	BLACK
105301-0101	GOLD FLASH	BLACK
105301-0001	GOLD 30u" MINIMUM	WHITE
PART NUMBER	CONTACT AREA PLATING	HOUSING COLOR

ADD PART NUMBER EC NO: SH2016-0062 DRWN:XOZHANG 2015/08/11 CHKD:XOZHANG 2015/08/11 APPR:AYIN 2015/09/08	QUALITY SYMBOLS	GENERAL TOLERANCES (UNLESS SPECIFIED)	DIMENSION STYLE	SCALE	DESIGN UNITS	THIRD ANGLE PROJECTION
	$\nabla = 0$ $\nabla = 0$ $\nabla = 0$	4 PLACES ± --- ± --- 3 PLACES ± --- ± --- 2 PLACES ± 0.25 ± --- 1 PLACE ± 0.35 ± --- 0 PLACE ± --- ± ---	MM ONLY	1:1	METRIC	
		mmm INCH ANGULAR ± 2 °	DRAWN BY: XOZHANG DATE: 2013/07/25 CHECKED BY: DATE: APPROVED BY: DATE: 2013/08/15	TITLE	SALES DRAWING FOR USB MICRO-B, PLUG HEIGHT: 3.4MM	
		DRAFT WHERE APPLICABLE MUST REMAIN WITHIN DIMENSIONS	MATERIAL NO. 105301-0001 DOCUMENT NO. SD-105301-001		SHEET NO. 1 OF 1 THIS DRAWING CONTAINS INFORMATION THAT IS PROPRIETARY TO MOLEX INCORPORATED AND SHOULD NOT BE USED WITHOUT WRITTEN PERMISSION	

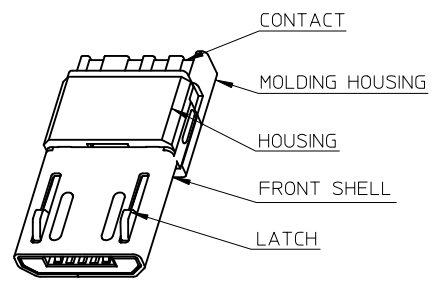
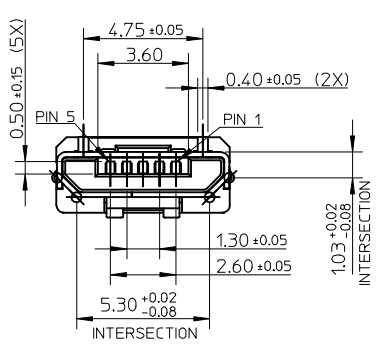


MICRO USB PLUG CONNECTOR PIN ASSIGNMENT

CONTACT NUMBER	SIGNAL NAME	DESCRIPTION
1	VBUS	POWER
2	D-	MICRO USB
3	D+	DIFFERENTIAL PAIR
4	ID	/
5	GND	GROUND FOR POWER RETURN

NOTES:

- MATERIAL:
 - HOUSING: THERMOPLASTIC, GLASS FIBER FILLED, UL94-0, HALOGEN FREE, COLOR: SEE TABLE;
 - MOLDING: THERMOPLASTIC, GLASS FIBER FILLED, UL94-0, HALOGEN FREE, COLOR: BLACK;
 - CONTACT: COPPER ALLOY;
 - FRONT SHELL: STAINLESS STEEL;
 - LATCH: STAINLESS STEEL.
- FINISH:
 - CONTACT: GOLD PLATING IN CONTACT AREA, THICKNESS SEE TABLE; PLATED BRIGHT TIN(Sn) 120u" MIN. IN SOLDER TAIL AREA; PLATED NICKEL(Ni) 50u" MIN OVERALL.
 - FRONT SHELL: NICKEL(Ni) 30u" MIN OVERALL.
 - LATCH: CLEANING.
- PRODUCT SPECIFICATION: PS-105301-001.
- PACKAGING SPECIFICATION: PK-105301-001.
- TEST SUMMARY: TS-105301-001.
- LEAD FREE AND RoHS COMPLIANT PRODUCT.



105301-0301	GOLD FLASH	WHITE
105301-0201	GOLD 30u" MINIMUM	BLACK
105301-0101	GOLD FLASH	BLACK
105301-0001	GOLD 30u" MINIMUM	WHITE
PART NUMBER	CONTACT AREA PLATING	HOUSING COLOR

ADD PART NUMBER EC NO: SH2016-0062 DRWN:XOZHANG 2015/08/11 CHKD:XOZHANG 2015/08/11 APPR:AYIN 2015/09/08	QUALITY SYMBOLS	GENERAL TOLERANCES (UNLESS SPECIFIED)	DIMENSION STYLE	SCALE	DESIGN UNITS	THIRD ANGLE PROJECTION
	$\nabla = 0$ $\nabla = 0$ $\nabla = 0$	4 PLACES ± --- ± --- 3 PLACES ± --- ± --- 2 PLACES ± 0.25 ± --- 1 PLACE ± 0.35 ± --- 0 PLACE ± --- ± ---	MM ONLY	1:1	METRIC	
		mmm INCH ANGULAR ± 2 °	DRAWN BY: XOZHANG DATE: 2013/07/25 CHECKED BY: DATE: 2013/07/25 APPROVED BY: DATE: 2013/08/15	TITLE	SALES DRAWING FOR USB MICRO-B, PLUG HEIGHT: 3.4MM	
		DRAFT WHERE APPLICABLE MUST REMAIN WITHIN DIMENSIONS	MATERIAL NO. 105301-0001 DOCUMENT NO. SD-105301-001		molex SHEET NO. 1 OF 1	