

MATERIAL NUMBER	# OF COLUMNS	# OF DIFF PAIR	DIM "A" MAX	DIM "B"	PTH ϕ
76495-8**	8	32	22.80	13.30	0.46 \pm 0.05
76495-8**					0.39 \pm 0.05
76495-1**	10	40	26.60	17.10	0.46 \pm 0.05
76495-1**					0.39 \pm 0.05
76495-2**	12	48	30.40	20.90	0.46 \pm 0.05
76495-2**					0.39 \pm 0.05
76495-7**	14	56	34.20	24.70	0.46 \pm 0.05
76495-7**					0.39 \pm 0.05
76495-6**	16	64	38.00	28.50	0.46 \pm 0.05
76495-6**					0.39 \pm 0.05

MODULE TYPE
 5 = RIGHT GUIDED, LEAD-FREE
 9 = RIGHT GUIDED, LEAD-FREE W/ ENDWALL

OF COLUMNS
 1 = 10 COLUMNS
 2 = 12 COLUMNS
 6 = 16 COLUMNS
 7 = 14 COLUMNS
 8 = 8 COLUMNS

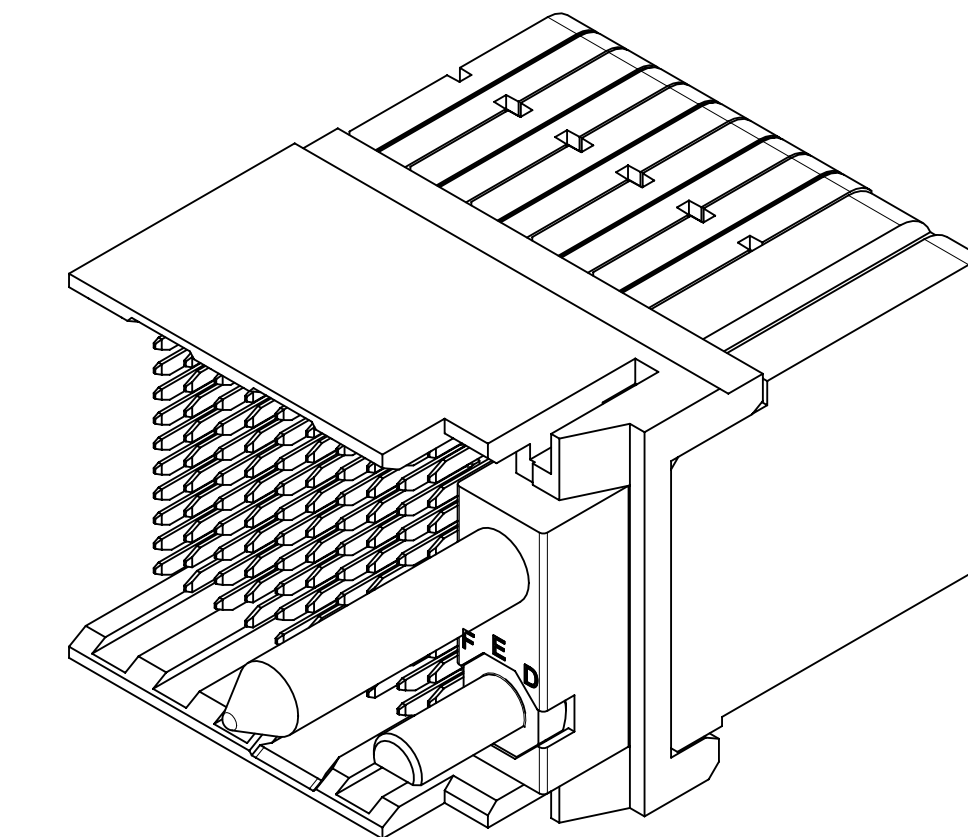
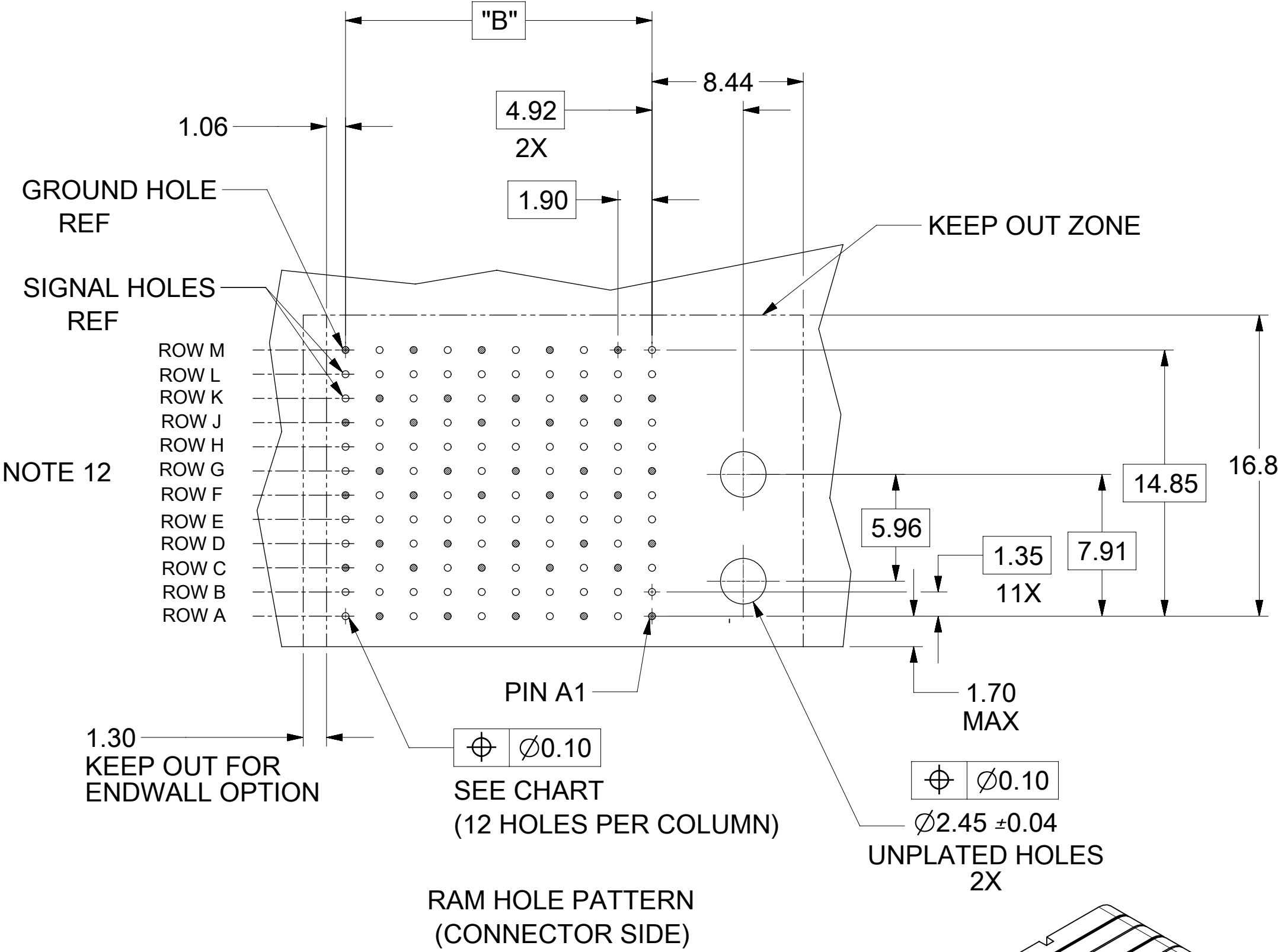
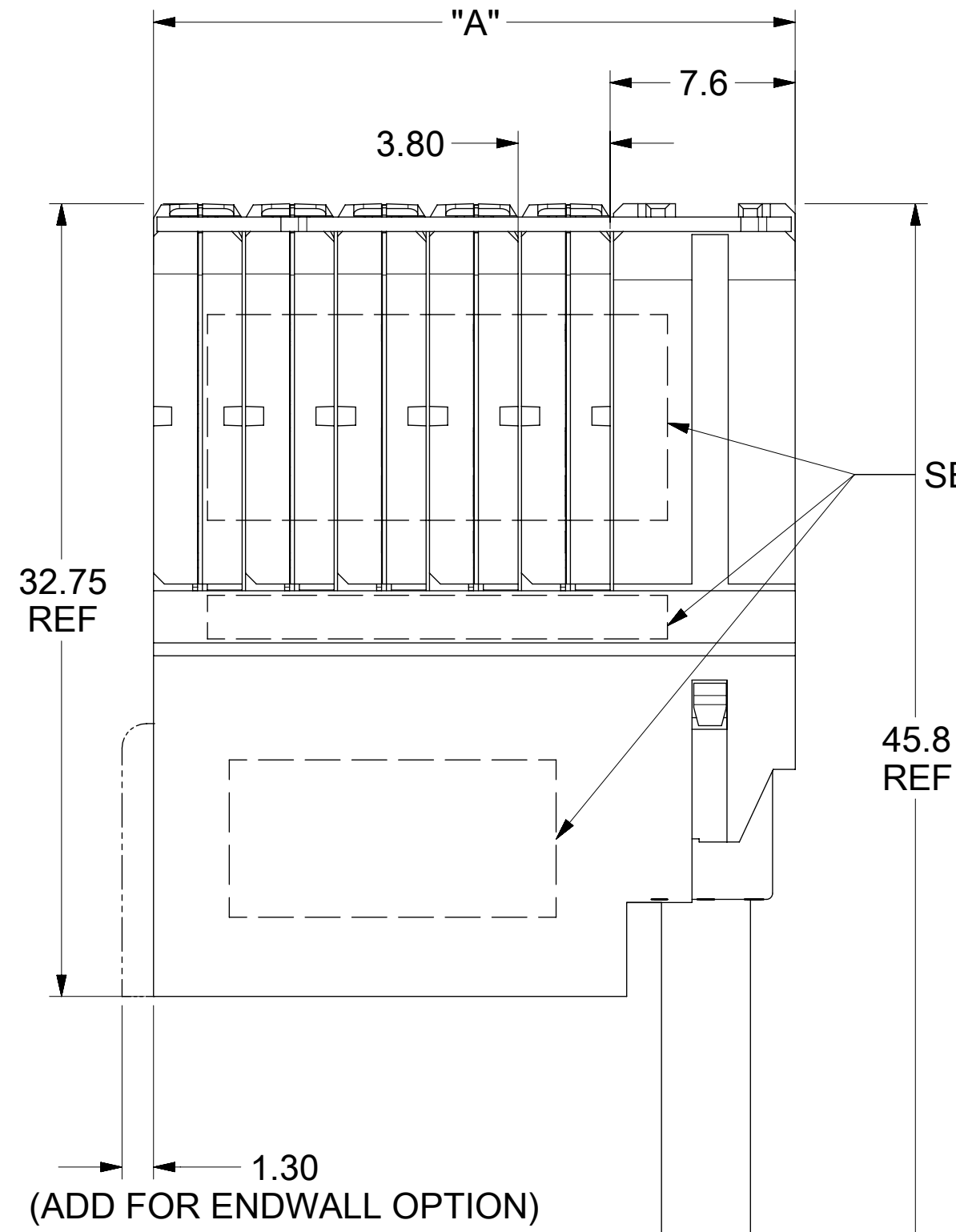
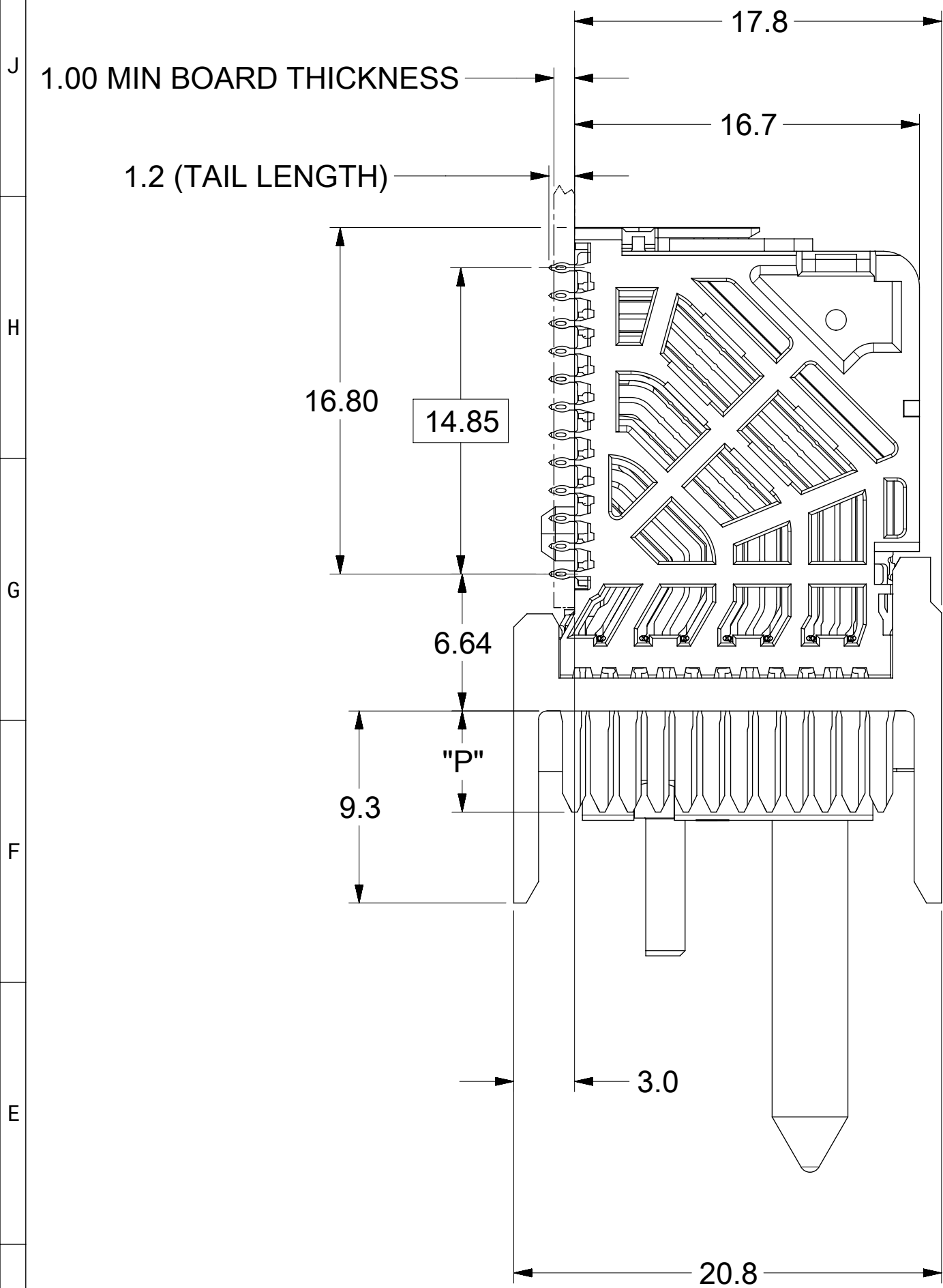
KEY ORIENTATION
 0 = NO KEY
 1 = A 5 = E
 2 = B 6 = F
 3 = C 7 = G
 4 = D 8 = H

76495-***

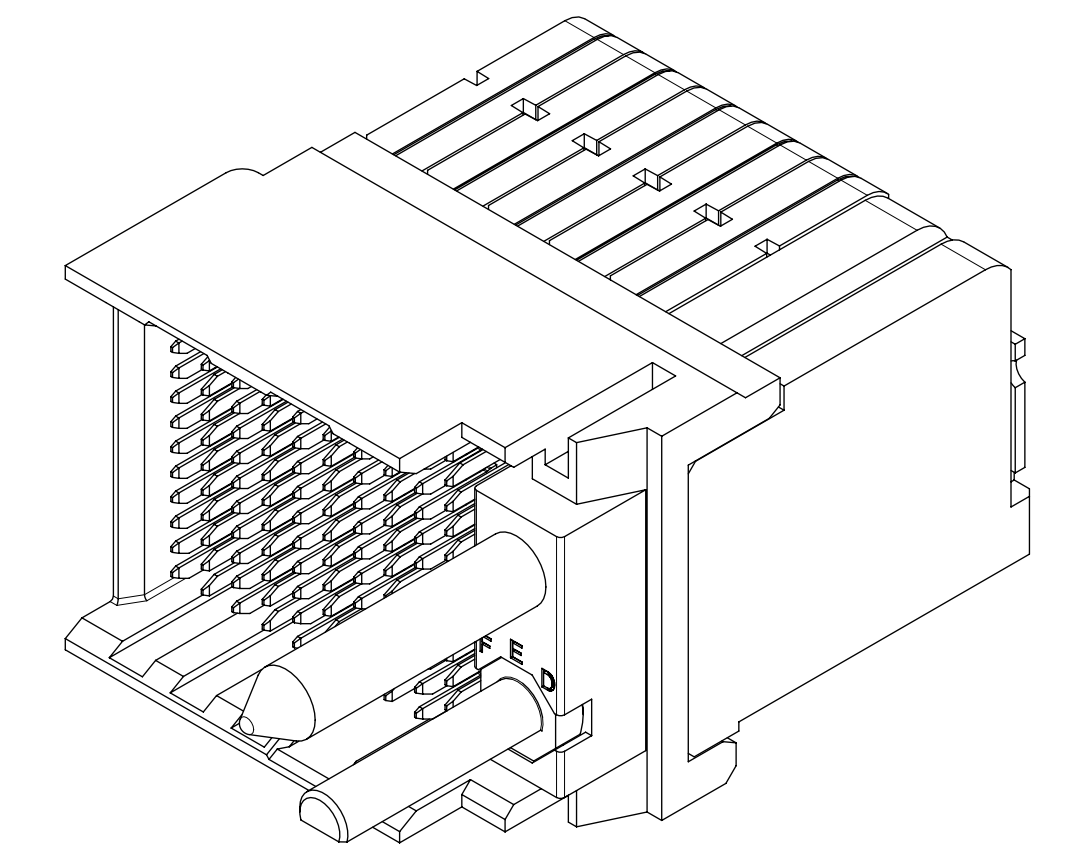
PIN LENGTH (P)
 4 = 4.90 (0.46 PTH)
 5 = 5.50 (0.46 PTH)
 7 = 4.90 (0.39 PTH)
 8 = 5.50 (0.39 PTH)

NOTES:

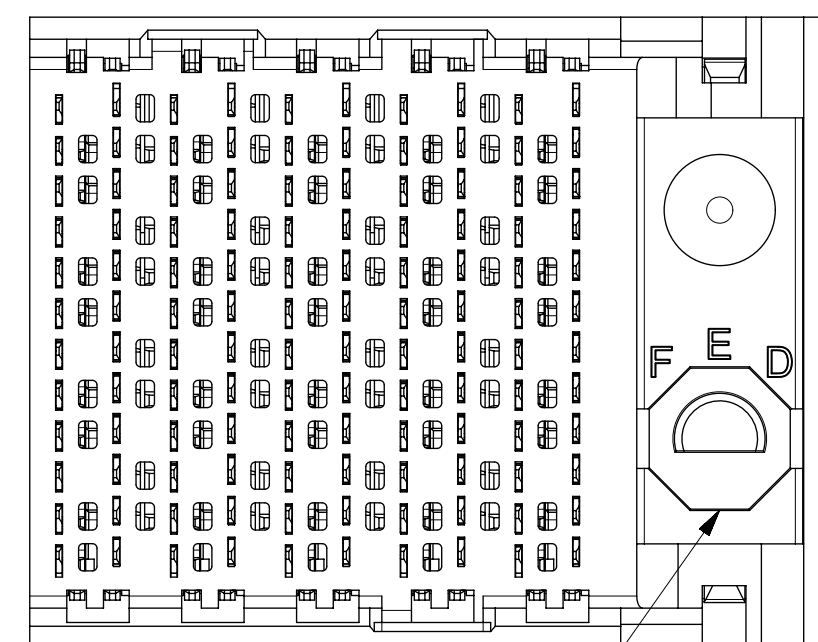
- MATERIALS: HOUSING - LIQUID CRYSTAL POLYMER (LCP), GLASS-FILLED, UL94V-0
TERMINALS - HIGH PERFORMANCE COPPER ALLOY
- FINISH: 30 μ IN SELECTIVE GOLD IN CONTACT AREA, SELECTIVE TIN ON PCB TAILS, NICKEL OVERALL.
- REFER TO MOLEX PRODUCT SPECIFICATION PS-170540-999 FOR PERFORMANCE SPECIFICATIONS AND ADDITIONAL PCB INFORMATION.
- EACH SIGNAL WAFER CONTAINS 2 COLUMNS OF TERMINALS.
- PRODUCT IS PACKAGED PER PK-70873-041.
- THIS PART CONFORMS TO CLASS B REQUIREMENTS OF COSMETIC SPEC PS-45499-002.
- REFER TO MOLEX SALES DRAWING SD-170340-002 FOR THE MATING RECEPTACLES.
- REFER TO MOLEX PCB ROUTING GUIDE AS-76060-990 FOR ANTIPAD AND ROUTING RECOMMENDATIONS.
- CONNECTORS SUPPLIED WITH A 2-32 SELF TAPPING TYPE AB P/N 73726-0000.
- GUIDE RIGHT RAM MATES WITH A GUIDE LEFT DAUGHTERCARD.
- GROUND PATHS ARE NOT DISCRETE CIRCUITS.
- MARKING: LOCATED APPROXIMATELY AS SHOWN. PART NUMBER AND DATE CODE



OPEN END OPTION

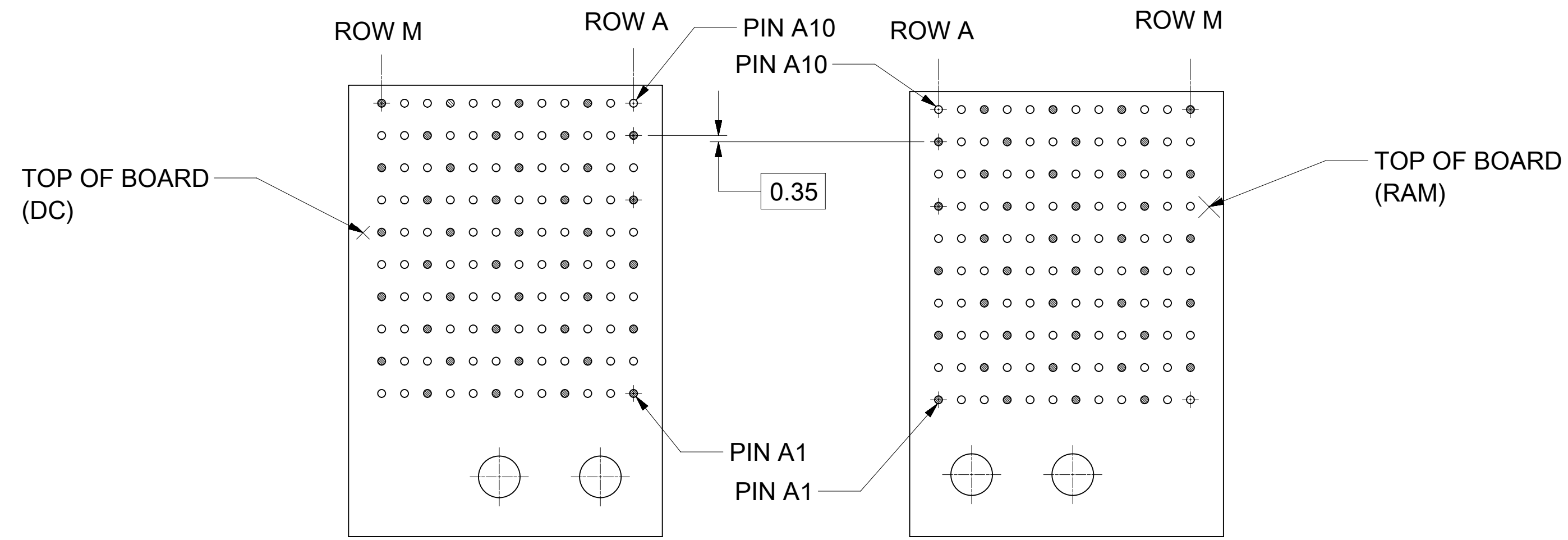


ENDWALL OPTION

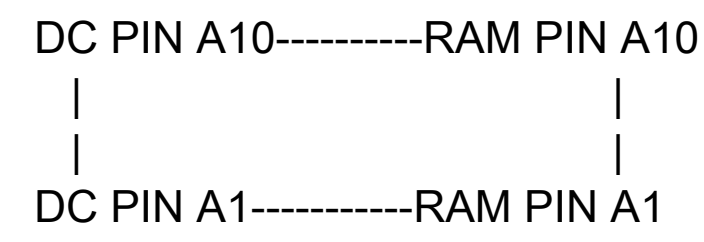


KEY SHOWN IN POSITION A

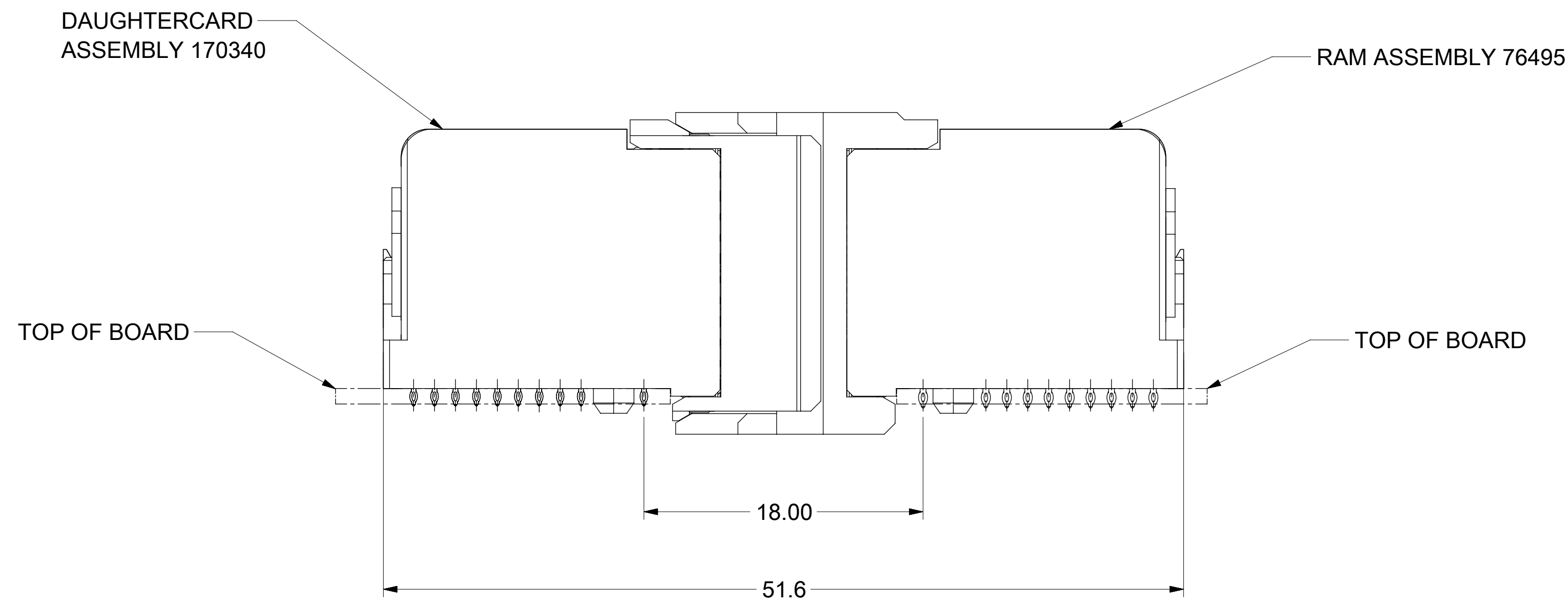
THIS DRAWING CONTAINS INFORMATION THAT IS PROPRIETARY TO MOLEX ELECTRONIC TECHNOLOGIES, LLC AND SHOULD NOT BE USED WITHOUT WRITTEN PERMISSION											
DIMENSION UNITS: mm		SCALE: NTS		CURRENT REV DESC: CORRECTED PCB PIN MAPPING IN SHT 1 & 2.							
GENERAL TOLERANCES (UNLESS SPECIFIED)				EC NO: 652178							
ANGULAR TOL \pm 0.5°				4 PLACES \pm		DRWN: DSHETTY01		2020/11/27		IMPACT 4 PAIR PLUS 85OHM RAM SIGNAL MODULE GUIDE RIGHT SALES DWG	
3 PLACES \pm				2 PLACES \pm 0.13		CHK'D: SHONG		2021/01/15		PRODUCT CUSTOMER DRAWING	
1 PLACE \pm 0.25				0 PLACES \pm		APPR: SHONG		2021/01/15		INITIAL REVISION:	
DRAFT WHERE APPLICABLE MUST REMAIN WITHIN DIMENSIONS				THIRD ANGLE PROJECTION		DRWN: JLAURX		2010/11/16		DOCUMENT NUMBER	
D-SIZE				SERIES: 76495		APPR: JLAURX		2012/11/19		DOC TYPE: PSD	
MATERIAL NUMBER: SEE CHART				CUSTOMER: GENERAL MARKET		SHEET NUMBER: 1 OF 2		SD-76495-004		DOC PART: 001	
REVISION: 01				DATE: 2021/01/15		DRAWN BY: JLAURX		CHECKED BY: SHONG		APPROVED BY: SHONG	



COPLANAR MATED SIGNAL PATHS



COPLANAR APPLICATION



THIS DRAWING CONTAINS INFORMATION THAT IS PROPRIETARY TO MOLEX ELECTRONIC TECHNOLOGIES, LLC AND SHOULD NOT BE USED WITHOUT WRITTEN PERMISSION									
DIMENSION UNITS	SCALE	CURRENT REV DESC: CORRECTED PCB PIN MAPPING IN SHT 1 & 2.							
mm	NTS	<p style="text-align: center;">IMPACT 4 PAIR PLUS 85OHM RAM SIGNAL MODULE GUIDE RIGHT SALES DWG</p> <p style="text-align: center;">PRODUCT CUSTOMER DRAWING</p>							
GENERAL TOLERANCES (UNLESS SPECIFIED)									
ANGULAR TOL	± 0.5°								
4 PLACES	±								
3 PLACES	±								
2 PLACES	± 0.13								
1 PLACE	± 0.25	EC NO: 652178	2020/11/27		DOCUMENT NUMBER		DOC TYPE	DOC PART	REVISION
0 PLACES	±	DRWN: DSHETTY01	2021/01/15		SD-76495-004		PSD	001	A5
DRAFT WHERE APPLICABLE MUST REMAIN WITHIN DIMENSIONS		THIRD ANGLE PROJECTION		DRAWING	SERIES	MATERIAL NUMBER	CUSTOMER		SHEET NUMBER
				D-SIZE	76495	SEE CHART	GENERAL MARKET		2 OF 2