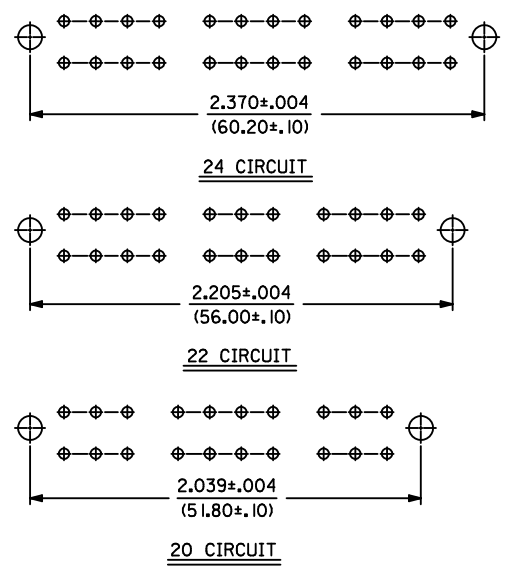
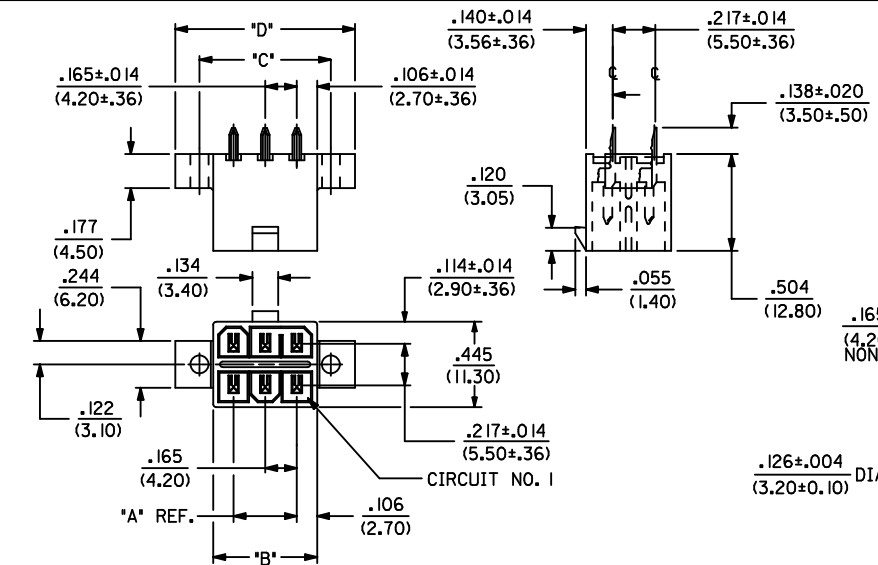


FLANGE MOUNT
(SEE SHT. 2 FOR PARTS WITH PEGS)

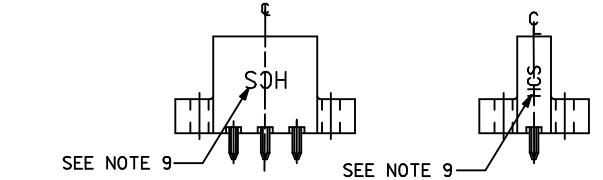


LETTER DIMENSIONS FOR ASSEMBLIES WITH FLANGES				
CKT. SIZE	DIM. "A"	DIM. "B"	DIM. "C"	DIM. "D"
2	—	.213 (5.40)	.354 (9.00)	.606 (15.40)
4	.165 (4.20)	.378 (9.60)	.520 (13.20)	.772 (19.60)
6	.331 (8.40)	.543 (13.80)	.685 (17.40)	.937 (23.80)
8	.496 (12.60)	.709 (18.00)	.850 (21.60)	1.102 (28.00)
10	.661 (16.80)	.874 (22.20)	1.016 (25.80)	1.268 (32.20)
12	.827 (21.00)	1.039 (26.40)	1.181 (30.00)	1.433 (36.40)
14	.992 (25.20)	1.205 (30.60)	1.346 (34.20)	1.598 (40.60)
16	1.157 (29.40)	1.370 (34.80)	1.512 (38.40)	1.764 (44.80)
18	1.520 (38.80)	1.732 (44.00)	1.874 (47.60)	2.126 (54.00)
20	1.685 (42.80)	1.898 (48.20)	2.039 (51.80)	2.291 (58.20)
22	1.850 (47.00)	2.063 (52.40)	2.205 (56.00)	2.457 (62.40)
24	2.016 (51.20)	2.228 (56.60)	2.370 (60.20)	2.622 (66.60)

- NOTES:
- HOUSING MATERIAL: POLYESTER, UNFILLED, 94V-0. COLOR: BLACK.
TERMINAL MATERIAL: COPPER ALLOY
 - PLATINGS:
1 = .000100/0.00254 MIN. BRIGHT TIN OVER
.000050/0.00127 MIN. NICKEL.
 - PRODUCT SPECIFICATION: PS-44476-001.
 - PACKAGING SPECIFICATION: PK-30069-001.
 - PART MATES WITH RECEPTACLE 30067-*.
6. PART IS DESIGNED FOR USE WITH #4-40 OR M3 SELF TAPPING SCREW.
 - CONNECTOR ASSEMBLIES ARE NOT TO BE MATED OR UNMATED WHILE CIRCUITS ARE LIVE.
 - ITEM NUMBERS PRECEDED BY AN "X" IN THE CHART ON SHEET 3 ARE NOT AVAILABLE.
 - PARTS WILL HAVE "HCS" MARKING.
 - PART CONFORMS TO CLASS "B" REQUIREMENTS OF COSMETIC SPECIFICATION PS-45499-002.

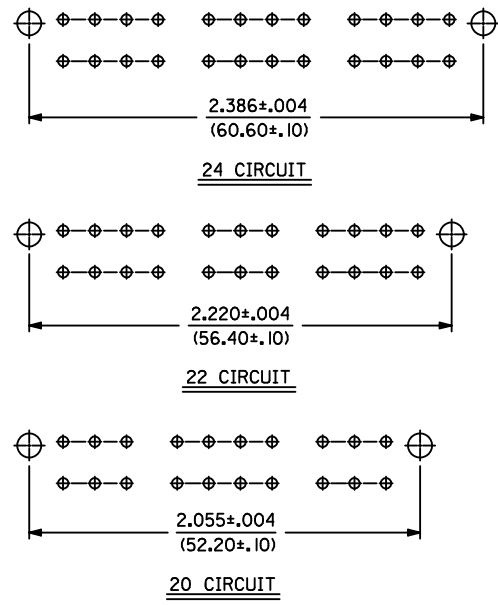
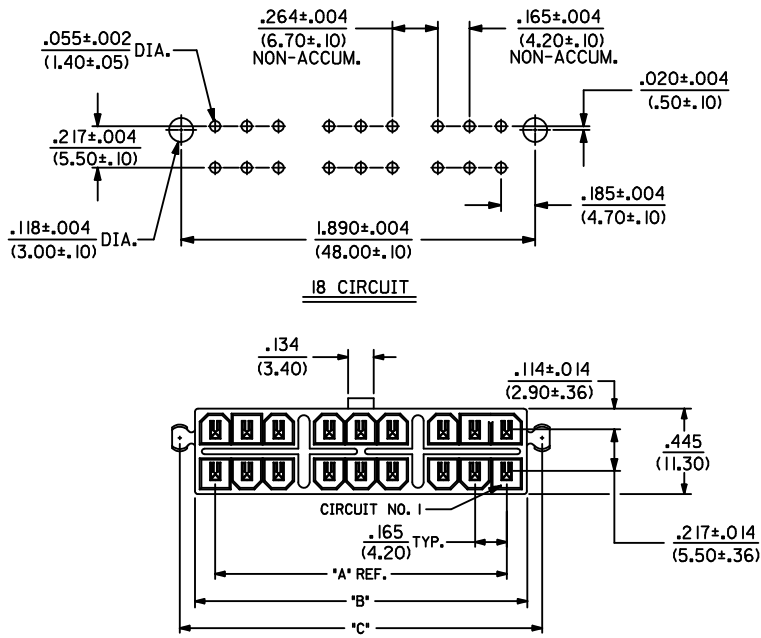


RECOMMENDED HOLE LAYOUT FOR .070/(1.78) MAX. THICK P.C. BOARD

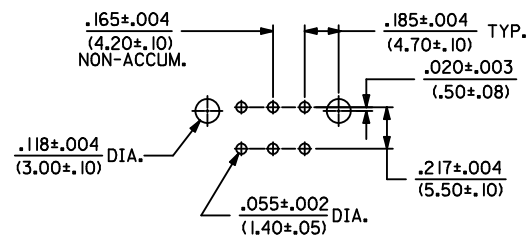
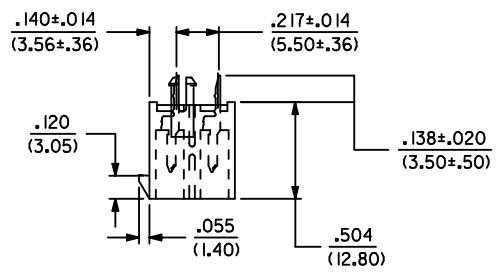
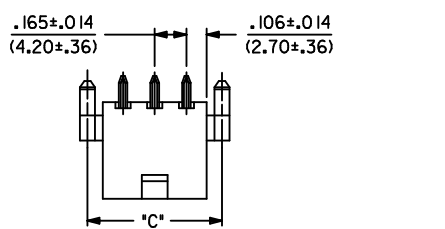


"HCS" ORIENTATION ON 2 CKT. PARTS

REVISED DRAWING REFERENCE EC NO: UCP2010-2129 DRWNG: JAGUILAR 2010/03/04 CHKD: JEBEL 2010/03/04 APPR: FSMITH 2010/04/14	DESCRIPTION QUALITY SYMBOLS ▽=0 ▽=0 ▽=0	GENERAL TOLERANCES (UNLESS SPECIFIED)		DIMENSION STYLE IN/MM	SCALE 2:1	DESIGN UNITS METRIC	THIRD ANGLE PROJECTION
		mm INCH		DRAWN BY DATE GEP 8/12/1994	TITLE T.P.A. VERT. HDR. ASS'Y FLANGES & PEGS, MINI-FIT HCS SERIES		
		4 PLACES ± --- ± --- 3 PLACES ± --- ± .010 2 PLACES ± .25 ± .014 1 PLACE ± 0.36 ± ---		CHECKED BY DATE RJF 8/12/1994	MOLEX INCORPORATED		
		ANGULAR ±1/2°		APPROVED BY DATE FSMITH 8/12/1994/109	MATERIAL NO. SEE SHT. 3	DOCUMENT NO. SDA-44473-****	SHEET NO. 1 OF 3
DRAFT WHERE APPLICABLE MUST REMAIN WITHIN DIMENSIONS		THIS DRAWING CONTAINS INFORMATION THAT IS PROPRIETARY TO MOLEX INCORPORATED AND SHOULD NOT BE USED WITHOUT WRITTEN PERMISSION					



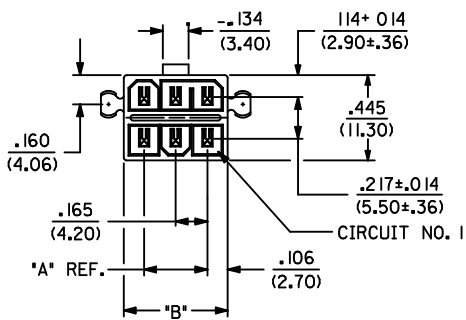
LETTER DIMENSIONS FOR ASSEMBLIES WITH PEGS			
CKT. SIZE	DIM. "A"	DIM. "B"	DIM. "C"
2	—	.213 (5.40)	.370 (9.40)
4	.165 (4.20)	.378 (9.60)	.535 (13.60)
6	.331 (8.40)	.543 (13.80)	.701 (17.80)
8	.496 (12.60)	.709 (18.00)	.866 (22.00)
10	.661 (16.80)	.874 (22.20)	1.031 (26.20)
12	.827 (21.00)	1.039 (26.40)	1.197 (30.40)
14	.992 (25.20)	1.205 (30.60)	1.362 (34.60)
16	1.157 (29.40)	1.370 (34.80)	1.528 (38.80)
18	1.520 (38.60)	1.732 (44.00)	1.890 (48.00)
20	1.685 (42.80)	1.898 (48.20)	2.055 (52.20)
22	1.850 (47.00)	2.063 (52.40)	2.220 (56.40)
24	2.016 (51.20)	2.228 (56.60)	2.386 (60.60)



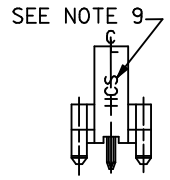
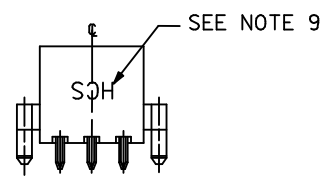
RECOMMENDED HOLE LAYOUT FOR .070/(1.78) MAX. THICK P.C. BOARD

LEGEND

- 44473 - ** **
- BASE NO. _____
- CKT. SIZE (02-24) _____
- HOUSING OPTIONS:
 - 1 = FLANGES
 - 3 = PEGS
- PLATING:
 - 1 = TIN OVER NICKEL



WITH PEGS



'HCS' ORIENTATION ON 2 CKT. PARTS

RMD DRAIN HOLE OPTION	QUALITY SYMBOLS	GENERAL TOLERANCES (UNLESS SPECIFIED)	DIMENSION STYLE	SCALE	DESIGN UNITS	THIRD ANGLE PROJECTION
EC NO: UCP2010-2129	▽=0	mm	IN/MM	2:1	METRIC	
DRWN: JAGUILAR 2010/03/04	▽=0	INCH				
CHKD: JEBEL 2010/03/04	▽=0	4 PLACES ± --- ± ---				
APPR: FSMITH 2010/04/14	▽=0	3 PLACES ± --- ± .010				
		2 PLACES ± 0.25 ± .014				
		1 PLACE ± 0.36 ± ---				
		ANGULAR ± 1/2°				

DRAFT WHERE APPLICABLE MUST REMAIN WITHIN DIMENSIONS

DRAWN BY: GEP 8/15/1994
 CHECKED BY: RJJF 8/15/1994
 APPROVED BY: FSM 8/15/1994
 MATERIAL NO. SEE SHT. 3
 DOCUMENT NO. SDA-44473-****

T.P.A VERT HDR ASS'Y
 FLANGES & PEGS
 MINI-FIT H.C.S SERIES
 MOLEX INCORPORATED
 SHEET NO. 2 OF 3

13			12			11			10			9			8			7			6			5			4			3			2			1					
WITH FLANGES, NO DRAIN HOLES			WITH PEGS, NO DRAIN HOLES			WITH FLANGES, NO DRAIN HOLES			WITH PEGS, NO DRAIN HOLES			WITH FLANGES, NO DRAIN HOLES			WITH PEGS, NO DRAIN HOLES			WITH FLANGES, NO DRAIN HOLES			WITH PEGS, NO DRAIN HOLES			WITH FLANGES, NO DRAIN HOLES			WITH PEGS, NO DRAIN HOLES			WITH FLANGES, NO DRAIN HOLES			WITH PEGS, NO DRAIN HOLES			WITH FLANGES, NO DRAIN HOLES			WITH PEGS, NO DRAIN HOLES		
CKT. SIZE	ITEM NO.	PLATING SEE NOTE 6	CKT. SIZE	ITEM NO.	PLATING SEE NOTE 6	CKT. SIZE	ITEM NO.	PLATING SEE NOTE 6	CKT. SIZE	ITEM NO.	PLATING SEE NOTE 6	CKT. SIZE	ITEM NO.	PLATING SEE NOTE 6	CKT. SIZE	ITEM NO.	PLATING SEE NOTE 6	CKT. SIZE	ITEM NO.	PLATING SEE NOTE 6	CKT. SIZE	ITEM NO.	PLATING SEE NOTE 6	CKT. SIZE	ITEM NO.	PLATING SEE NOTE 6	CKT. SIZE	ITEM NO.	PLATING SEE NOTE 6	CKT. SIZE	ITEM NO.	PLATING SEE NOTE 6									
2	44473-0211	I	2	44473-0231	I	2			2			2			2			2			2			2			2			2			2			2					
4	44473-0411	↑	4	44473-0431	↑	4			4			4			4			4			4			4			4			4			4			4					
6	44473-0611		6	44473-0631		6			6			6			6			6			6			6			6			6			6			6					
8	44473-0811		8	44473-0831		8			8			8			8			8			8			8			8			8			8			8					
10	44473-1011		10	44473-1031		10			10			10			10			10			10			10			10			10			10			10					
12	44473-1211		12	44473-1231		12			12			12			12			12			12			12			12			12			12			12					
14	X 44473-1411		14	X 44473-1431		14			14			14			14			14			14			14			14			14			14			14					
16	44473-1611		16	X 44473-1631		16			16			16			16			16			16			16			16			16			16			16					
18	X 44473-1811		18	X 44473-1831		18			18			18			18			18			18			18			18			18			18			18					
20	X 44473-2011		20	X 44473-2031		20			20			20			20			20			20			20			20			20			20			20					
22	X 44473-2211	↓	22	X 44473-2231	↓	22			22			22			22			22			22			22			22			22			22			22					
24	X 44473-2411	I	24	X 44473-2431	I	24			24			24			24			24			24			24			24			24			24			24					

SEE NOTE 8

REMOVED DRAIN HOLES EC NO: UCP2010-2129 DRWN: JAGUILAR 2010/03/04 CHKD: JEBEL 2010/03/04 APPR: FSMITH 2010/04/14 DESCRIPTION	QUALITY SYMBOLS	GENERAL TOLERANCES (UNLESS SPECIFIED)	DIMENSION STYLE	SCALE	DESIGN UNITS	THIRD ANGLE PROJECTION
	▽=0	mm INCH	IN/MM	1:1	METRIC	
	▽=0	4 PLACES ± --- ± ---	DRAWN BY DATE	TITLE T.P.A. VERT. HDR. ASS'Y FLANGES & PEGS MINI-FIT H.C.S. SERIES		
	▽=0	3 PLACES ± --- ± ---	GEP 8/15/1994			
	2 PLACES ± --- ± ---	CHECKED BY DATE	MOLEX INCORPORATED			
	1 PLACE ± --- ± ---	RJF 8/15/1994				
		APPROVED BY DATE	MATERIAL NO. DOCUMENT NO. SHEET NO. SEE CHART SDA-44473-**** 3 OF 3			
		FSMIRHF 8/12/2010				
		ANGULAR ±1/2°	DRAFT WHERE APPLICABLE MUST REMAIN WITHIN DIMENSIONS			
			THIS DRAWING CONTAINS INFORMATION THAT IS PROPRIETARY TO MOLEX INCORPORATED AND SHOULD NOT BE USED WITHOUT WRITTEN PERMISSION			