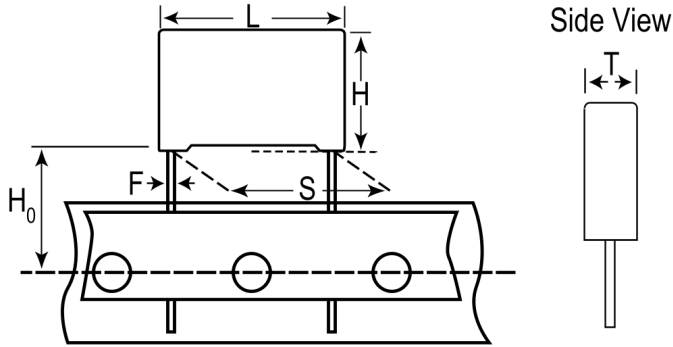


R75TN3100CK30J

Aliases (75TN3100CK30J)

R75, Film, Metallized Polypropylene, Automotive Grade, 0.1 uF, 5%, 1600 VDC, 85°C, Lead Spacing = 22.5mm



Click [here](#) for the 3D model.

Dimensions

L	26.5mm +0.3/-0.5mm
H	22mm +0.1/-0.5mm
T	13mm +0.2/-0.5mm
S	22.5mm +/-0.4mm
H0	18.5mm +/-0.5mm
F	0.8mm +/-0.05mm

Packaging Specifications

Packaging	T&R, Large
Packaging Quantity	300

General Information

Series	R75
Dielectric	Metallized Polypropylene
Style	Radial
Features	Automotive Grade, Pulse
RoHS	Yes
Lead	Wire Leads
Qualifications	AEC-Q200
AEC-Q200	Yes
Component Weight	9.09 g
Miscellaneous	Above 85C DC And AC Voltage Derating Is 1.25%/C.

Specifications

Capacitance	0.1 uF
Capacitance Tolerance	5%
Voltage AC	650 VAC
Voltage DC	1600 VDC
Temperature Range	-55/+105°C
Rated Temperature	85°C
Dissipation Factor	0.04% 1kHz, 0.06% 10kHz, 0.25% 100kHz
Insulation Resistance	100 GOhms
Max dV/dt	3000 V/us
Resistance	11.1 mOhms (100kHz)
Ripple Current	7.56 Amps (100kHz 85C), 300 Amps (Peak)
Inductance	18 nH