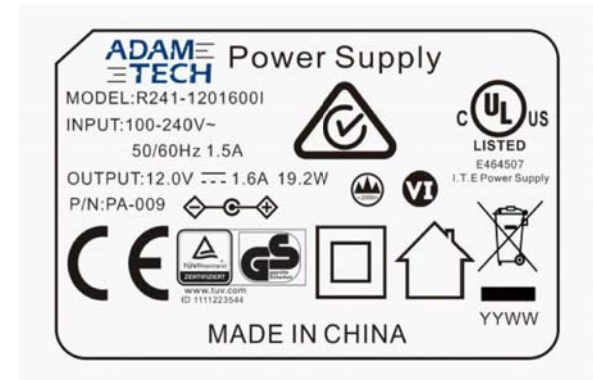
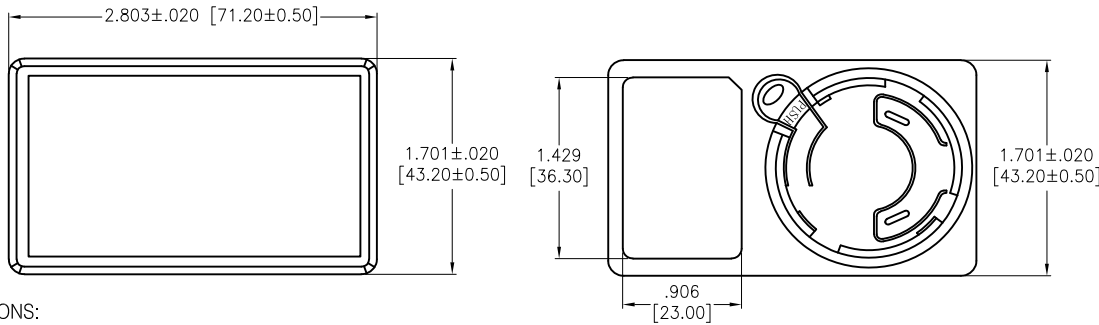
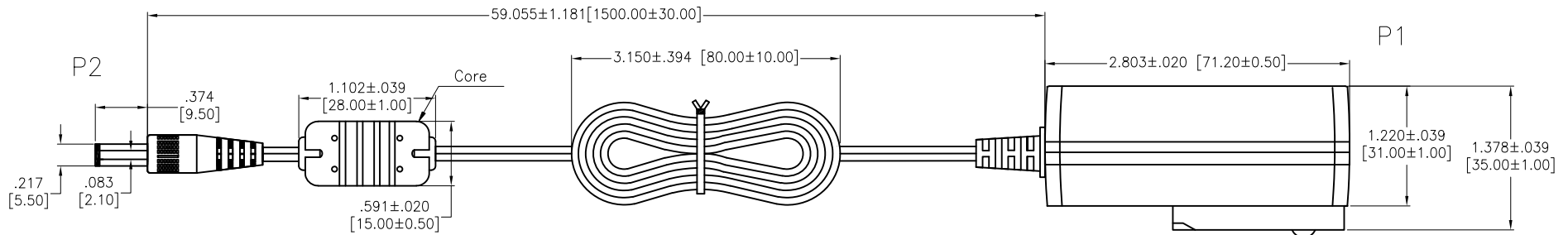


APPROVED: _____
 DATE: _____ TITLE: _____

Rev	AWO #	Description	Date	Appr
-		RELEASED	3/23/21	
A		ADDED TOLERANCE	6/10/21	WX/AC
B		UPDATE LABEL	7/19/21	WX/AC



SPECIFICATIONS:

Connector
 P1: Power Adapter, W/Strain
 P2: DC Plug, W/Strain Relief, AC PIN: Brass Nickel plated, 5.5*2.1*9.5mm
 Overmold Color: Black PVC-45P

CABLE:
 UL2468: 22AWG*2C 80°C, Jacket Color: Black

Electrical:
 Input:
 Voltage: 100Vac to 240Vac
 Current: 1.5A Max. @ 100Vac input & max load
 Frequency: 50Hz / 60Hz

Output:
 Voltage: 12V
 Current: 1.6A max.
 Load Regulation: ±5%
 Line Regulation: ±3%

Line Load Regulation-Output Rate: 12V, 1.6A
 Insulation Resistance: 100 Mohms min @ 500VDC
 Dielectric withstanding voltage (Hi-pot): 3,000V AC For 1 Minute
 Leakage Current: 0.25mA max. @ 240V AC/50Hz
 Temperature Rating:
 Operating Temperature: 0°C to +45°C
 Storage Temperature: -25°C to +85°C

Environmental:
 Lead free, RoHS compliant.

SEE SHT 2 OF 2 FOR PLUG TYPE OPTIONS

UNLESS OTHERWISE SPECIFIED ALL DIMENSIONS ARE INCHES [MM] TOLERANCES: EXCEPT AS NOTED		909 Rahway Avenue, Union, NJ 07083 Phone: 908-687-5000 Fax: 908-687-5710		
INCHES HOLES				
.X ± .10	∅X ± .10	TITLE POWER ADAPTER TO DC PLUG, COLOR BLACK 12 VOLT, 1.6AMP, UL2468 22AWG, 5.5X2.1X9.5MM		
.XX ± .020	∅XX ± .015			
.XXX ± .015	∅XXX ± .010	SIZE X	PART NO. PA-009-X	REV. B
APPROVALS		DATE		REF:
DRAWN	WX	3/23/21		SCALE: NTS
CHECKED	AC	3/23/21		SHEET 1 OF 2
APPROVED				

6

5

4

3

2

1

6

5

4

3

2

1

6

5

4

3

2

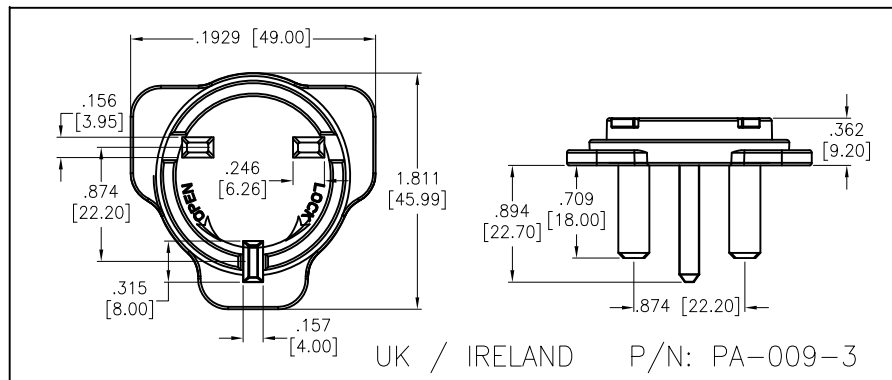
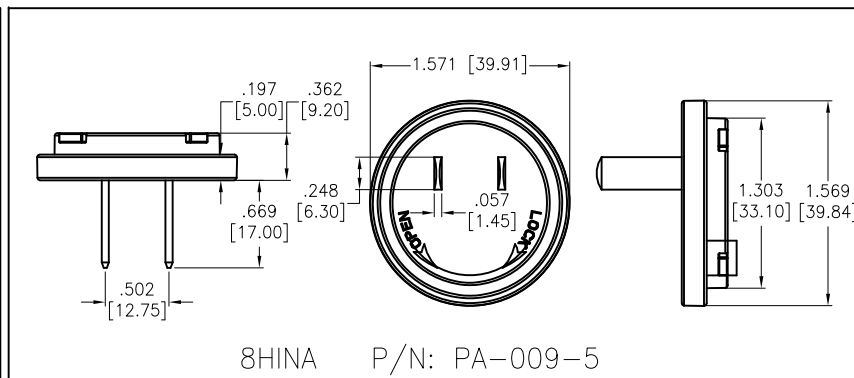
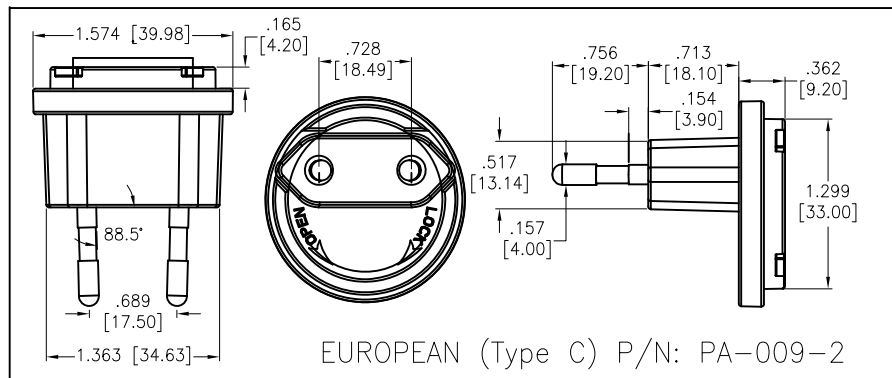
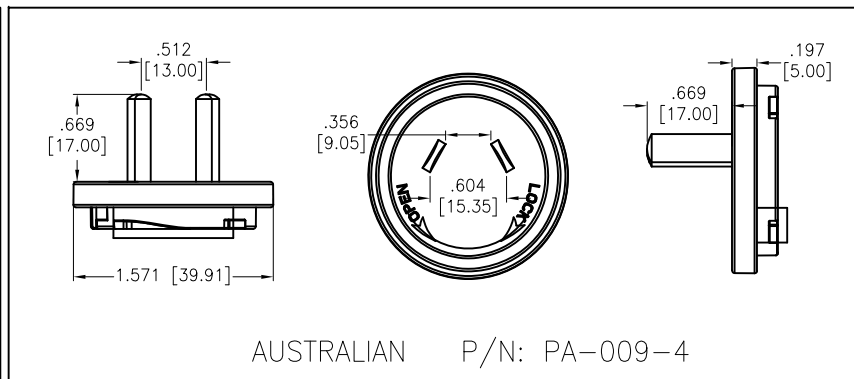
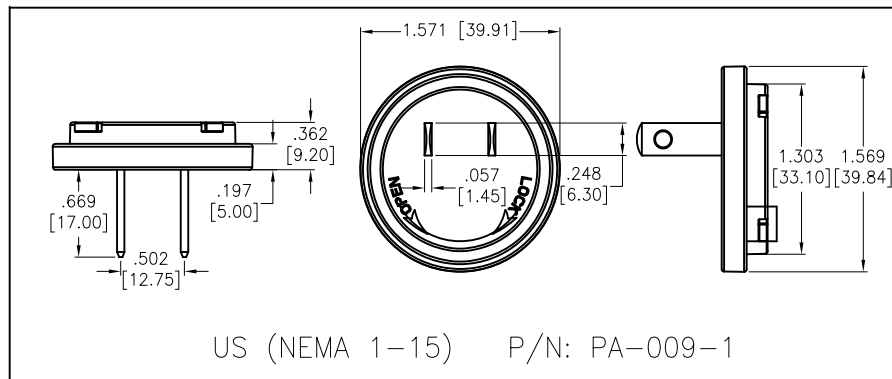
1

APPROVED: _____

DATE: _____ TITLE: _____

Rev	AWO #	Description	Date	Appr
-----	-------	-------------	------	------

SEE SHT 1 OF 2 FOR REVISION



UNLESS OTHERWISE SPECIFIED
 ALL DIMENSIONS ARE INCHES [MM]
 TOLERANCES: EXCEPT AS NOTED
 INCHES HOLES
 .X ± .10 ØX ± .10
 .XX ± .020 ØXX ± .015
 .XXX ± .015 ØXXX ± .010

**ADAM
 TECH**

909 Rahway Avenue,
 Union, NJ 07083
 Phone: 908-687-5000
 Fax: 908-687-5710

APPROVALS		DATE
DRAWN	WX	3/23/21
CHECKED	AC	3/23/21
APPROVED		

TITLE		
POWER ADAPTER TO DC PLUG, COLOR BLACK 12 VOLT, 1.6AMP, UL2468 22AWG, 5.5X2.1X9.5MM		
SIZE	PART NO.	REV.
X	PA-009-X	B
REF:	SCALE: NTS	SHEET 2 OF 2

6

5

4

3

2

1