

# Customer Information Sheet

DRAWING No.: M80-5S1XXXXMEP

IF IN DOUBT - ASK

©

NOT TO SCALE

THIRD ANGLE PROJECTION

ALL DIMENSIONS IN mm

**SPECIFICATIONS:**

**MATERIAL:**

MOULDING = GLASS-FILLED PPS,  
UL94V-0, BLACK  
CONTACT = PHOSPHOR BRONZE  
JACKSCREW = STAINLESS STEEL  
PICK & PLACE CAP = PHOSPHOR BRONZE

**FINISH (CONTACTS):**

NICKEL ALL OVER CONTACTS  
05 = 0.75µm GOLD ALL OVER  
22 = 0.75µm GOLD ON CONTACT AREA,  
3µm TIN/LEAD ON TAILS  
42 = 0.75µm GOLD ON CONTACT AREA,  
3µm 100% TIN ON TAILS

**ELECTRICAL:**

CURRENT RATING AT 25°C = 3.0A MAX  
CURRENT RATING AT 85°C = 2.2A MAX  
WORKING VOLTAGE = 800V AC/DC  
VOLTAGE PROOF = 1200V AC/DC  
CONTACT RESISTANCE = 25mΩ MAX  
INSULATION RESISTANCE = 100MΩ MIN

**MECHANICAL:**

DURABILITY = 500 OPERATIONS

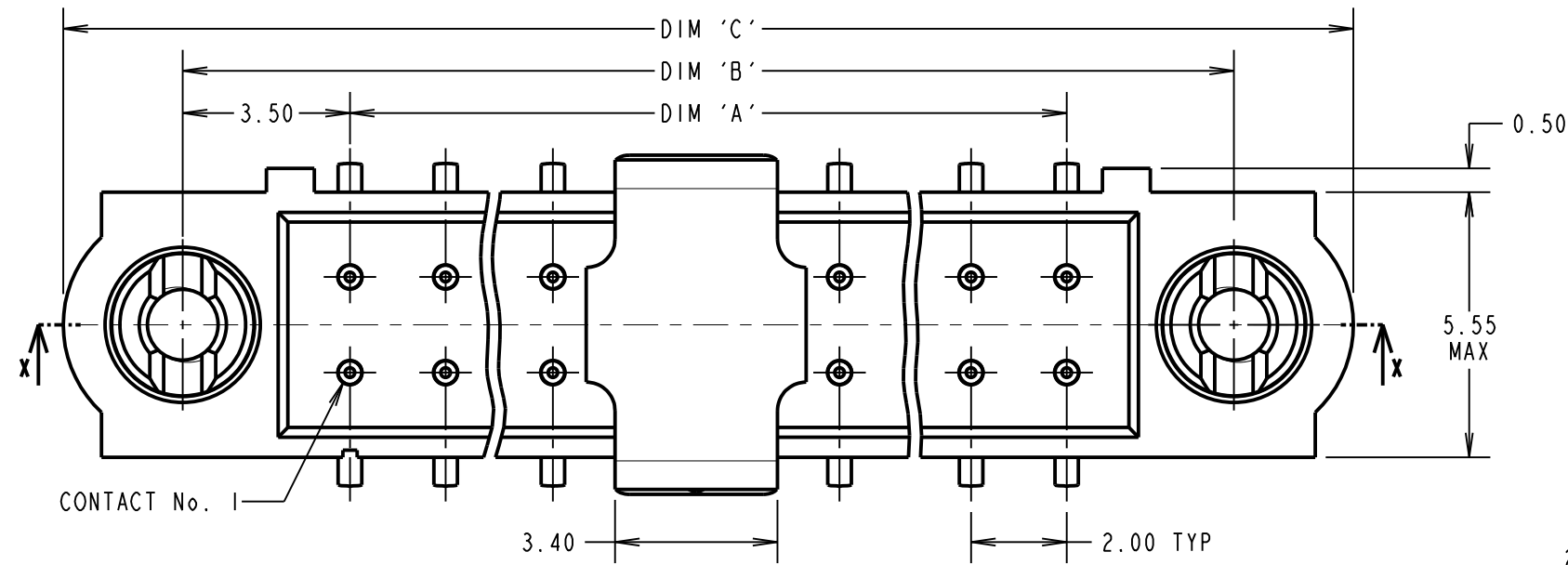
**ENVIRONMENTAL:**

TEMPERATURE RANGE = -55°C TO +125°C

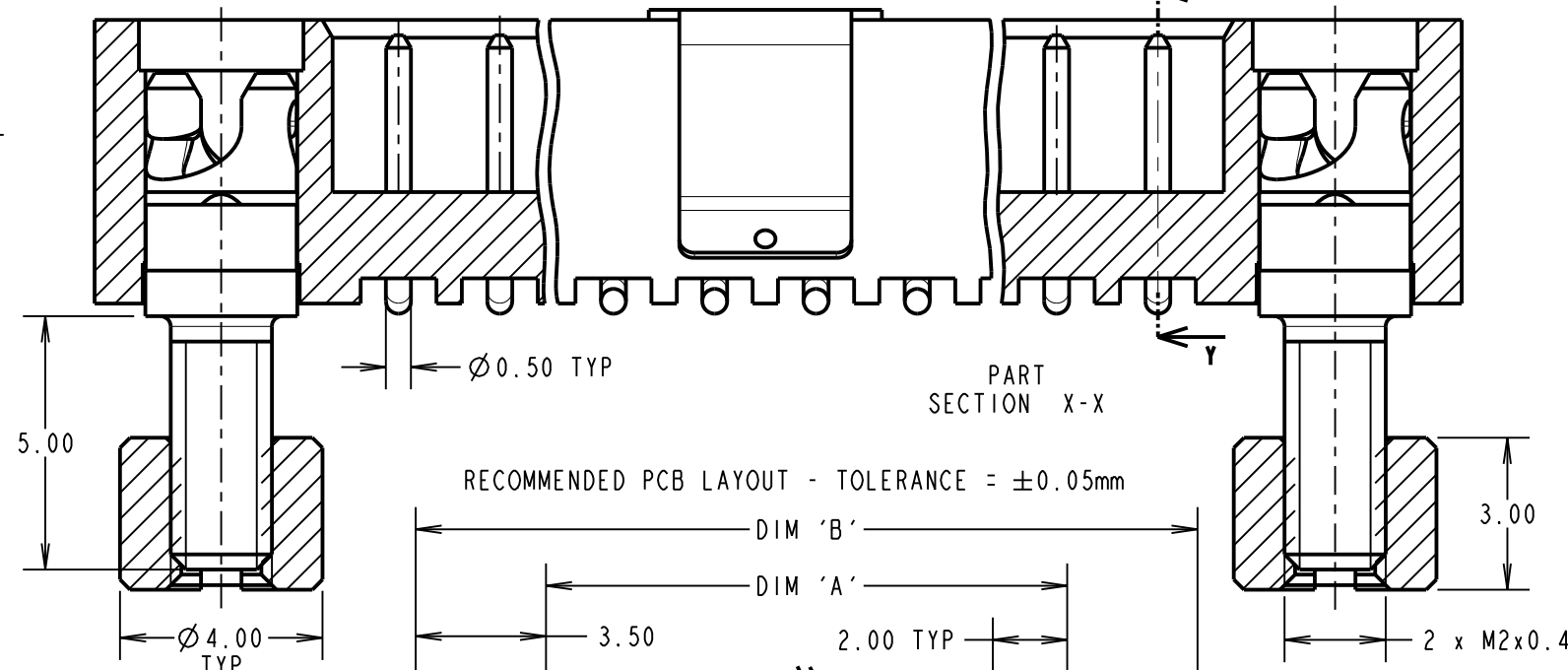
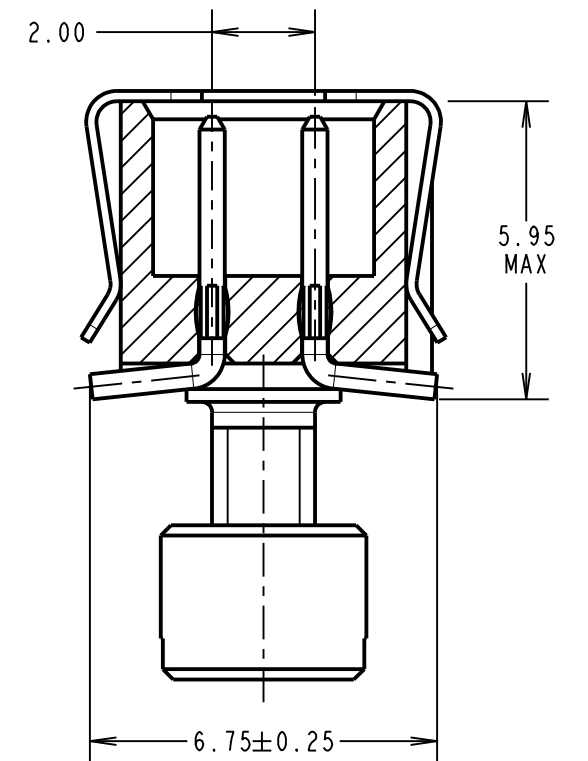
**PACKING:**

TUBE

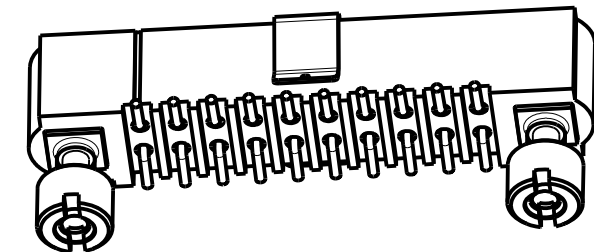
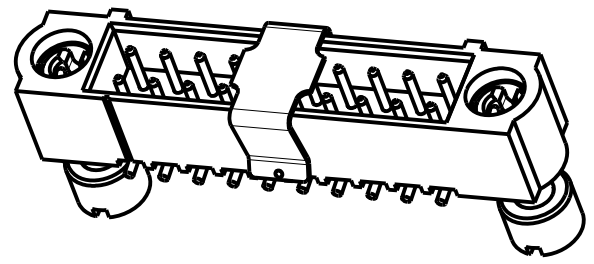
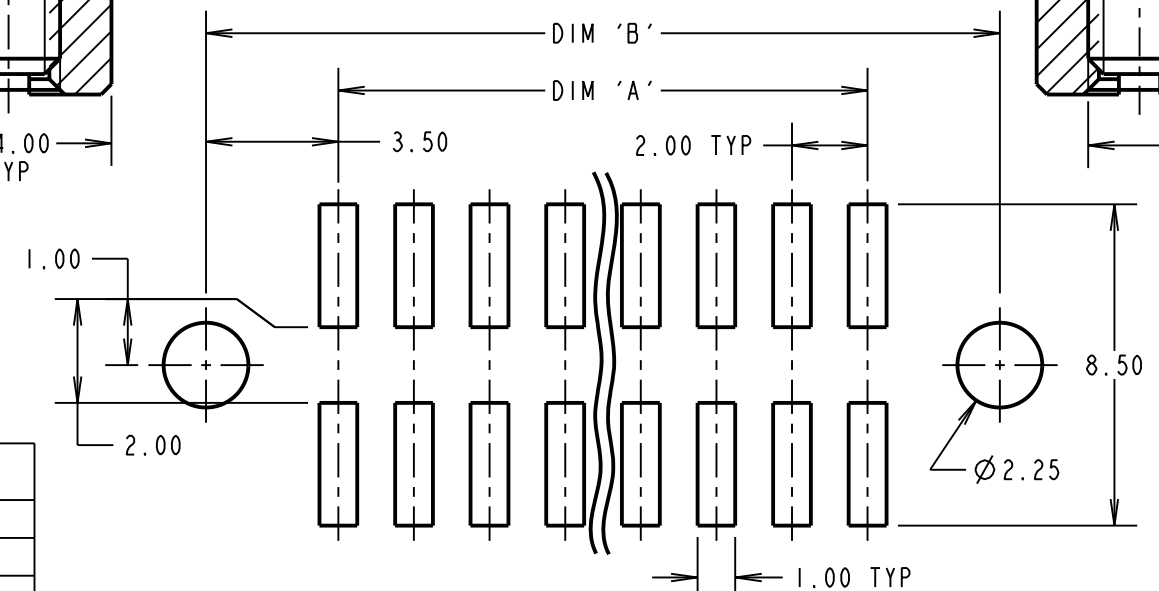
FOR COMPLETE SPECIFICATION, SEE COMPONENT SPECIFICATION C005XX (LATEST ISSUE)



SECTION Y-Y



RECOMMENDED PCB LAYOUT - TOLERANCE = ±0.05mm



DIMENSION	CALCULATION
DIM 'A'	TOTAL No. OF CONTACTS - 2.00
DIM 'B'	TOTAL No. OF CONTACTS + 5.00
DIM 'C'	TOTAL No. OF CONTACTS + 10.0

EXAMPLE ORDER CODE 1: CONNECTOR WITH 20 CONTACTS,  
GOLD ON CONTACT AREA AND 100% TIN OVER NICKEL ON TAIL  
**M80-5S12042MEP**  
DIM 'A' = 18.00mm, DIM 'B' = 25.00mm, DIM 'C' = 30.0mm

ORDER CODE:  
**M80-5S1XXXXMEP**

TOTAL No. OF CONTACTS  
04 TO 50  
(EVEN NUMBERS ONLY)

FINISH CODE  
05 - GOLD  
22 - GOLD ON CONTACT AREA / TIN/LEAD ON TAIL  
42 - GOLD ON CONTACT AREA / 100% TIN ON TAIL

MGP	5	19.04.21	30471
NAME	ISS.	DATE	CN/CO
APPROVED: MGP			
CHECKED: RA			
DRAWN: MARK PLESTED			
CUSTOMER REF.:			
ASSEMBLY DRG:			

**HARWIN**

www.harwin.com  
technical@harwin.com

THIS DRAWING AND ANY INFORMATION OR DESCRIPTIVE MATTER SET OUT HEREON ARE CONFIDENTIAL AND COPYRIGHT PROPERTY OF THE HARWIN GROUP AND MUST NOT BE DISCLOSED, LOANED, COPIED OR USED FOR MANUFACTURING, TENDERING OR FOR ANY OTHER PURPOSE WITHOUT THEIR WRITTEN PERMISSION.

**TOLERANCES**  
X. = ±1mm  
X.X = ±0.50mm  
X.XX = ±0.20mm  
X.XXX = ±0.01mm  
ANGLES = ±5°  
UNLESS STATED

**MATERIAL:** SEE ABOVE  
**FINISH:** SEE ABOVE  
**S/AREA:** mm<sup>2</sup>

**TITLE:** DATAMATE J-TEK DIL VERT SMT MALE ASSY WITH 10ILOK RETAINERS & P/PLACE  
**DRAWING NUMBER:** M80-5S1XXXXMEP  
SHT 2 OF 2