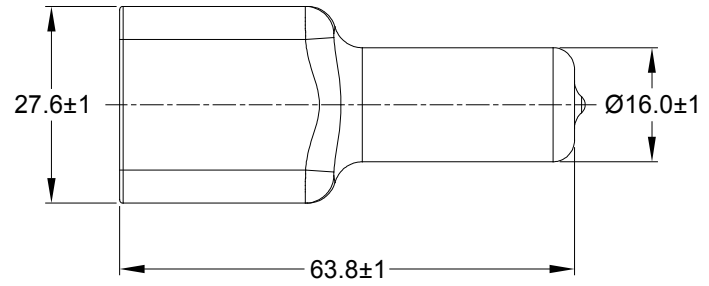
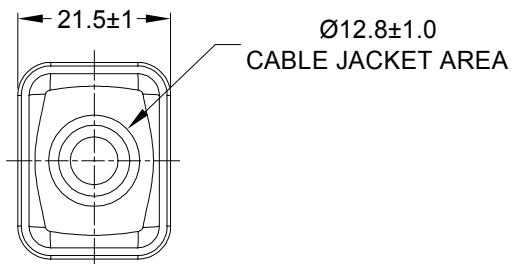
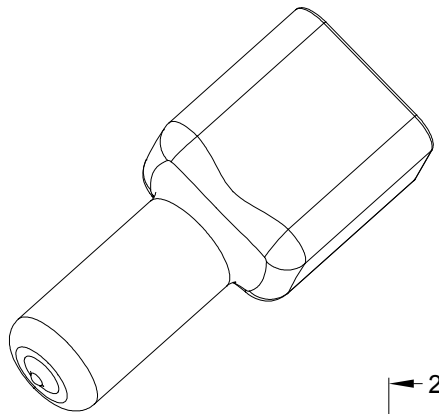


REVISIONS					
REV	ECO	DESCRIPTION	DATE	BY	APPR
A1	-	RELEASE NUMBER	28AUG19	BROOK	TOMMY



PART NUMBER CHART	
COLOR	PART NUMBER
GREY	AT8P-BT
BLACK	AT8P-BT-BK
YELLOW	AT8P-BT-YW

- NOTES: UNLESS OTHERWISE SPECIFIED
- THIS PART IS USED ON AT04-08P RECEPTACLE  
ANY MODIFICATION DOES NOT INCLUDE AN END CAP.
  - TEMPERATURE RATING : -29°C TO +100°C [-20°F TO +212°F]
  - ALL DIMENSIONS ARE FOR REFERENCE USE ONLY.

SEE PART NUMBER CHART		REF: DT8P-BT , DT8P-BT-BK , DT8P-BT-YW			
PART NUMBER		DESCRIPTION			
QUANTITY	MATERIALS LIST			ITEM	
<b>UNLESS OTHERWISE SPECIFIED</b> 1) All dimensions are in metric(mm). 2) Tolerances are as follows: 1 PL DEC ±0.30 2 PL DEC ±0.15 3 PL DEC ±0.08 Fractions ±1/64 Angles ±1° 3) Note reference =		<b>SIGNATURES</b> DRAWN: <b>BROOK.DING</b> CHECKED: <b>ORION.LI</b> ENGINEER: APPROVAL: <b>TOMMY.XIE</b> CUSTOMER:		<b>DATE</b> 28AUG19 28AUG19 28AUG19	
MATERIAL SPECIFICATIONS: <b>PVC</b>		THIS DRAWING IS SUPPLIED FOR INFORMATION ONLY. DESIGN FEATURES, SPECIFICATIONS AND PERFORMANCE DATA SHOWN HEREON ARE THE PROPERTY OF THE AMPHENOL CORPORATION. NO RIGHTS OF REPRODUCTION ARE IMPLIED. ALL DIMENSIONS ARE SUBJECT TO NORMAL MANUFACTURING VARIATIONS.		<b>Amphenol</b> Sine Systems - www.amphenol-sine.com 44724 Morley Drive Clinton Township, MI 48036	
PROCESS SPECIFICATIONS:		SIZE: <b>A C-</b>		DWG NO: <b>AT8P-BT-XX</b>	
NEXT ASSY:		SCALE: <b>NONE</b>		REVISION: <b>A1</b>	
				SHEET <b>1</b> OF <b>1</b>	