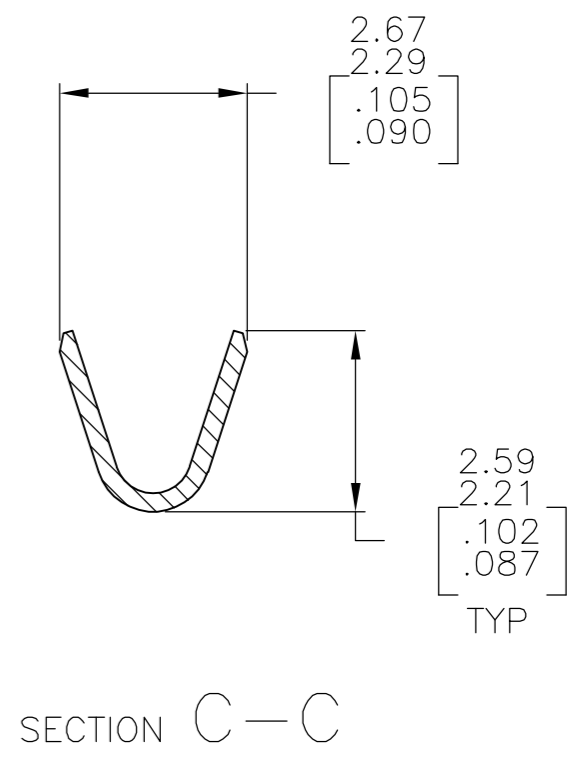
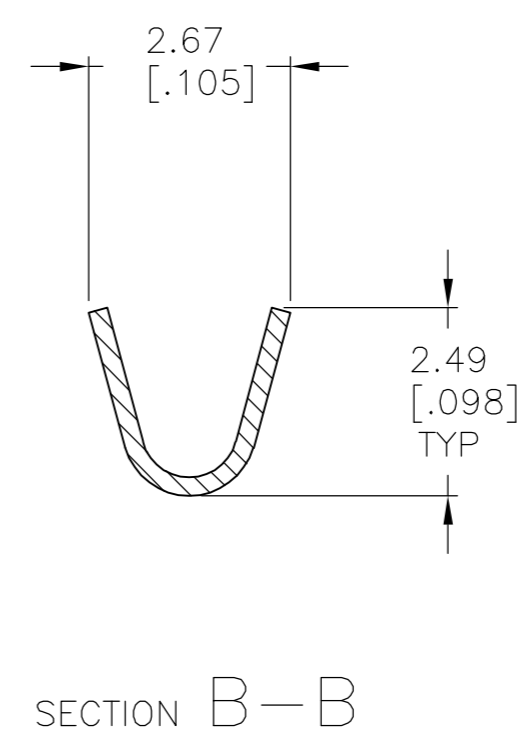
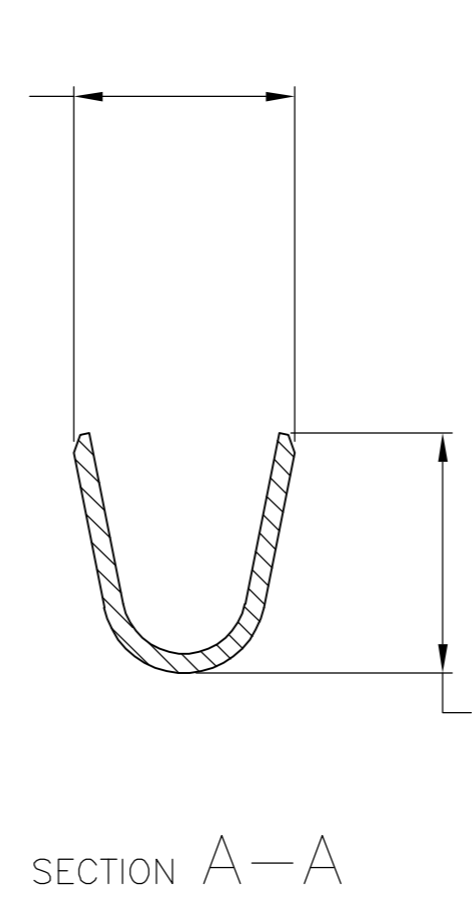
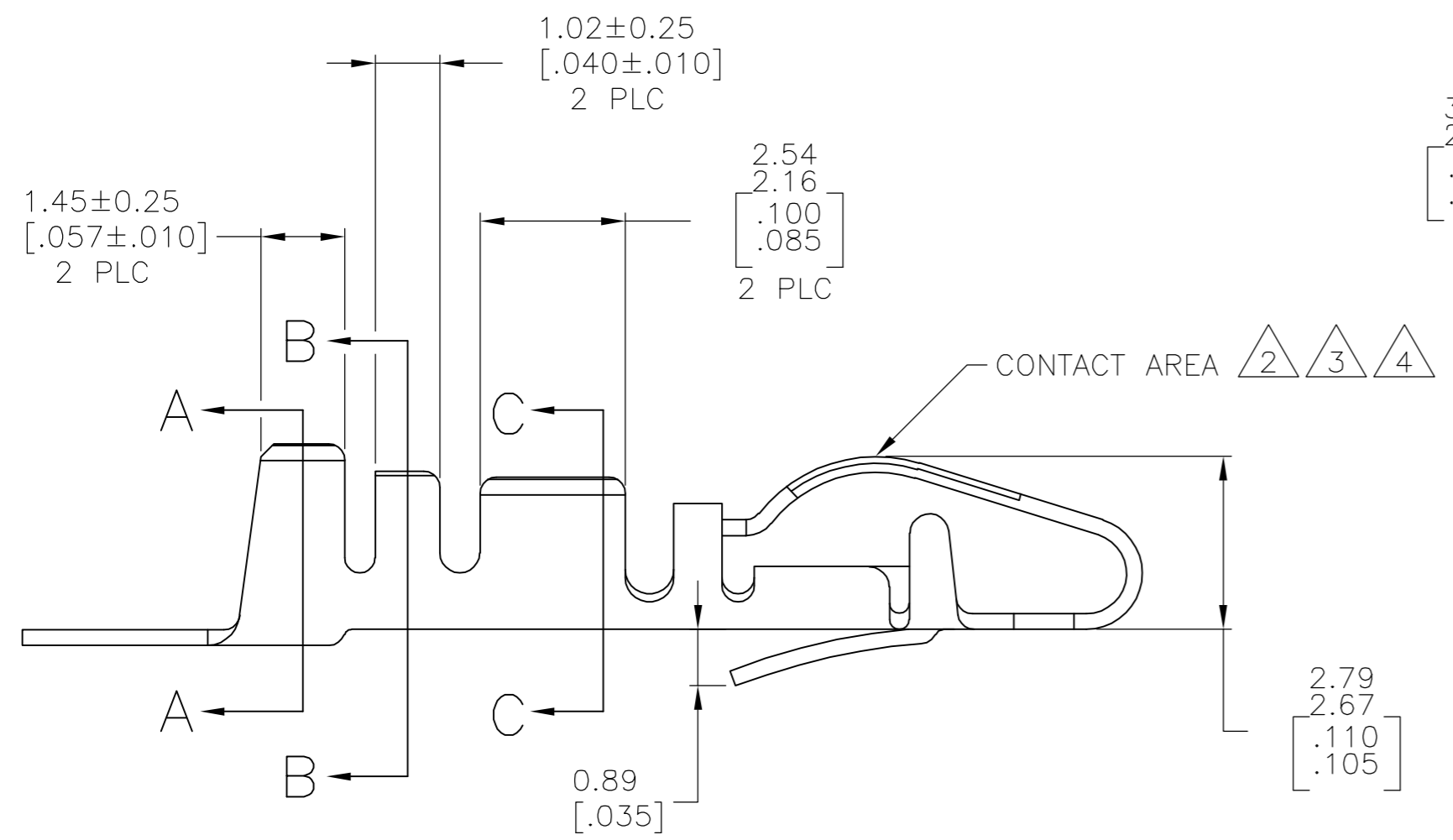
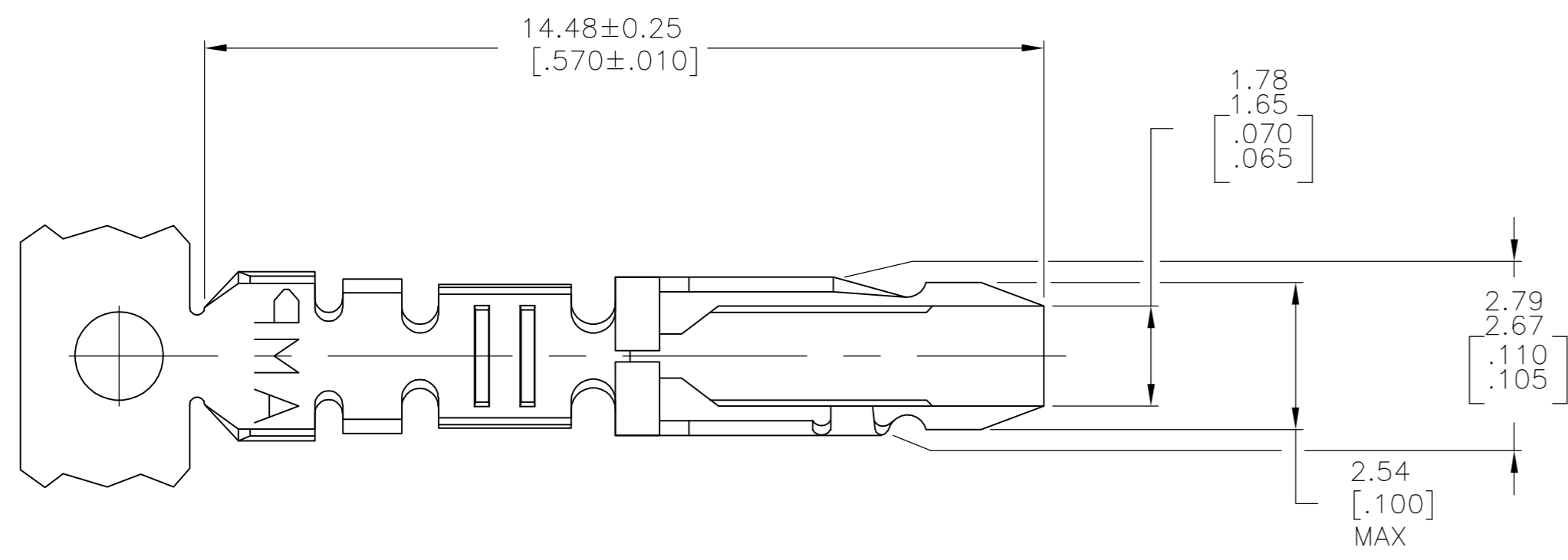


THIS DRAWING IS UNPUBLISHED. RELEASED FOR PUBLICATION
 © COPYRIGHT BY TYCO ELECTRONICS CORPORATION. ALL RIGHTS RESERVED.

LOC		DIST		REVISIONS			
P	LTR	DESCRIPTION		DATE	DWN	APVD	
AD	00	AG	ECO 05 006319	23MAY06	BSV	MK	



- 1 PHOSPHOR BRONZE.
- 2 2.54mμ[.000100] MIN TIN-LEAD OVER 1.27mμ[.000050] MIN NICKEL.
- 3 0.76mμ[.00030] MIN GOLD IN CONTACT AREA, GOLD FLASH ON REMAINDER OF CONTACT, BOTH OVER 1.27mμ[.000050] MIN NICKEL
- 4 0.38mμ[.00030] MIN GOLD IN CONTACT AREA, GOLD FLASH ON REMAINDER OF CONTACT, BOTH OVER 1.27mμ[.000050] MIN NICKEL
- 5. REVERSE REELED (LEFT TO RIGHT FEED), FOR MINI-APPLICATOR.
- 6. INSULATION RANGE: 1.40-2.03[.055-.080] DIA.
- 7 2.54mμ[.000100] MATTE TIN OVER 1.27mμ[.000050] MIN NICKEL.

7	5-583361-2
4	583361-4
3	583361-3
2	583361-2
FINISH	PART NO.

THIS DRAWING IS A CONTROLLED DOCUMENT.		DWN	28AUG97	tyco Electronics		Tyco Electronics Corporation	
DIMENSIONS: mm [INCHES]		CHK	04SEP97			Harrisburg, Pa 17105-3608	
TOLERANCES UNLESS OTHERWISE SPECIFIED:		APVD	05SEP97	NAME		CONTACT, 22-18 AWG, AMP-LEAF TM	
0 PLC ± -		PRODUCT SPEC		SIZE		RESTRICTED TO	
1 PLC ± -		APPLICATION SPEC		CAGE CODE		-	
2 PLC ± -		-		DRAWING NO		-	
3 PLC ± 0.13[.005]		-		A2 00779		-	
4 PLC ± -		-		C=42717		-	
ANGLES ± -		WEIGHT		SCALE		SHEET	
FINISH		-		10:1		1 OF 1	
SEE TABLE		CUSTOMER DRAWING		REV		AG	