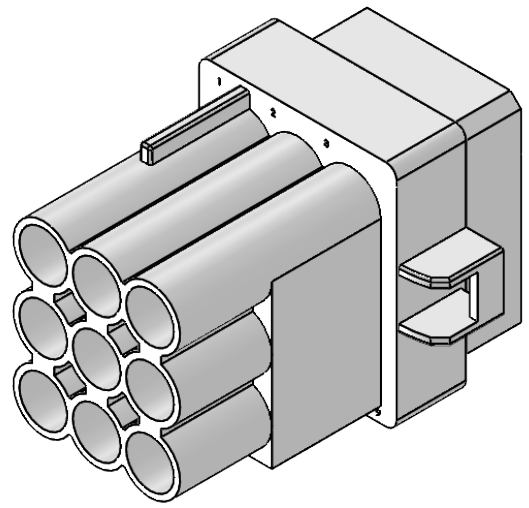
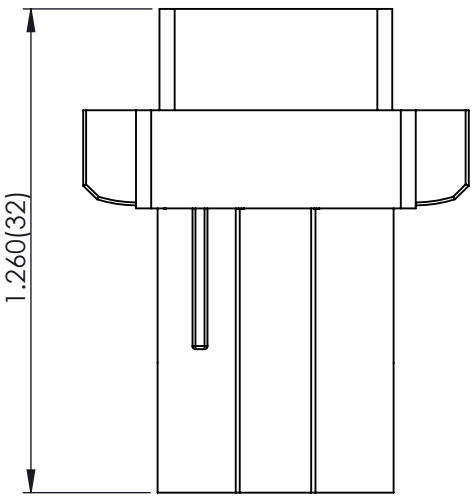


THIS IS A C.A.D. GENERATED DRAWING  
DO NOT MAKE MANUAL REVISIONS TO MASTER.

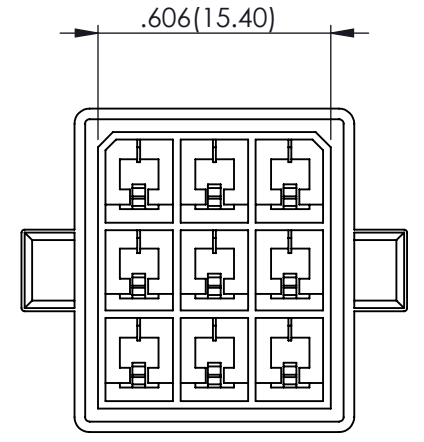
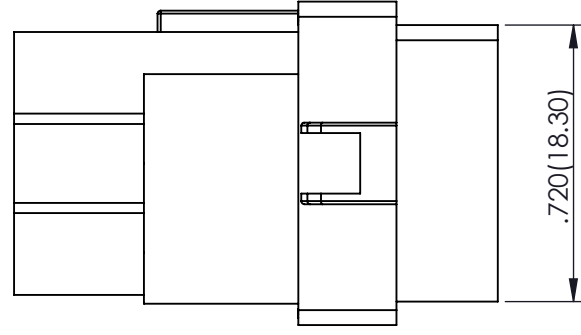
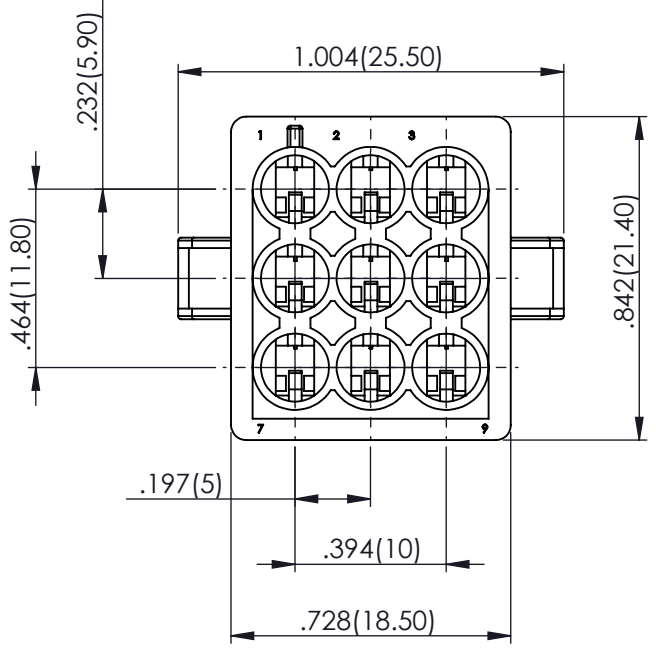


ISSUE NUMBER
ORIGINAL ①



MATERIALS:  
1. HOUSING: PBT, UL94V-0

- SPECIFICATIONS:
- PITCH: 5.0X5.9MM
  - RATED VOLTAGE: 300V
  - RATED CURRENT: 5A MAX
  - WITHSTAND VOLTAGE: AC1700V R.M.S.
  - CONTACT RESISTANCE: 10 mOHMS MAX
  - INSULATION RESISTANCE:  
1000 MOHMS MIN/DC 500V
  - TEMPERATURE RANGE: -40°C ~ +105°C
  - WATERPROOF GRADE: JIS C0920  
SPLASHPROOF



Waterproof Connector, Male Housing,  
9 Way  
567-009-000-310

ACAD REFERENCE NO.	567-009-000-310
DRAWN: R.STA.MONICA	DATE: NOV.10/10
CHECKED:	DATE:
SCALE: NOT TO SCALE	SHEET 1 OF 1

**EDAC** EDAC INC  
TORONTO, ONTARIO  
CANADA  
YOUR CONNECTION TO QUALITY & SERVICE

THESE DRAWINGS AND SPECIFICATIONS  
ARE THE PROPERTY OF EDAC INC. AND  
SHALL NOT BE REPRODUCED, OR COPIED  
OR USED AS THE BASIS FOR THE  
MANUFACTURE OR SALE OF APPARATUS  
WITHOUT WRITTEN PERMISSION.

DRAWING NUMBER	ISSUE
567-009-000-310	1



THIS SERIES FULLY CONFORMS TO THE  
EUROPEAN UNION DIRECTIVES 2002/95/EC  
AND 2002/96/EC FOR RoHS COMPLIANCY