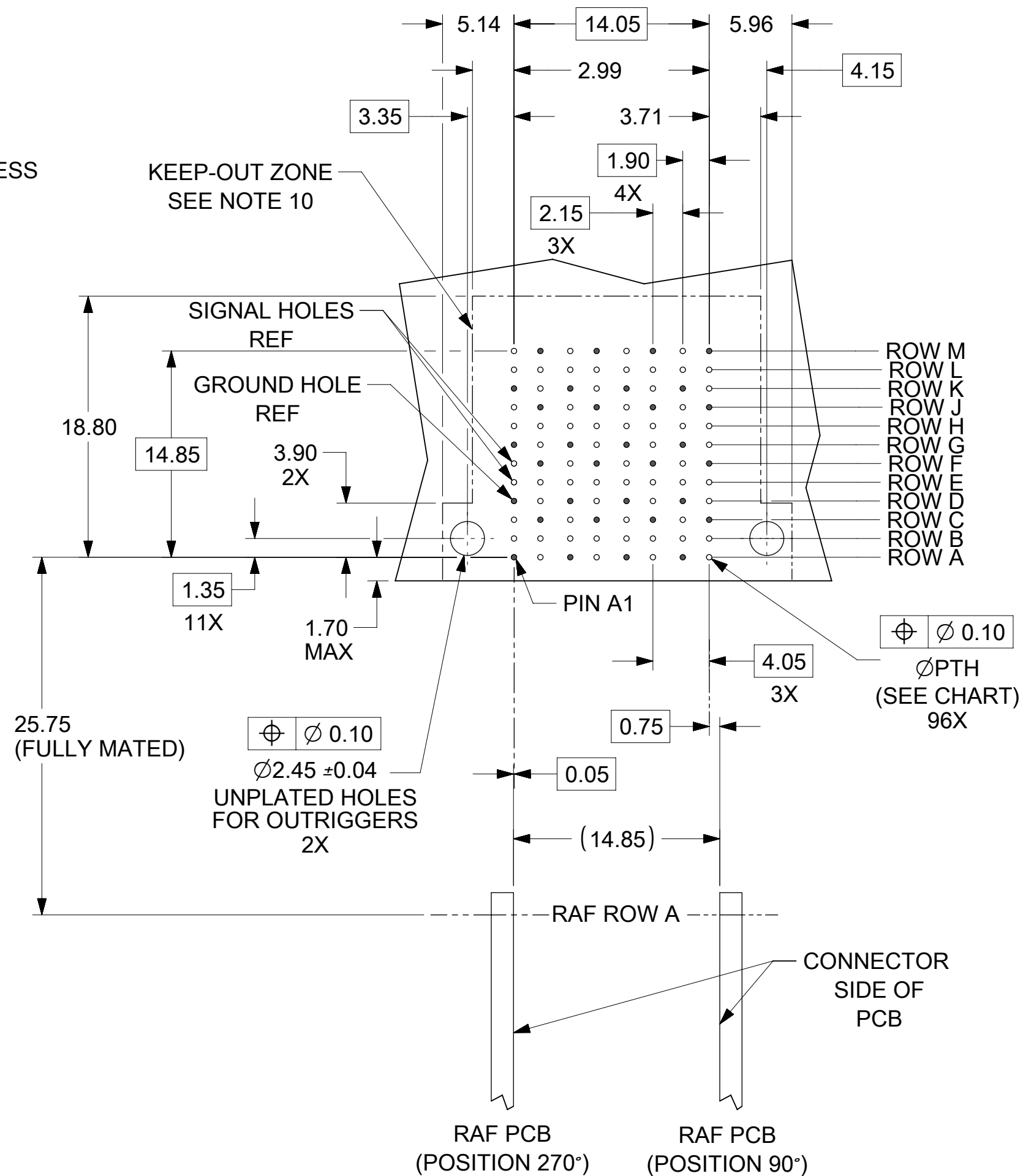
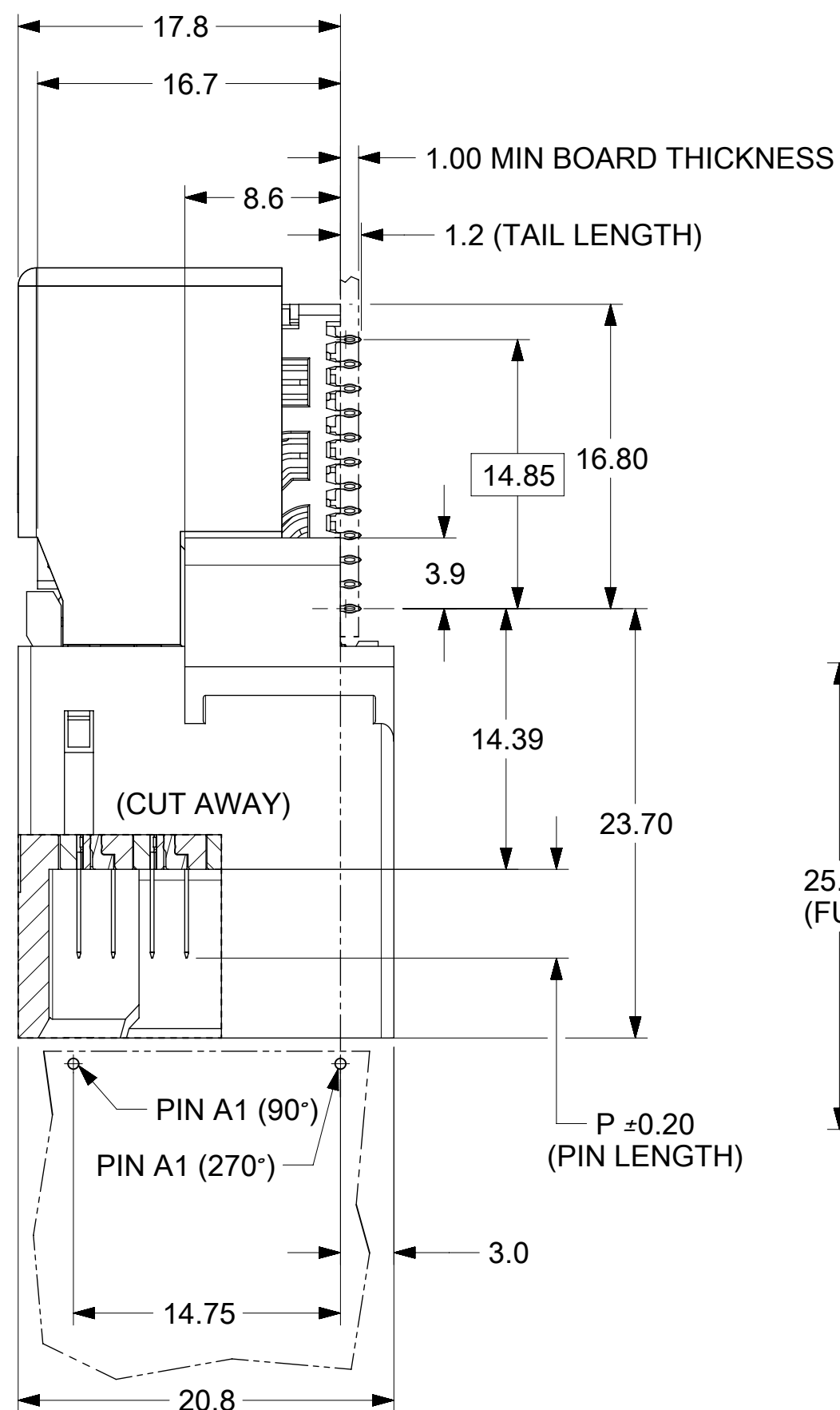
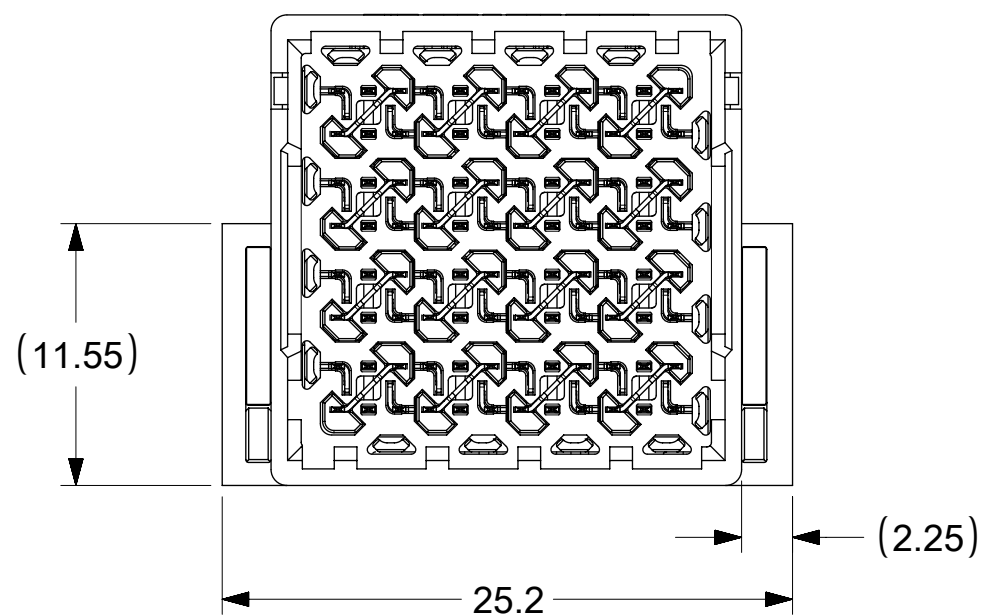
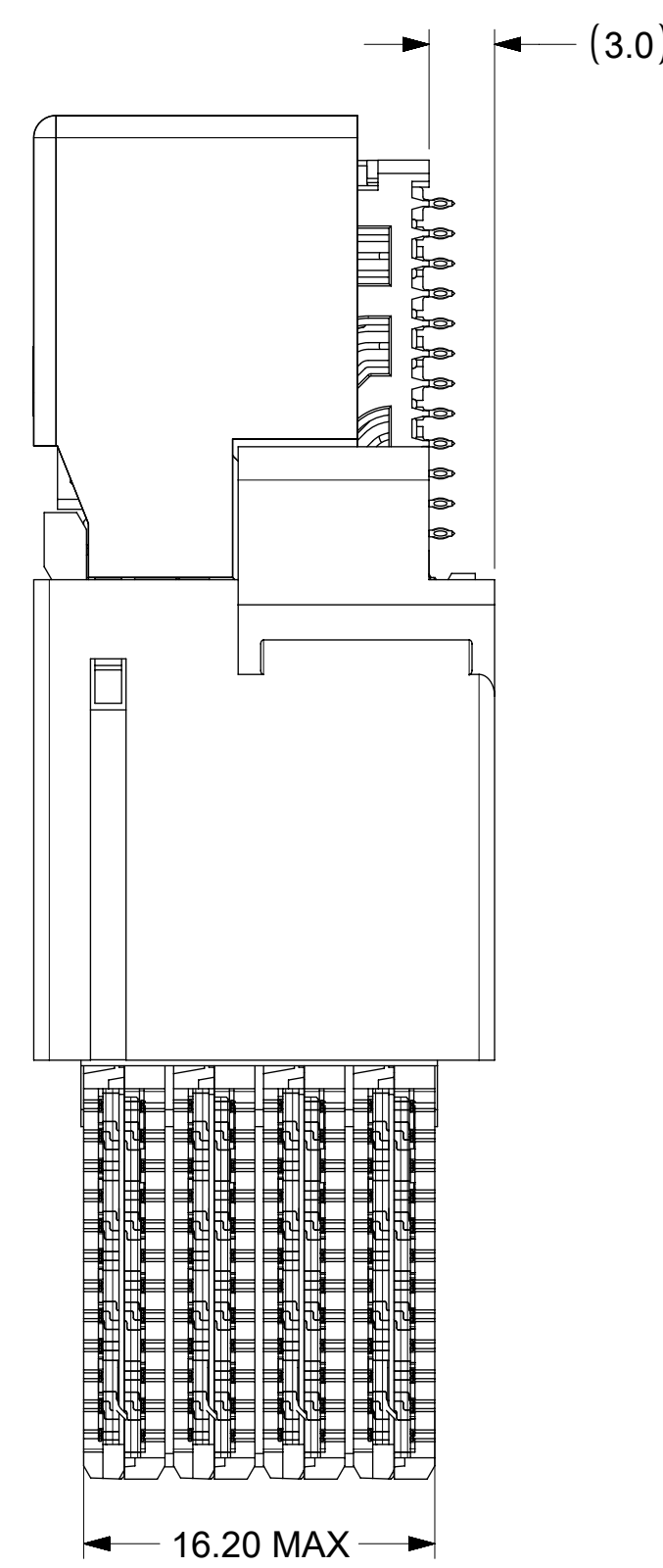
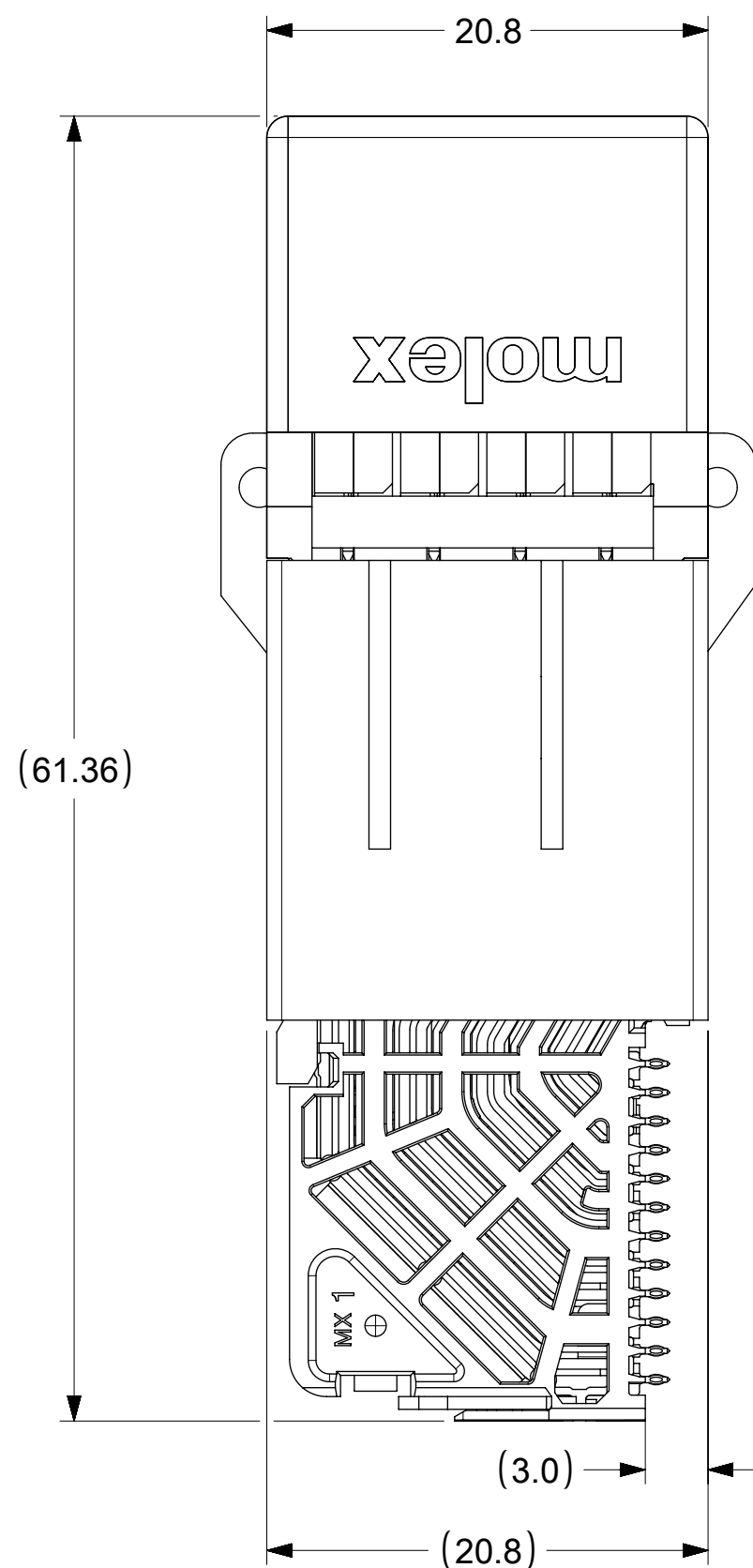


SEE NOTE 11



OD-RAM HOLE PATTERN (CONNECTOR SIDE)

THIS DRAWING CONTAINS INFORMATION THAT IS PROPRIETARY TO MOLEX ELECTRONIC TECHNOLOGIES, LLC AND SHOULD NOT BE USED WITHOUT WRITTEN PERMISSION																			
DIMENSION UNITS		SCALE		CURRENT REV DESC: MIGRATED TO NX															
mm		NTS		<p>IMPACT ORTHOGONAL DIRECT 4 PAIR RAM 90 & 270 ASSY UNGUIDE SALES DRAWING</p> <p>PRODUCT CUSTOMER DRAWING</p> <table border="1"> <tr> <td>DOCUMENT NUMBER</td> <td>DOC TYPE</td> <td>DOC PART</td> <td>REVISION</td> </tr> <tr> <td>SD-171574-0001</td> <td>PSD</td> <td>001</td> <td>B3</td> </tr> </table>								DOCUMENT NUMBER	DOC TYPE	DOC PART	REVISION	SD-171574-0001	PSD	001	B3
DOCUMENT NUMBER	DOC TYPE	DOC PART	REVISION																
SD-171574-0001	PSD	001	B3																
GENERAL TOLERANCES (UNLESS SPECIFIED)																			
ANGULAR TOL ± 0.5°																			
4 PLACES ±																			
3 PLACES ±																			
2 PLACES ± 0.13																			
1 PLACE ± 0.25																			
0 PLACES ±																			
DRAFT WHERE APPLICABLE MUST REMAIN WITHIN DIMENSIONS				THIRD ANGLE PROJECTION		DRAWING		SERIES		MATERIAL NUMBER									
		C-SIZE		171574		SEE CHART		GENERAL MARKET		SHEET NUMBER									
										1 OF 4									



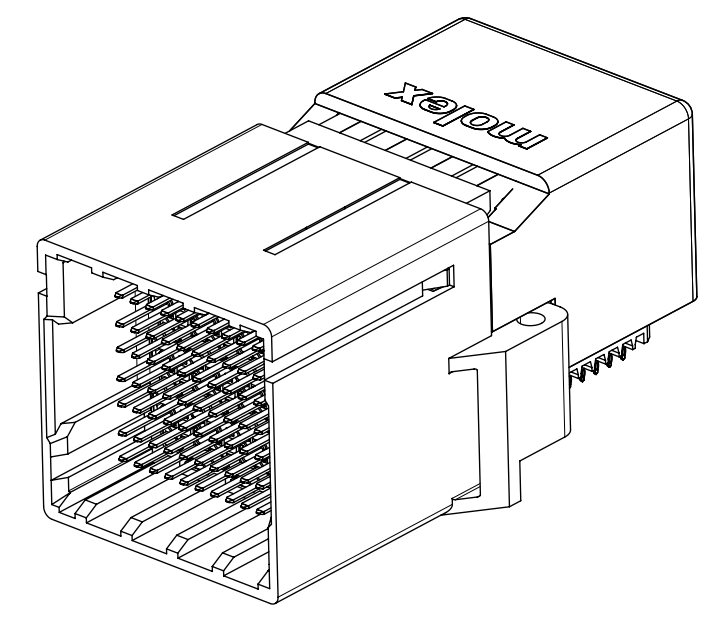
171574-18**

MODULE TYPE
1 = UNGUIDED, TIN

OF COLUMNS
8 = 8 COLUMN

PIN LENGTH (P)
4 = 4.90 (0.46 PTH)
5 = 5.50 (0.46 PTH)
7 = 4.90 (0.39 PTH)
8 = 5.50 (0.39 PTH)

MATE POSITION
1 = 90 DEGREE
3 = 270 DEGREE

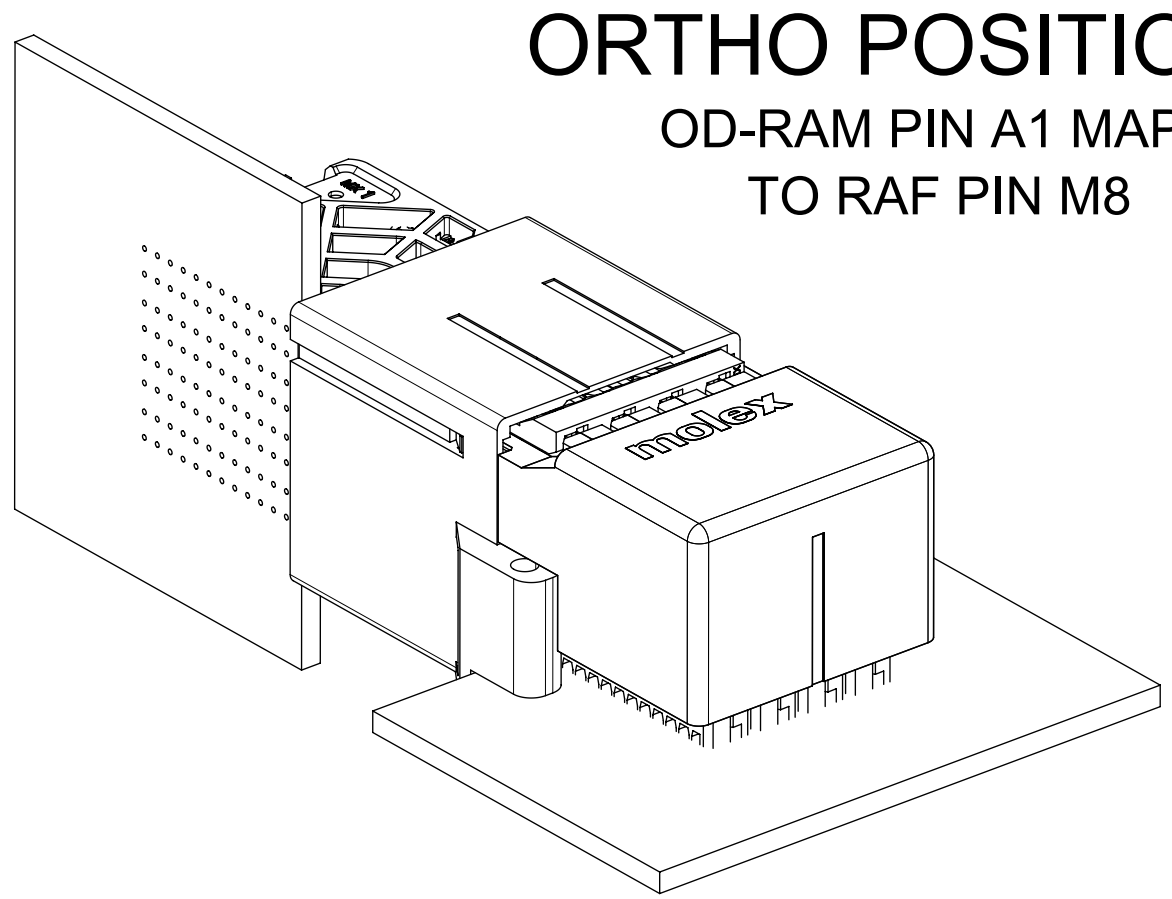


MATED DIMENSIONS
(POSITION 90° SHOWN)

- NOTES:**
1. MATERIALS: HOUSING - LIQUID CRYSTAL POLYMER (LCP)
GLASS-FILLED, UL94V-0
TERMINALS - HIGH PERFORMANCE COPPER ALLOY
 2. FINISH: 30μ MIN GOLD IN CONTACT AREA.
SELECTIVE TIN ON PCB TAILS.
NICKEL OVERALL.
 3. REFER TO MOLEX PRODUCT SPECIFICATION PS-76060-999
FOR PERFORMANCE SPECIFICATIONS AND ADDITIONAL PCB INFORMATION.
 4. THIS PART CONFORMS TO CLASS B REQUIREMENTS OF
COSMETIC SPEC PS-45499-002.
 5. PACKAGE PER: PK-70873-8020.
 6. SEE SHEET 3 FOR ORTHOGONAL PIN MAPPING.
 7. REFER TO MOLEX SALES DRAWING SD-76850-001 FOR THE MATING RECEPTACLES.
 8. REFER TO MOLEX ROUTING GUIDE AS-76850-990 FOR ADDITIONAL PCB LAYOUT
AND ROUTING RECOMMENDATIONS.
 9. CONNECTORS ARE SUPPLIED WITH TWO 2-32 THREAD FORMING
SCREWS.
 10. THESE DIMENSIONS REPRESENT THE AREA NEEDED TO ACCOMODATE CONNECTOR
INSERTION AND REPAIR ON THE PC BOARD. THIS IS REFERED TO AS THE
"CONNECTOR KEEP OUT ZONE" AND DOES NOT REPRESENT THE ACTUAL PERIMETER
OF THE CONNECTOR.
 11. MARKING: LOCATED APPROXIMATELY AS SHOWN, ON BOTTOM OR TOP HOUSING.
PART NUMBER AND DATE CODE.

THIS DRAWING CONTAINS INFORMATION THAT IS PROPRIETARY TO MOLEX ELECTRONIC TECHNOLOGIES, LLC AND SHOULD NOT BE USED WITHOUT WRITTEN PERMISSION									
DIMENSION UNITS		SCALE		CURRENT REV DESC: MIGRATED TO NX				molex	
mm		NTS							
GENERAL TOLERANCES (UNLESS SPECIFIED)				EC NO: 610105				IMPACT ORTHOGONAL DIRECT 4 PAIR RAM 90 & 270 ASSY UNGUIDE SALES DRAWING	
ANGULAR TOL ± 0.5°				DRWN: SKRISHNAMURT 2018/09/03					
4 PLACES ±				CHK'D: ABN 2019/01/09				PRODUCT CUSTOMER DRAWING	
3 PLACES ±				APPR: SHONG 2019/01/29					
2 PLACES ± 0.13				INITIAL REVISION:				DOCUMENT NUMBER	
1 PLACE ± 0.25				DRWN: JMENDOZA 2012/10/23					
0 PLACES ±				APPR: TELO 2013/12/26				SD-171574-0001	
DRAFT WHERE APPLICABLE MUST REMAIN WITHIN DIMENSIONS		THIRD ANGLE PROJECTION		DRAWING		SERIES		MATERIAL NUMBER	
				C-SIZE		171574		SEE CHART	
								CUSTOMER	
								GENERAL MARKET	
								SHEET NUMBER	
								2 OF 4	

DOCUMENT STATUS	P1	RELEASE DATE	2019/01/29	16:34:26
-----------------	----	--------------	------------	----------



ORTHO POSITION 90°
 OD-RAM PIN A1 MAPS
 TO RAF PIN M8

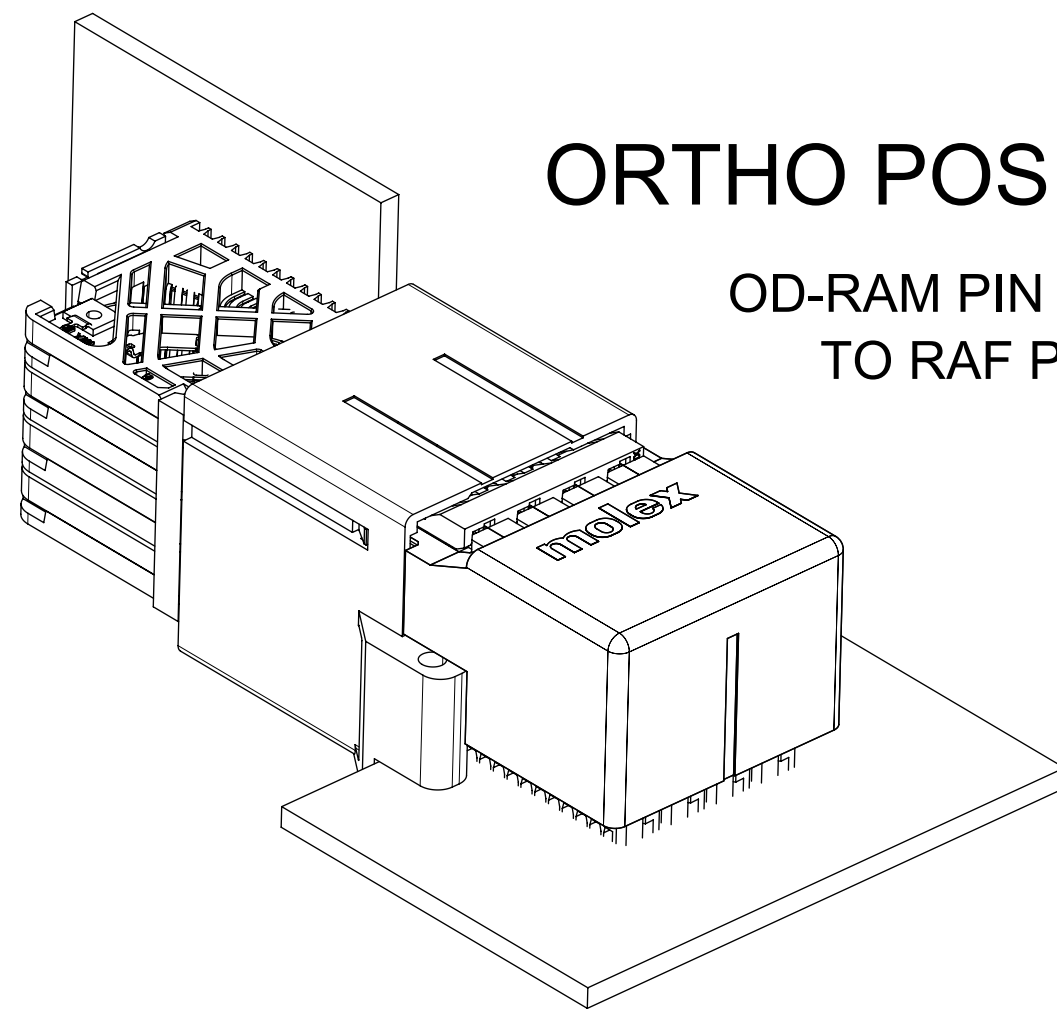
ORTHO PIN MAPPING							
POSITION 90° (OD RAM - RAF)							
A1-M8	A2-L8	A3-J8	A4-H8	A5-F8	A6-E8	A7-C8	A8-B8
B1-M7	B2-K8	B3-J7	B4-G8	B5-F7	B6-D8	B7-C7	B8-A8
C1-L7	C2-K7	C3-H7	C4-G7	C5-E7	C6-D7	C7-B7	C8-A7
D1-M6	D2-L6	D3-J6	D4-H6	D5-F6	D6-E6	D7-C6	D8-B6
E1-M5	E2-K6	E3-J5	E4-G6	E5-F5	E6-D6	E7-C5	E8-A6
F1-L5	F2-K5	F3-H5	F4-G5	F5-E5	F6-D5	F7-B5	F8-A5
G1-M4	G2-L4	G3-J4	G4-H4	G5-F4	G6-E4	G7-C4	G8-B4
H1-M3	H2-K4	H3-J3	H4-G4	H5-F3	H6-D4	H7-C3	H8-A4
J1-L3	J2-K3	J3-H3	J4-G3	J5-E3	J6-D3	J7-B3	J8-A3
K1-M2	K2-L2	K3-J2	K4-H2	K5-F2	K6-E2	K7-C2	K8-B2
L1-M1	L2-K2	L3-J1	L4-G2	L5-F1	L6-D2	L7-C1	L8-A2
M1-L1	M2-K1	M3-H1	M4-G1	M5-E1	M6-D1	M7-B1	M8-A1

NOTE: PINOUTS SHOWN IN BALLOONS ARE GROUNDS.
 GROUND PATHS ARE NOT DISCRETE CIRCUITS.

MATERIAL NUMBER	# OF COLUMNS	# OF DIFF PAIR	MATE POSITION	DIM P	PTH Ø
171574-1814	8	32	90	4.90	0.46±0.05
171574-1815	8	32	90	5.50	0.46±0.05
171574-1817	8	32	90	4.90	0.39±0.05
171574-1818	8	32	90	5.50	0.39±0.05

THIS DRAWING CONTAINS INFORMATION THAT IS PROPRIETARY TO MOLEX ELECTRONIC TECHNOLOGIES, LLC AND SHOULD NOT BE USED WITHOUT WRITTEN PERMISSION

DIMENSION UNITS	SCALE	CURRENT REV DESC: MIGRATED TO NX				
mm	NTS					
GENERAL TOLERANCES (UNLESS SPECIFIED)		EC NO: 610105		IMPACT ORTHOGONAL DIRECT 4 PAIR RAM 90 & 270 ASSY UNGUIDE SALES DRAWING PRODUCT CUSTOMER DRAWING		
ANGULAR TOL	± 0.5°	DRWN: SKRISHNAMURT 2018/09/03				
4 PLACES	±	CHK'D: ABN 2019/01/09				
3 PLACES	±	APPR: SHONG 2019/01/29		DOCUMENT NUMBER SD-171574-0001		
2 PLACES	± 0.13	INITIAL REVISION:				
1 PLACE	± 0.25	DRWN: JMENDOZA 2012/10/23		PSD	001	B3
0 PLACES	±	APPR: TELO 2013/12/26		MATERIAL NUMBER SEE CHART		
DRAFT WHERE APPLICABLE MUST REMAIN WITHIN DIMENSIONS		THIRD ANGLE PROJECTION	DRAWING			
			C-SIZE	SERIES	GENERAL MARKET	3 OF 4
				171574		



ORTHO POSITION 270°

OD-RAM PIN A1 MAPS
TO RAF PIN A1

ORTHO PIN MAPPING

POSITION 270° (OD RAM - RAF)

A1-A1	A2-B1	A3-D1	A4-E1	A5-G1	A6-H1	A7-K1	A8-L1
B1-A2	B2-C1	B3-D2	B4-F1	B5-G2	B6-J1	B7-K2	B8-M1
C1-B2	C2-C2	C3-E2	C4-F2	C5-H2	C6-J2	C7-L2	C8-M2
D1-A3	D2-B3	D3-D3	D4-E3	D5-G3	D6-H3	D7-K3	D8-L3
E1-A4	E2-C3	E3-D4	E4-F3	E5-G4	E6-J3	E7-K4	E8-M3
F1-B4	F2-C4	F3-E4	F4-F4	F5-H4	F6-J4	F7-L4	F8-M4
G1-A5	G2-B5	G3-D5	G4-E5	G5-G5	G6-H5	G7-K5	G8-L5
H1-A6	H2-C5	H3-D6	H4-F5	H5-G6	H6-J5	H7-K6	H8-M5
J1-B6	J2-C6	J3-E6	J4-F6	J5-H6	J6-J6	J7-L6	J8-M6
K1-A7	K2-B7	K3-D7	K4-E7	K5-G7	K6-H7	K7-K7	K8-L7
L1-A8	L2-C7	L3-D8	L4-F7	L5-G8	L6-J7	L7-K8	L8-M7
M1-B8	M2-C8	M3-E8	M4-F8	M5-H8	M6-J8	M7-L8	M8-M8

NOTE: PINOUTS SHOWN IN BALLOONS ARE GROUNDS.
GROUND PATHS ARE NOT DISCRETE CIRCUITS.

MATERIAL NUMBER	# OF COLUMNS	# OF DIFF PAIR	MATE POSITION	DIM P	PTH Ø
171574-1834	8	32	270	4.90	0.46±0.05
171574-1835	8	32	270	5.50	0.46±0.05
171574-1837	8	32	270	4.90	0.39±0.05
171574-1838	8	32	270	5.50	0.39±0.05

THIS DRAWING CONTAINS INFORMATION THAT IS PROPRIETARY TO MOLEX ELECTRONIC TECHNOLOGIES, LLC AND SHOULD NOT BE USED WITHOUT WRITTEN PERMISSION

DIMENSION UNITS	SCALE	CURRENT REV DESC: MIGRATED TO NX					
mm	NTS						
GENERAL TOLERANCES (UNLESS SPECIFIED)		EC NO: 610105		IMPACT ORTHOGONAL DIRECT 4 PAIR RAM 90 & 270 ASSY UNGUIDE SALES DRAWING			
ANGULAR TOL	± 0.5°	DRWN: SKRISHNAMURT 2018/09/03					
4 PLACES	±	CHK'D: ABN 2019/01/09					
3 PLACES	±	APPR: SHONG 2019/01/29		PRODUCT CUSTOMER DRAWING			
2 PLACES	± 0.13	INITIAL REVISION:					
1 PLACE	± 0.25	DRWN: JMENDOZA 2012/10/23		DOCUMENT NUMBER	DOC TYPE	DOC PART	REVISION
0 PLACES	±	APPR: TELO 2013/12/26		SD-171574-0001	PSD	001	B3
DRAFT WHERE APPLICABLE MUST REMAIN WITHIN DIMENSIONS		THIRD ANGLE PROJECTION	DRAWING	SERIES	MATERIAL NUMBER	CUSTOMER	SHEET NUMBER
			C-SIZE	171574	SEE CHART	GENERAL MARKET	4 OF 4