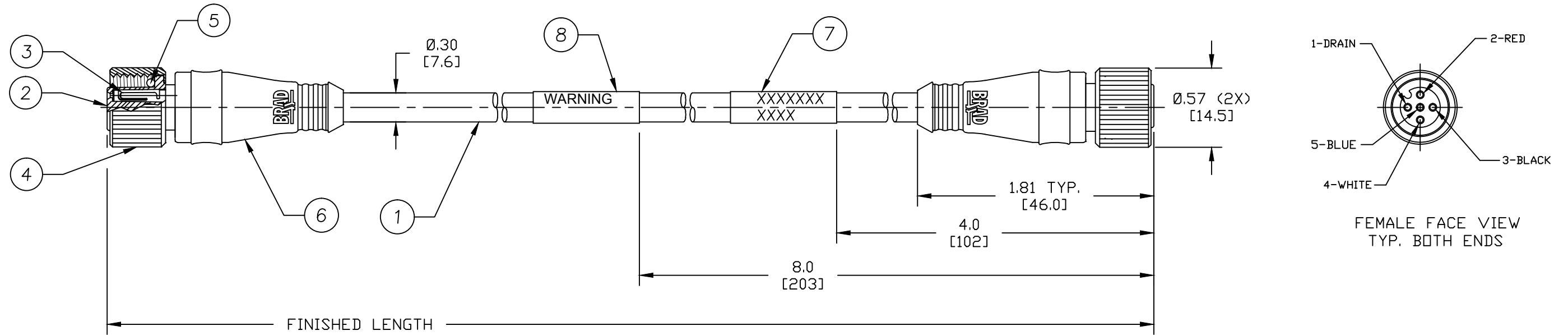


PART NO.	ENGINEERING NO.	FINISHED LENGTH
1300280011	885010D12M0043A	0.4M+44.5mm-0 [1'4"+1.75-0]



- NOTES:
1. MATERIAL: AS NOTED
 2. FINISH: AS NOTED
 3. ELECTRICAL:
VOLTAGE: 250VAC/DC
CURRENT: 4A
 4. TEMP RATING: -20°TO +70°C
 5. PROTECTION: IP67 (WHEN MATED)
 6. COUPLING THREAD: M12 X 1
 7. ALL DIMS ARE FOR REFERENCE
UNLESS NOTED OTHERWISE

WARNING LABEL DETAIL

WARNING: WARNING: WARNING:
TO REDUCE THE RISK OF ELECTRICAL SHOCK, DO NOT
CONNECT OR DISCONNECT WHILE POWER IS APPLIED.
ALWAYS DISCONNECT FROM CIRCUIT BEFORE SERVICING

8	WARNING LABEL	VINYL	BLACK/YELLOW
7	WRAP LABEL	VINYL	BLACK/YELLOW
6	OVERMOLD	PVC	GRAY
5	O-RING	NITRILE	RED
4	COUPLING NUT	ZINC DIE-CAST	BLACK
3	CONTACT SOCKET	COPPER ALLOY	GOLD PLATED
2	FEMALE INSERT, 4P	NYLON	BLACK
1	CABLE, DEV-NET, THIN	TPE JACKET	GRAY
ITEM	DESCRIPTION	MATERIAL	FINISH

RELEASED EC NO: IPG2019-0079 DRWN: RSTONE 2018/08/20 CHKD: C CHRAST 2018/08/23 APPR: BWOODMAN 2018/08/27	DESCRIPTION REV	QUALITY SYMBOLS ▽=0 ▽C=0	GENERAL TOLERANCES (UNLESS SPECIFIED)		DIMENSION STYLE INCH/MM		SCALE ---	DESIGN UNITS INCH	THIRD ANGLE PROJECTION	
			mm	INCH	DRAWN BY RSTONE	DATE 2018/08/20	TITLE MIC M12 DEVICE NET FEMALE/FEMALE			
4 PLACES ±---			3 PLACES ±---		2 PLACES ±---		1 PLACE ±---		ANGULAR ±---°	
DRAFT WHERE APPLICABLE MUST REMAIN WITHIN DIMENSIONS			SEE P/N CHART		MATERIAL NO.		DOCUMENT NO.		SHEET NO.	
A			B		THIS DRAWING CONTAINS INFORMATION THAT IS PROPRIETARY TO MOLEX INCORPORATED AND SHOULD NOT BE USED WITHOUT WRITTEN PERMISSION		SD-130028-013		1 OF 1	