

FACE VIEW

Pin	Wire color
1	BROWN
2	-
3	BLUE
4	BLACK

FACE VIEW

Pin	Wire color
1	BROWN
2	WHITE
3	BLUE
4	BLACK

FACE VIEW

Pin	Wire color
1	BROWN
2	WHITE
3	BLUE
4	BLACK
5	GRAY

FACE VIEW

Pin	Wire color
1	WHITE
2	BROWN
3	GREEN
4	YELLOW
5	GRAY
6	PINK
7	BLUE
8	RED

PART NO.	ENGINEERING NO	L[mm]	POLE	RECEPTACLE MAT.
1200110027	8R4J36E03C0803	80	4	BRASS/NI PLATE
1200700156	8R4J36E03C3003	300	4	BRASS/NI PLATE
1200110194	8R5J36E03C5003	500	5	BRASS/NI PLATE
1200700231	8R5J36E03C3003	300	5	BRASS/NI PLATE
1200110309	8R8J36E03C5003	500	8	BRASS/NI PLATE

CABLE LENGTH TOLERANCES

>.3M [1FT]: +19mm-0 [+1.75in-0]

.3 - .9M [1 - 3FT]: +44.5mm-0 [+1.75in-0]

.9 - 1.8M [3 - 6FT]: +55.6mm-0 [+2.19in-0]

1.8 - 3.7M [6 - 12FT]: +88.9mm-0 [+3.50in-0]

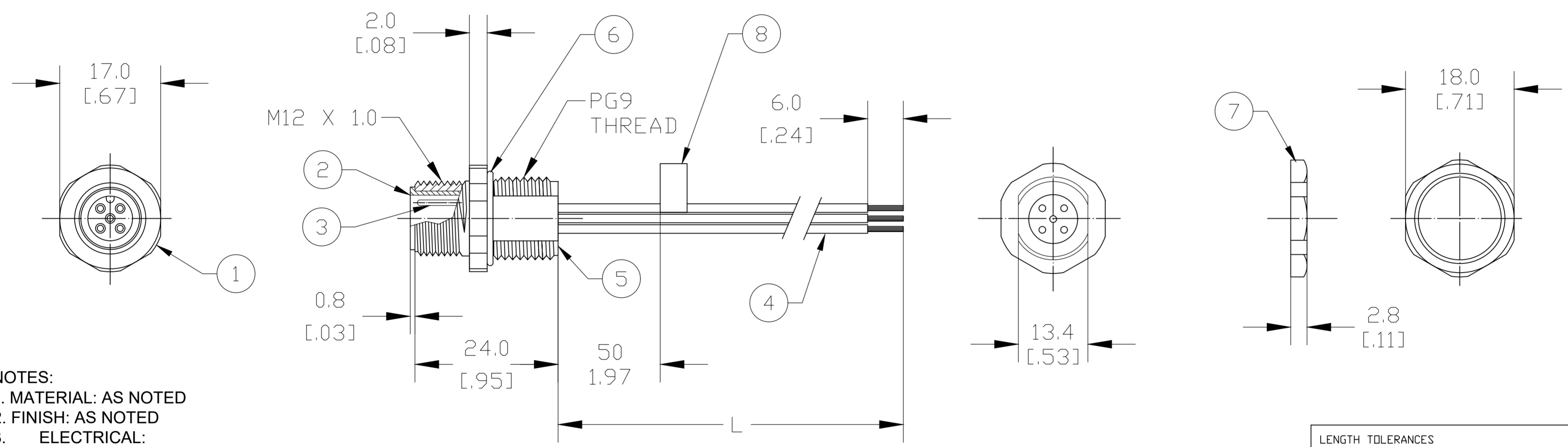
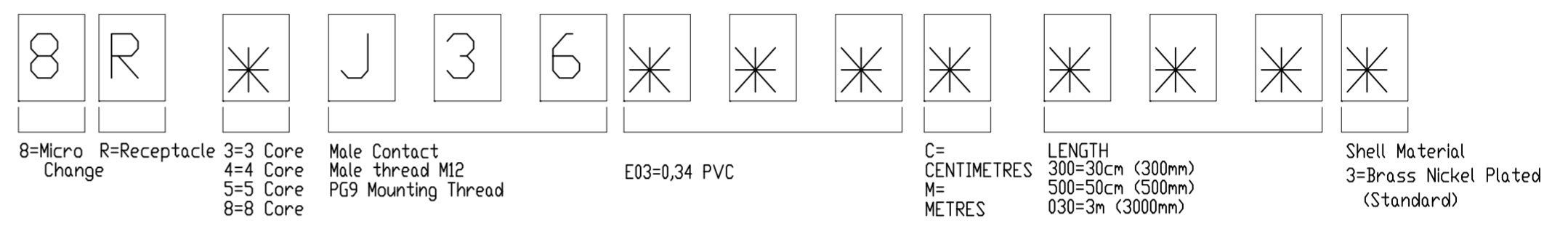
3.7 - 7.3M [12 - 24FT]: +165.1mm-0 [+6.50in-0]

7.3-14.6M [24 - 48FT]: +317.5mm-0 [+12.50in-0]

14.6 - 30.5M [48-100FT]: +622.3mm-0 [+24.50in-0]

OVER 30M [100FT] +2% OF FINISHED LENGTH

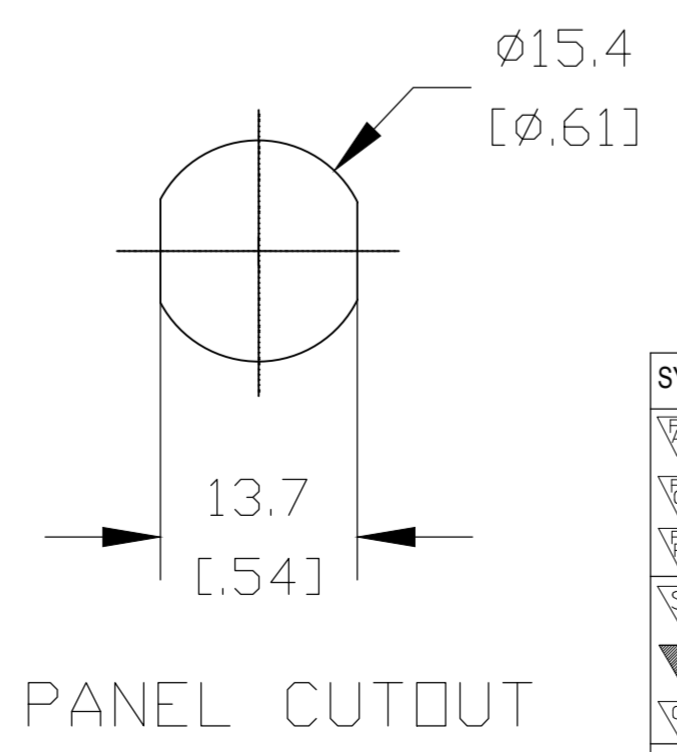
PART No MATRIX



- NOTES:**
1. MATERIAL: AS NOTED
 2. FINISH: AS NOTED
 3. ELECTRICAL:
VOLTAGE: 250V (3, 4 & 5 POLE)
CURRENT: 4A
VOLTAGE: 30VAC/36VDC (8 POLE)
CURRENT: 2A
 4. TEMP RATING: -20°C TO +105°C
 5. PROTECTION: IP67 (WHEN MATED)
 6. ALL DIMS ARE FOR REFERENCE UNLESS TOLERANCED OR NOTED OTHERWISE

LENGTH TOLERANCES

Over	Up to and including	Tolerance
0	305	+19
305	915	+45
915	1830	+56
1830	3660	+89
3660	7320	+165
7320	14640	+317
14640	30500	+610
30500	>	+2% of L



ITEM	DESCRIPTION	MATERIAL	FINISH
8	FLAG LABEL	VINYL	BLACK/YELLOW
7	PANEL NUT PG-9	BRASS	NICKEL PLATED
6	O-RING	NITRILE	BLACK
5	POTTING MATERIAL	PUR	
4	WIRE 22AWG (UL1569)	PVC INSULATION	SEE FACE VIEWS
3	CONTACT PIN	COPPER ALLOY	GOLD PLATED
2	MALE INSERT	PUR	BLACK
1	RECEPTACLE SHELL	BRASS	NICKEL PLATED

THIS DRAWING CONTAINS INFORMATION THAT IS PROPRIETARY TO MOLEX ELECTRONIC TECHNOLOGIES, LLC AND SHOULD NOT BE USED WITHOUT WRITTEN PERMISSION

SYMBOLS

▽ = 0	4 PLACES	±----	±----
▽ = 0	3 PLACES	±----	±----
▽ = 0	2 PLACES	±----	±----
▽ = 0	1 PLACE	±----	±----
▽ = 0	0 PLACES	±----	±----

ANGULAR TOL ± ---- °

DRAFT WHERE APPLICABLE MUST REMAIN WITHIN DIMENSIONS

THIRD ANGLE PROJECTION

DRAWING SERIES: C-SIZE 120011

EC NO: 629880

DRWN: RSTONE 2019/12/18

CHK'D: MZIELINSKI 2020/01/06

APPR: BWOODMAN 2020/01/14

INITIAL REVISION:

DRWN: RSTONE 2019/12/18

APPR: BWOODMAN 2020/01/14

molex

MICRO-CHANGE RECEPTACLE

M12, 3,4,5 & 8P, 0.34MM² (22AWG), PG9

PRODUCT CUSTOMER DRAWING

DOCUMENT NUMBER: 1200110027

DOC TYPE: PSD

DOC PART: 000

REVISION: A

MATERIAL NUMBER: SEE P/N CHART

CUSTOMER: ----

SHEET NUMBER: 1 OF 1