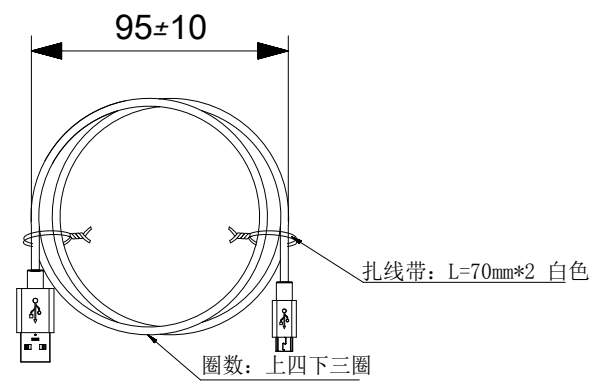
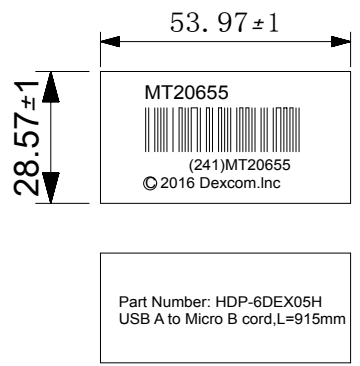


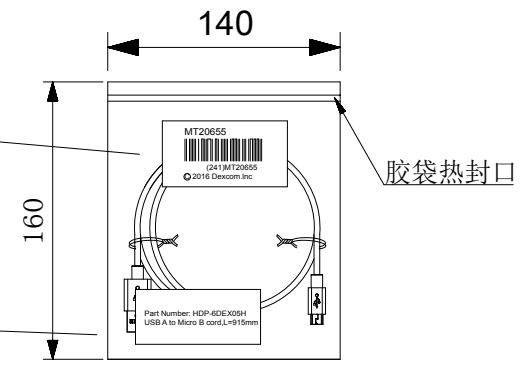
REVISIONS				
EC NO	DATE	REV	DESCRIPTION	CHANGER
NA	2019/09/20	C	UPDATED THE PACKAGING DRAWING	DLI50



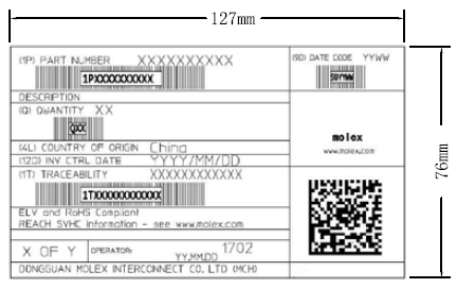
1. 绕扎线图示



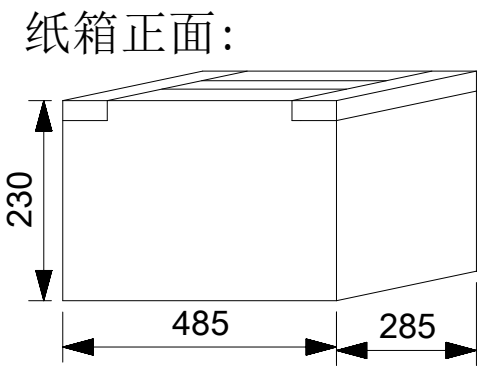
- Label:
1. Label material, dimensions: 1.125" \* 2.125", Landscape. White, Unprinted or equivalent.
  2. Ink: Thermal Transfer Ribbon, Wax-Resin or equivalent.
  3. Printing/printer: thermal transfer, Zebra 105 SL or equivalent.
  4. Bar Code format: GSL-128, if can't do that then Code 128.



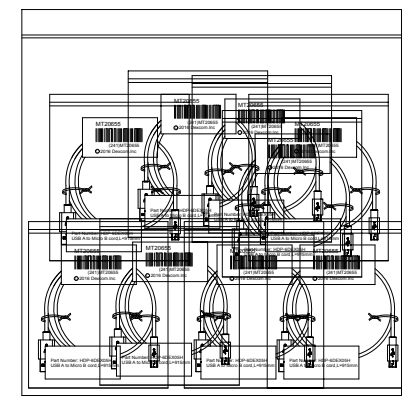
2. 装封PE袋图示



外箱标签依客人提供内容执行印刷.



4. 5中袋装一箱.



3. 50PCS装封1中PE袋

- 说明:
1. 产品单PCS PE袋包装.
  2. 然后每50PCS装一中袋.
  3. 每箱装5中袋 (250PCS) 产品.

<b>SYMBOLS</b> DIMENSION UNITS: mm SCALE: 1:1 CURRENT REV DESC: GENERAL TOLERANCES (UNLESS SPECIFIED) ANGULAR TOL ± ° 4 PLACES ± 3 PLACES ± 2 PLACES ± 1 PLACE ± 0 PLACES ± DRAFT WHERE APPLICABLE MUST REMAIN WITHIN DIMENSIONS THIRD ANGLE PROJECTION DRAWING: A4-SIZE SERIES: 68768 MATERIAL NUMBER: 687680398 CUSTOMER:	THIS DRAWING CONTAINS INFORMATION THAT IS PROPRIETARY TO MOLEX ELECTRONIC TECHNOLOGIES, LLC AND SHOULD NOT BE USED WITHOUT WRITTEN PERMISSION EC NO: 624446 DRWN: ZYLI02 2019/09/20 CHK'D: ZYLI02 2019/09/23 APPR: CLAN01 2019/09/24 INITIAL REVISION: DRWN: DLI50 2018/12/21 APPR: CLAN01 2018/12/21		<b>molex</b> USB2.0 CABLE L=1M PACKAGING DESIGN DRAWING		
	DOCUMENT NUMBER: 687680398		DOC TYPE: PDD	DOC PART: PK	REVISION: C
	SHEET NUMBER: 1 OF 1				