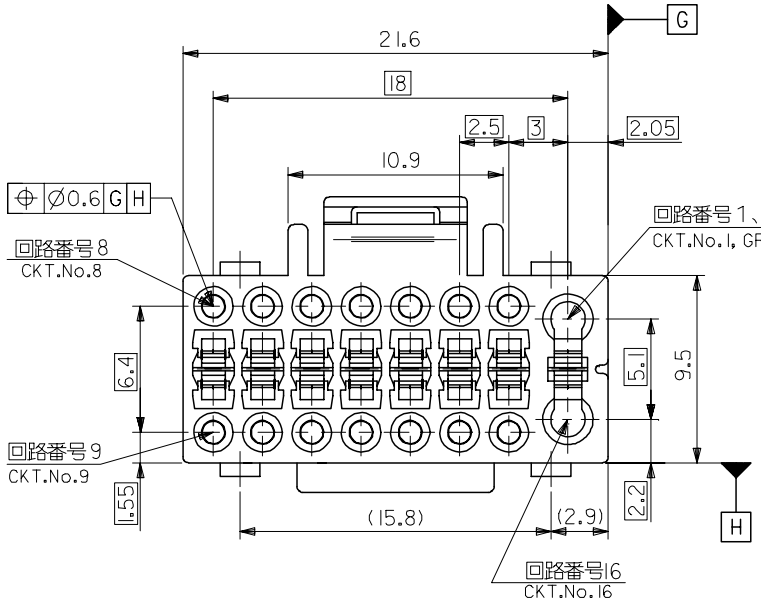


注記  
NOTES

- 適合ターミナル: 50350-9\*01, 50535-9\*01  
ACCEPTABLE TERMINAL: 50350-9\*01, 50535-9\*01
- 嵌合相手: 53526-\*\*\*1\*  
MATES WITH: 53526-\*\*\*1\*



51128-1601	16
ENG. NO.	極数 No. Of CKTS.

REVISED EC NO: J2006-0424 DR: W. HAJI MA 2005/11/07 CHK: D. UKITA 2005/11/07 APP: R. NUKITA 2005/11/11	GENERAL TOLERANCES (UNLESS SPECIFIED)		DIMENSION STYLE MM ONLY	SCALE 4:1	DESIGN UNITS METRIC	THIRD ANGLE PROJECTION	
	10 UNDER	± 0.2	DRAWN BY K. HAYASHI	DATE '94/07/01	TITLE 2.5/3.0 W/B CONN.(WITH FUSE)RECEPTACLE HOUSING		
	10 OVER 30 UNDER	± 0.25	CHECKED BY M. OOYA M. SAK	DATE '94/09/01	MATERIAL NO. SEE CHART		
	30 OVER	± 0.3	APPROVED BY M. ENOMOTO	DATE '94/09/01	DOCUMENT NO. SD-51128-***01		
ANGULAR ± 3 °		DRAFT WHERE APPLICABLE MUST REMAIN WITHIN DIMENSIONS		SHEET NO. 1 OF 1		THIS DRAWING CONTAINS INFORMATION THAT IS PROPRIETARY TO MOLEX INCORPORATED AND SHOULD NOT BE USED WITHOUT WRITTEN PERMISSION	