

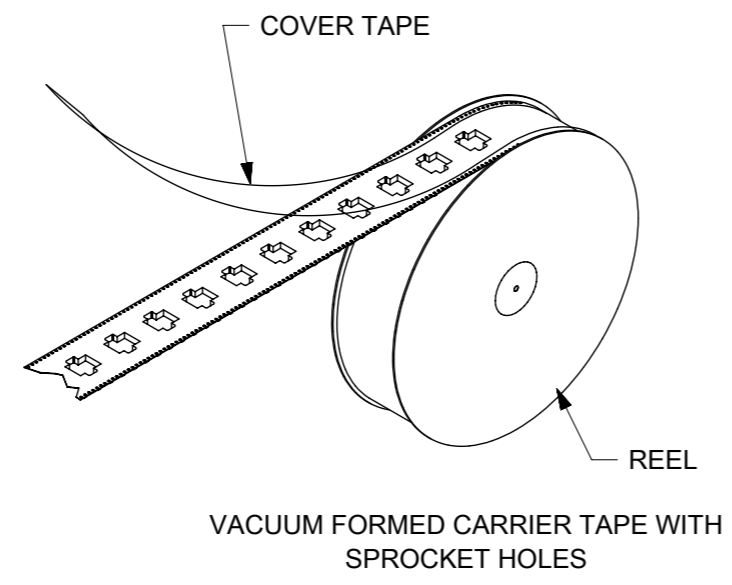
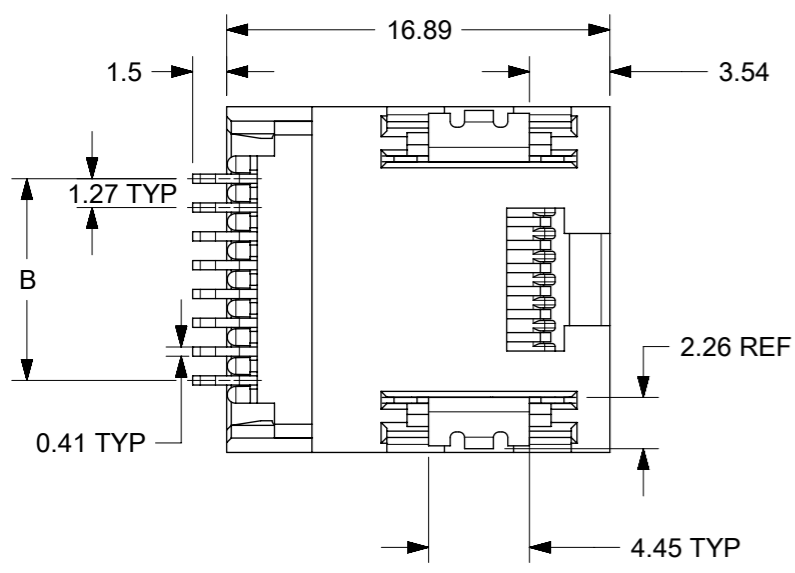
| HOUSING SIZE | CIRCUIT SIZE | DIM. A | DIM. B |
|--------------|--------------|--------|--------|
| 6 | 6 | 13.21 | 6.35 |
| 6 | 4 | 13.21 | 3.81 |
| 6 | 2 | 13.21 | 1.27 |
| 8 | 8 | 15.24 | 8.89 |
| 8 | 6 | 15.24 | 6.35 |

TERMINAL TAILS
SEE NOTE 4

FITTING NAILS
SEE NOTE 4

8 CIRCUIT ASSEMBLY

6 CIRCUIT ASSEMBLY



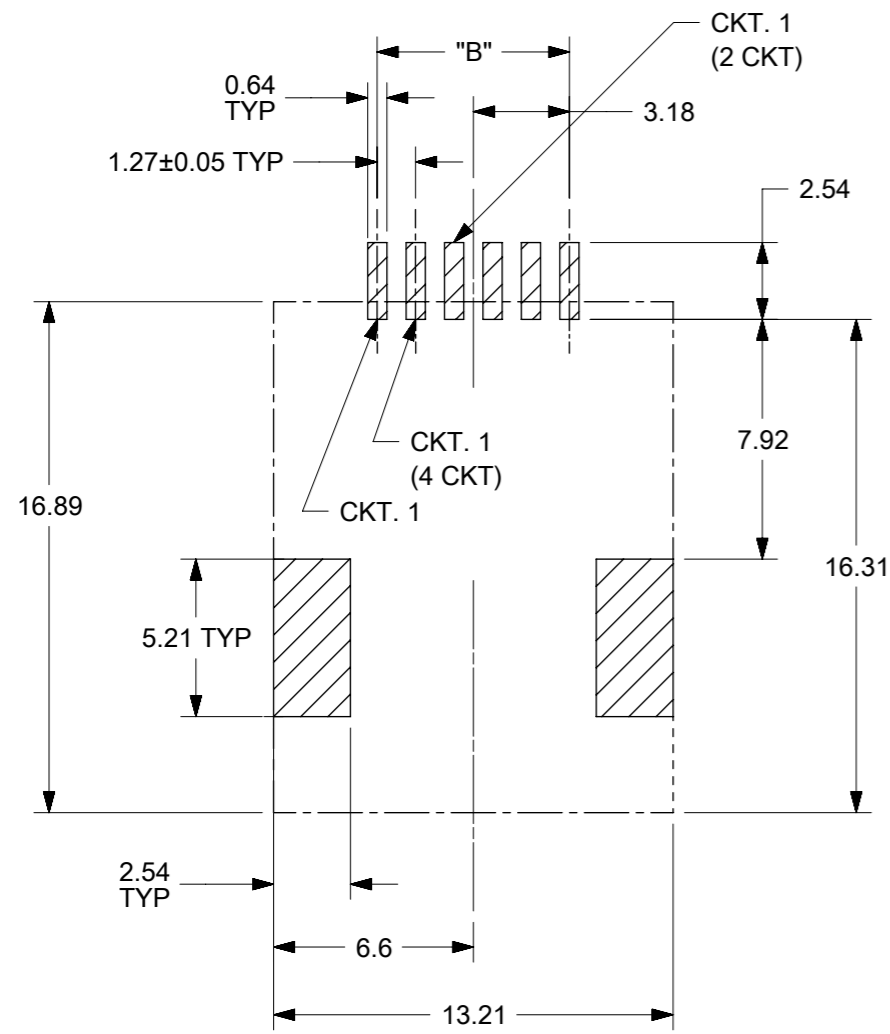
TAPE AND REEL PACKAGING

"X"=NOT TOOLED

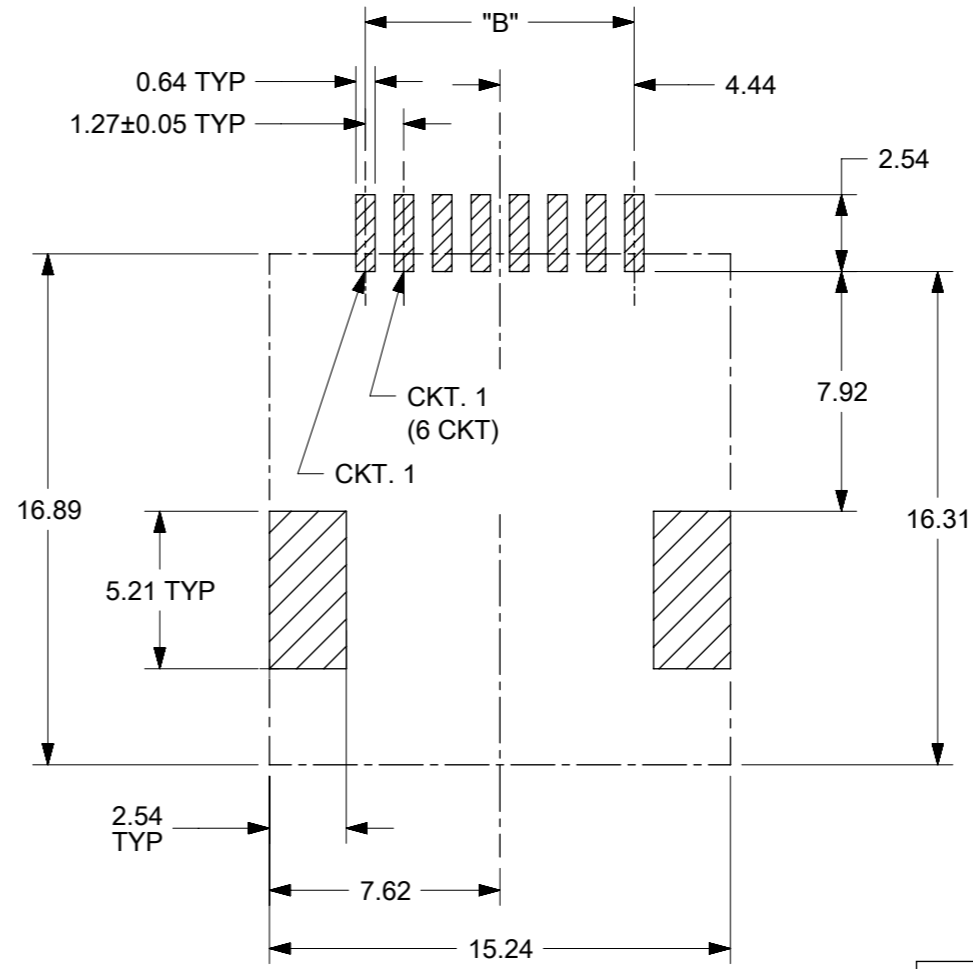
| | ASSEMBLY ITEM NO. | CONNECTOR SIZE | CIRCUIT SIZE | TERMINAL PLATING | TAPE & REEL PACKAGING No. | VOIDED CIRCUITS | HOUSING COLOR |
|---|-------------------|----------------|--------------|------------------|---------------------------|-----------------|---------------|
| X | 44144-0001 | 8 | 4 | A | PK-70873-7002 | NA | BLACK |
| X | 44144-0002 | 8 | 6 | A | PK-70873-7002 | | |
| | 44144-0003 | 8 | 8 | A | PK-70873-7002 | | |
| | 44144-0004 | 6 | 4 | A | PK-70873-7001 | | |
| | 44144-0005 | 6 | 6 | A | PK-70873-7001 | | |
| X | 44144-0006 | 8 | 4 | B | PK-70873-7002 | | |
| X | 44144-0007 | 8 | 6 | B | PK-70873-7002 | | |
| X | 44144-0008 | 8 | 8 | B | PK-70873-7002 | | |
| X | 44144-0009 | 6 | 4 | B | PK-70873-7001 | | |
| X | 44144-0010 | 6 | 6 | B | PK-70873-7001 | | |
| X | 44144-0011 | 8 | 4 | C | PK-70873-7002 | | |
| X | 44144-0012 | 8 | 6 | C | PK-70873-7002 | | |
| | 44144-0013 | 8 | 8 | C | PK-70873-7002 | | |
| | 44144-0014 | 6 | 4 | C | PK-70873-7001 | ▼ | |
| X | 44144-0015 | 6 | 6 | C | PK-70873-7001 | NA | |
| X | 44144-0016 | 8 | 4 | C | PK-70873-7001 | 2,3,6,7 | |
| X | 44144-0017 | 6 | 2 | A | PK-70873-7001 | NA | |
| X | 44144-0018 | 6 | 2 | B | PK-70873-7001 | | |
| X | 44144-0019 | 6 | 2 | C | PK-70873-7001 | ▼ | |
| X | 44144-0023 | 8 | 2 | A | PK-70873-7002 | NA | |

- NOTES :
- MATERIALS:
HOUSING: NYLON, GLASS-FILLED, UL94V-0; COLOR - SEE CHART
TERMINALS: PHOSPHOR BRONZE, 0.30 mm THICK
FITTING NAILS: BRASS ALLOY, 0.25 mm THICK
 - FINISH:
TERMINALS:
(A) SELECT GOLD IN CONTACT AREA: 0.00127 mm MIN.,
*SELECT MATTE TIN IN PC TAIL AREA: 0.00254 mm MIN.,
WITH OVERALL NICKEL UNDERPLATE: 0.00127 mm MIN.
(B) SELECT GOLD IN CONTACT AREA: 0.00076 mm MIN.,
*SELECT MATTE TIN IN PC TAIL AREA: 0.00254 mm MIN.,
WITH OVERALL NICKEL UNDERPLATE: 0.00127 mm MIN.
(C) SELECT GOLD IN CONTACT AREA: 0.00038 mm MIN.,
*SELECT MATTE TIN IN PC TAIL AREA: 0.00254 mm MIN.,
WITH OVERALL NICKEL UNDERPLATE: 0.00127 mm MIN.
FITTING NAILS:
*2.54 MICROMETER MATTE TIN OVER 1.27 MICROMETER NICKEL UNDERPLATE
*THE PRIMARY SHIPPING CARTON WILL BE LABELED "ELV AND RoHS COMPLIANT" CARTONS WITHOUT THIS LABEL MAY CONTAIN PRODUCT WITH TIN-LEAD IN THE PC TAIL AND/OR FITTING NAILS.
 - PRODUCT SPECIFICATION: PS-43743-0001
 - COPLANARITY SPECIFICATION:
WITH THE MODULAR JACK SITTING ON A LEVEL SURFACE, THE MAXIMUM GAP BETWEEN THE LEVEL SURFACE AND ALL TERMINAL TAILS AND BOTH FITTING NAILS IS 0.15 mm.
 - FOR ASSEMBLIES HAVING VOIDED CIRCUITS, THE TAIL PORTION IS CUT AND REMOVED. THE MATING PORTION OF THE TERMINAL REMAINS INTACT.
 - CONVECTION SOLDERING TECHNOLOGY SHOULD BE USED WHEN GANGING MODULAR JACKS WITH INBOARD NAILS SIDE-BY-SIDE.
 - THIS PART CONFORMS TO CLASS B REQUIREMENTS OF COSMETIC SPECIFICATION PS-45499-002.

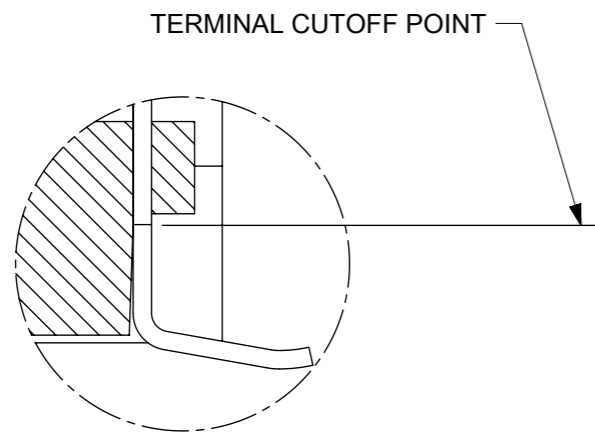
| | | | | | | | |
|---------|---|-------|----------------------------------|--|--|--|--|
| SYMBOLS | THIS DRAWING CONTAINS INFORMATION THAT IS PROPRIETARY TO MOLEX ELECTRONIC TECHNOLOGIES, LLC AND SHOULD NOT BE USED WITHOUT WRITTEN PERMISSION | | CURRENT REV DESC: MIGRATED TO NX | | | | |
| | DIMENSION UNITS | SCALE | | | | | |
| ▽ = 0 | mm | 3:1 | | | 4, 6, 8 CIRCUIT SMT MODULAR JACK W/ FLUSH FITTING NAILS | | |
| ▽ = 0 | GENERAL TOLERANCES (UNLESS SPECIFIED) | | | | PRODUCT CUSTOMER DRAWING | | |
| ▽ = 0 | ANGULAR TOL ± 0.5° | | | | DOCUMENT NUMBER | | |
| ▽ = 0 | 4 PLACES ± | | EC NO: 173578 | | DOC TYPE | | |
| ▽ = 0 | 3 PLACES ± | | DRWN: VK10 2018/01/10 | | DOC PART | | |
| ▽ = 0 | 2 PLACES ± 0.25 | | CHK'D: KLANG 2018/03/23 | | REVISION | | |
| ▽ = 0 | 1 PLACE ± 0.38 | | APPR: KLANG 2018/03/23 | | SD-44144-001 | | |
| ▽ = 0 | 0 PLACES ± | | INITIAL REVISION: | | PSD 001 H7 | | |
| □ = 0 | DRAFT WHERE APPLICABLE MUST REMAIN WITHIN DIMENSIONS | | DRWN: AFENG02 2017/02/23 | | MATERIAL NUMBER | | |
| ▽ = 0 | THIRD ANGLE PROJECTION | | APPR: KLANG 2017/02/27 | | CUSTOMER | | |
| | DRAWING | | SERIES | | SHEET NUMBER | | |
| | A3-SIZE | | 44144 | | 1 OF 2 | | |



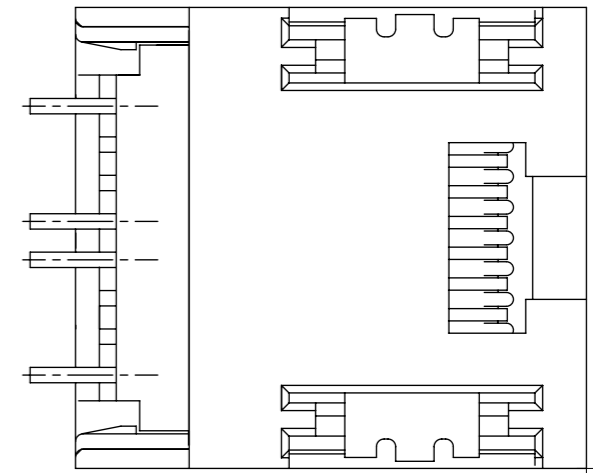
PCB LAYOUT FOR CONNECTOR SIZE 6
(COMPONENT SIDE OF BOARD)



PCB LAYOUT FOR CONNECTOR SIZE 8
(COMPONENT SIDE OF BOARD)

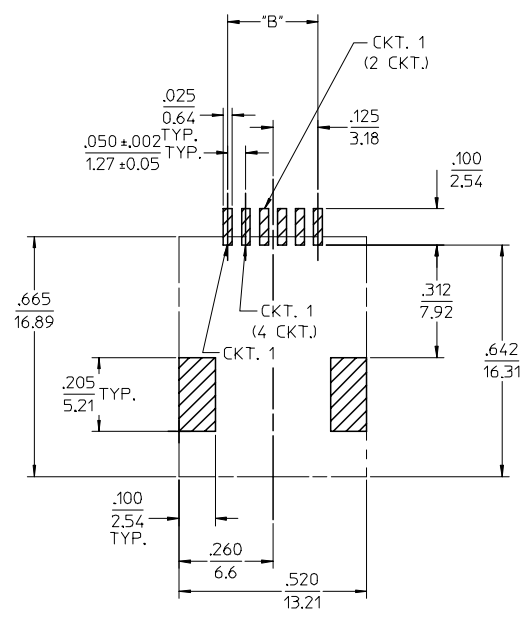


VIEW SHOWING TYPICAL TERMINAL
CUTOFF OF TAIL (SEE NOTE 5) FOR VOIDED CIRCUITS.

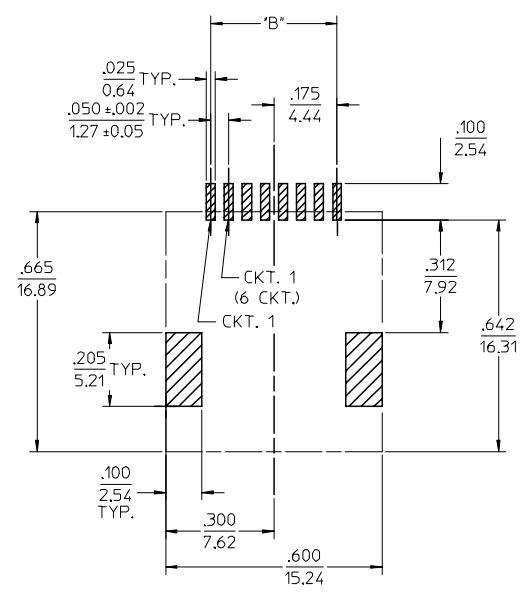


TYPICAL VIEW SHOWING VOIDED CIRCUIT
44144-0016 SHOWN

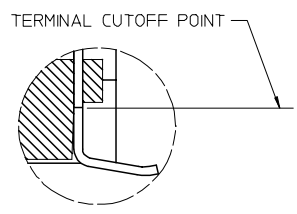
| | | | | | |
|---------|---|----|----------------------------------|-----------------|--|
| SYMBOLS | THIS DRAWING CONTAINS INFORMATION THAT IS PROPRIETARY TO MOLEX ELECTRONIC TECHNOLOGIES, LLC AND SHOULD NOT BE USED WITHOUT WRITTEN PERMISSION | | CURRENT REV DESC: MIGRATED TO NX | | molex |
| | ▽ = 0 | mm | SCALE | 4:1 | |
| ▽ = 0 | GENERAL TOLERANCES (UNLESS SPECIFIED) | | EC NO: 173578 | | 4, 6, 8 CIRCUIT SMT MODULAR JACK W/ FLUSH FITTING NAILS |
| ▽ = 0 | ANGULAR TOL ± 0.5° | | DRWN: VK10 2018/01/10 | | |
| ▽ = 0 | 4 PLACES ± | | CHK'D: KLANG 2018/03/23 | | PRODUCT CUSTOMER DRAWING |
| ▽ = 0 | 3 PLACES ± | | APPR: KLANG 2018/03/23 | | |
| ▽ = 0 | 2 PLACES ± 0.25 | | INITIAL REVISION: | | DOCUMENT NUMBER |
| ▽ = 0 | 1 PLACE ± 0.38 | | DRWN: AFENG02 2017/02/23 | | |
| ▽ = 0 | 0 PLACES ± | | APPR: KLANG 2017/02/27 | | SD-44144-001 |
| ■ = 0 | DRAFT WHERE APPLICABLE MUST REMAIN WITHIN DIMENSIONS | | THIRD ANGLE PROJECTION | DRAWING | DOC TYPE |
| ▽ = 0 | | | A3-SIZE | SERIES | DOC PART |
| | | | 44144 | MATERIAL NUMBER | REVISION |
| | | | SEE CHART | CUSTOMER | H7 |
| | | | GENERAL MARKET | SHEET NUMBER | |
| | | | 2 OF 2 | | |



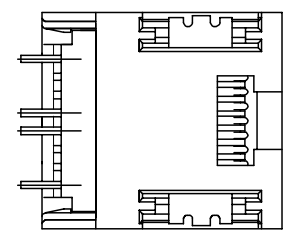
PCB LAYOUT FOR CONNECTOR SIZE 6
(COMPONENT SIDE OF BOARD)



PCB LAYOUT FOR CONNECTOR SIZE 8
(COMPONENT SIDE OF BOARD)



VIEW SHOWING TYPICAL TERMINAL
CUTOFF OF TAIL (SEE NOTE 5) FOR VOIDED CIRCUITS.



TYPICAL VIEW SHOWING VOIDED CIRCUIT
44144-0016 SHOWN

| SEE SHEET ONE EC NO: UCP2004-0798 DRW:LSCHMIDT 2004/01/05 CHKD:LSCHMIDT 2004/01/05 APPR:FSMITH 2004/01/08 | QUALITY SYMBOLS | GENERAL TOLERANCES (UNLESS SPECIFIED) | SCALE 4:1 | DESIGN UNITS INCH | THIRD ANGLE PROJECTION | REVISE ON CAD ONLY | | | | | | | | | | | | | | | |
|---|---|---|-----------|-------------------|------------------------|--------------------|--------|---------|----------|--------|---------|----------|--------|--------|---------|--------|--------|---|-------|---|--|
| | DESCRIPTION ▽ = 0 ▽ = 0 | <table border="1"> <thead> <tr> <th></th> <th>mm</th> <th>INCH</th> </tr> </thead> <tbody> <tr> <td>4 PLACES</td> <td>± .010</td> <td>± .0004</td> </tr> <tr> <td>3 PLACES</td> <td>± .015</td> <td>± .0006</td> </tr> <tr> <td>2 PLACES</td> <td>± 0.25</td> <td>± .010</td> </tr> <tr> <td>1 PLACE</td> <td>± 0.38</td> <td>± .015</td> </tr> </tbody> </table> | | mm | INCH | 4 PLACES | ± .010 | ± .0004 | 3 PLACES | ± .015 | ± .0006 | 2 PLACES | ± 0.25 | ± .010 | 1 PLACE | ± 0.38 | ± .015 | DIMENSION STYLE IN/MM DRAWN BY DSTAMBAU DATE 00/04/07 CHECKED BY BWIRKUS DATE 00/04/07 APPROVED BY R EDGLEY DATE 00/04/07 | TITLE | 4, 6, 8 CIRCUIT SMT MODULAR JACK W/ FLUSH FITTING NAILS | |
| | | | mm | INCH | | | | | | | | | | | | | | | | | |
| | | 4 PLACES | ± .010 | ± .0004 | | | | | | | | | | | | | | | | | |
| 3 PLACES | ± .015 | ± .0006 | | | | | | | | | | | | | | | | | | | |
| 2 PLACES | ± 0.25 | ± .010 | | | | | | | | | | | | | | | | | | | |
| 1 PLACE | ± 0.38 | ± .015 | | | | | | | | | | | | | | | | | | | |
| DRAFT WHERE APPLICABLE MUST REMAIN WITHIN DIMENSIONS | MATERIAL NO. SEE CHART DOCUMENT NO. SD-44144-001 SHEET NO. 2 OF 2 | MOLEX INCORPORATED | | | | | | | | | | | | | | | | | | | |
| THIS DRAWING CONTAINS INFORMATION THAT IS PROPRIETARY TO MOLEX INCORPORATED AND SHOULD NOT BE USED WITHOUT WRITTEN PERMISSION | | | | | | | | | | | | | | | | | | | | | |