

SPECIFICATION FOR APPROVAL



TO: _____

PART NO.		REV.		DELTA SAMPLE ISSUE NO	
PART NAME	EMI FILTER			DELTA MODEL	03AK2D
ORDER P/N.	03AK2D			SAMPLE ISSUE DATE	

1. ELECTRICAL CHARACTERISTICS:

- 1-1. VOLTAGE RATING 115/250VAC
- 1-2. CURRENT RATING
 - A. AT 115VAC 3 A RMS Max.
 - B. AT 250VAC 3 A RMS Max.
- 1-3. OPERATING FREQUENCY..... 50/60 Hz
- 1-4. LEAKAGE CURRENT: EACH LINE TO GROUND
 - A. @115VAC 60Hz 0.20 mA MAX.
 - B. @250VAC 50Hz 0.40 mA MAX.
- 1-5. HIPOT RATING (FOR ONE MINUTE)
 - A. LINE TO GROUND 2250VDC
 - B. LINE TO LINE 1450VDC
- 1-6. TEMPERATURE RANGE: -25 TO +100 DEGREE C
- 1-7. MINIMUM INSERTION LOSS IN dB: (AT 50 OHM SYSTEM)

FREQ. MHz	.01	.05	.10	.15	.50	1.0	5.0	10	30
COM. MODE dB	12	20	30	30	35	40	35	35	35
DIF. MODE dB	/	1	2	10	40	45	45	45	35

1-8. SAFETY

REPORT BY	CHECKED BY	APPROVED BY		
			REV.	

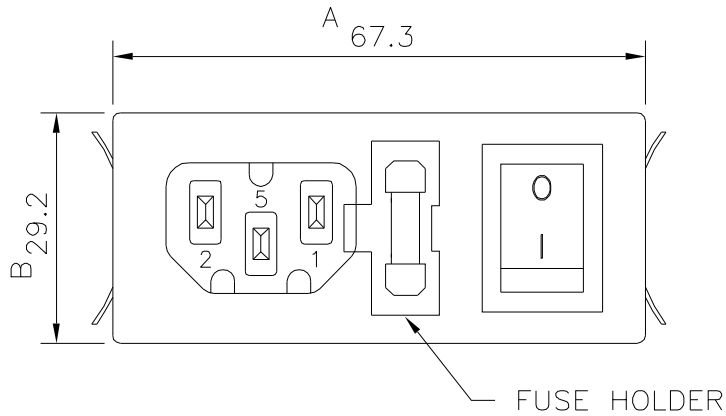
SPECIFICATION FOR APPROVAL



TO: _____

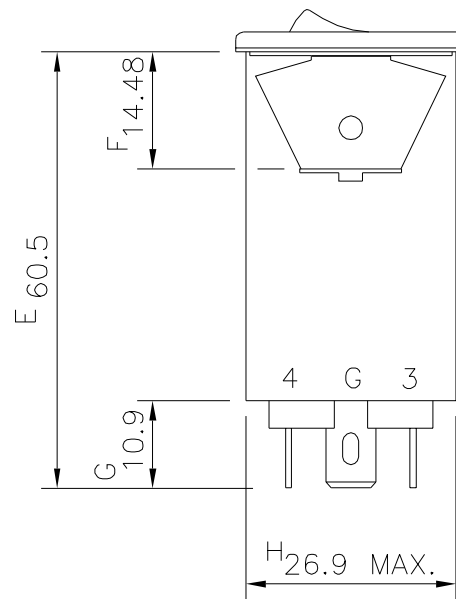
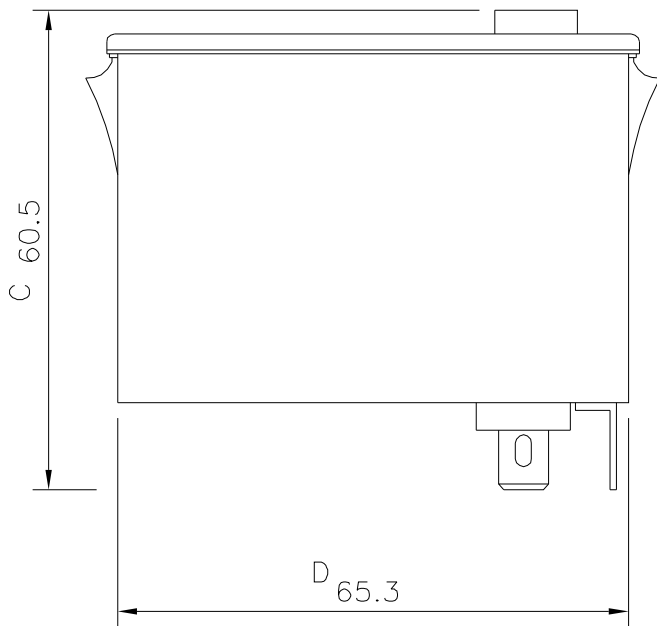
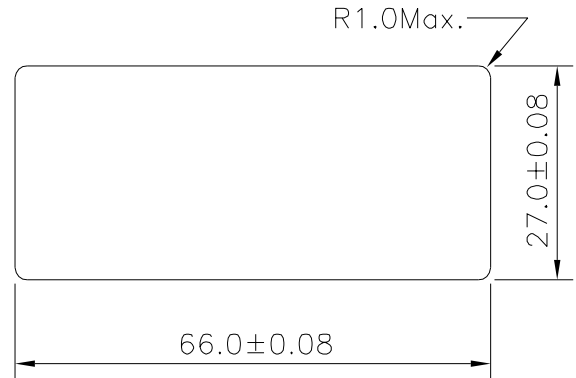
PART NO.		REV.		DELTA SAMPLE ISSUE NO	
PART NAME	EMI FILTER			DELTA MODEL	03AK2D
ORDER P/N.	03AK2D			SAMPLE ISSUE DATE	

2. PHYSICAL DIMENSIONS:



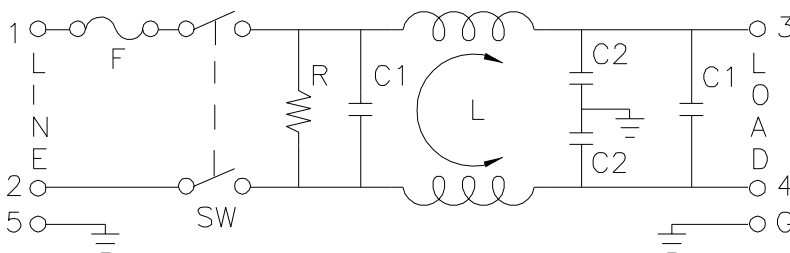
* SUGGESTED THICKNESS OF MOUNTING PANEL IS FROM 1.0 TO 1.6 mm

* SUGGEST MOUNTING CUTOUT



UNIT: mm

3. SCHEMATIC:



L: 14mH
 C1: 0.1uF
 C2: 2200pF
 R: 2.2MΩ

REPORT BY	CHECKED BY	APPROVED BY	UNLESS OTHERWISE SPECIFIED DIMENSION TOLERANCE DCEIMALS .X± .XX± ANGLES±
			REV.

DELTA ELECTRONICS, INC.

186 RUEY KUANG ROAD, NEIHU. TAIPEI 114,
 TAIWAN, R.O.C.
 TEL:886-2-87972088 FAX:886-2-87972120