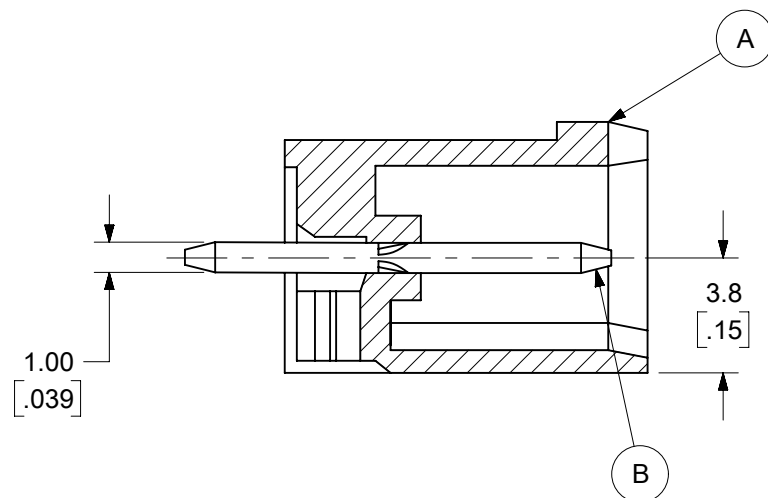
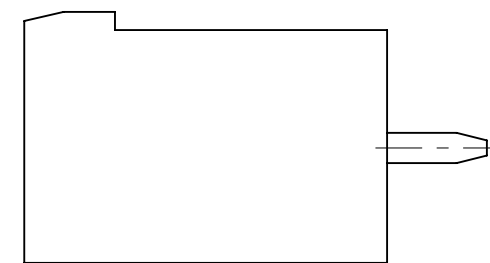
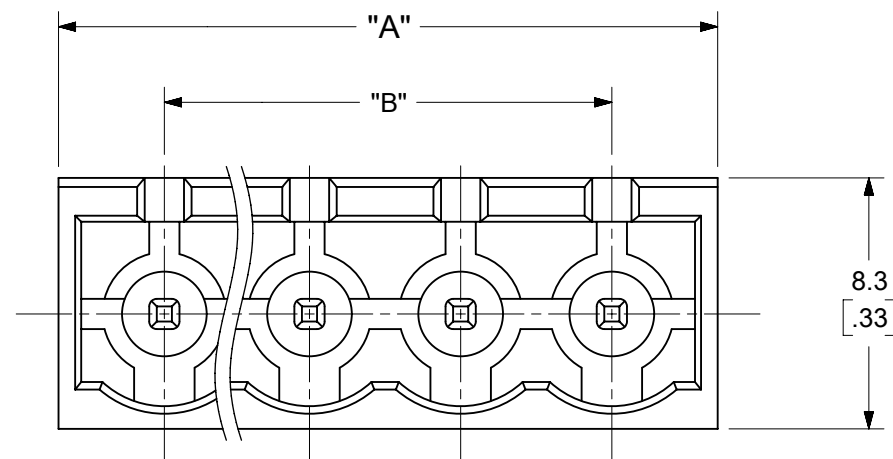
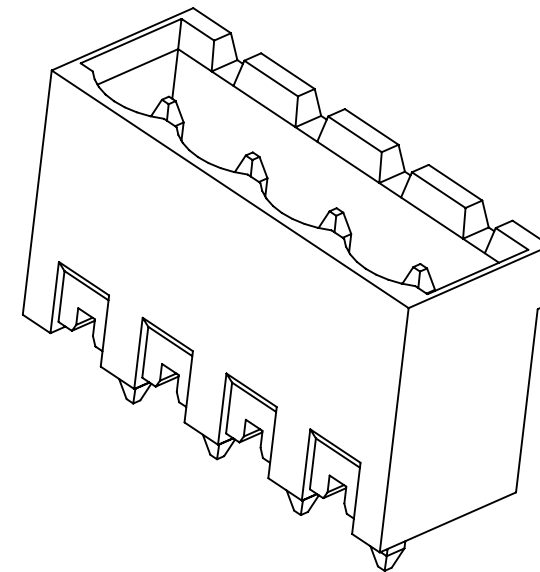
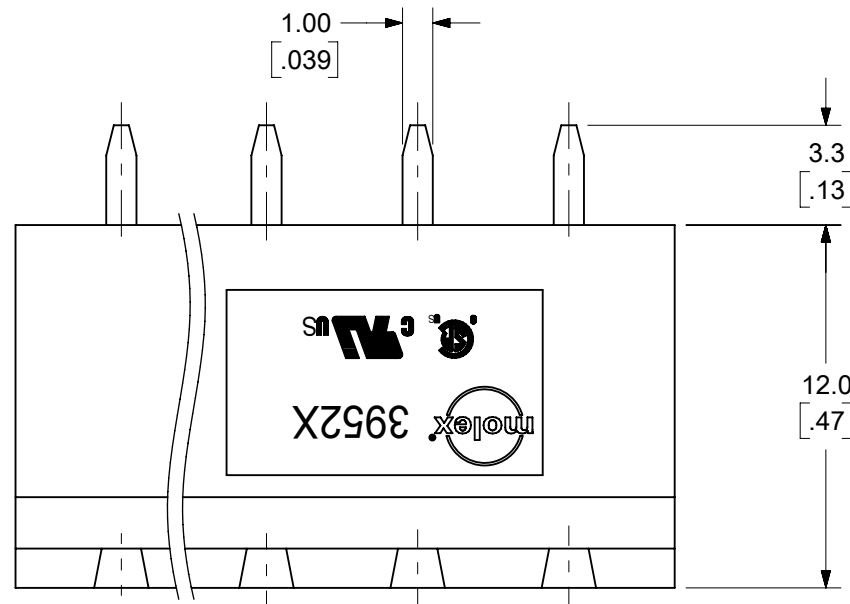


PCB LAYOUT



SPECIFICATIONS:

1. MATERIAL:

(A). BODY: PA66 (UL94-V0)

(B). PIN MATERIAL: BRASS

PIN FINISH:

TIN - 3 µm (118 µin) MIN MATTE TIN

OVER 2 µm (79 µin) MIN NICKEL

GOLD - 0.76 µm (30 µin) MIN GOLD IN CONTACT AREA, 3 µm (118 µin) MIN

MATTE TIN IN SOLDER AREA.

2 µm (79 µin) MIN NICKEL UNDERPLATE

2. ELECTRICAL RATING: 300V, 18A (PER UL)

3. OPERATING TEMPERATURE: -40°C to +115°C.

4. INSULATION RESISTANCE: DC 500V, 500MΩ.

5. DIELECTRIC WITHSTAND: AC 2500V FOR 1 MINUTE.

6. BREAKDOWN VOLTAGE : 4000V.

TOLERANCES			
MM	TOL	INCH	TOL
0-6	±0.25	0-.24	±.010
>6-30	±0.40	.24-1.18	±.016
>30-120	±0.50	1.18-4.76	±.020
>120	±0.80	>4.76	±.031

THIS DRAWING CONTAINS INFORMATION THAT IS PROPRIETARY TO MOLEX ELECTRONIC TECHNOLOGIES, LLC AND SHOULD NOT BE USED WITHOUT WRITTEN PERMISSION											
FUNCTIONAL SYMBOLS		DIMENSION UNITS		SCALE		CURRENT REV DESC: MODIFIED SPECIFICATIONS					
FA = 0		MM/INCH		4:1		<p>EC NO: 735568</p> <p>DRWN: ABENJAMINLW 2023/01/05</p> <p>CHKD: DACHAMMER 2023/01/17</p> <p>APPR: JFMURPHY 2023/01/27</p> <p>INITIAL REVISION:</p> <p>DRWN: LROTHAUS 2006/01/09</p> <p>APPR: JPAWLICK 2006/01/10</p>					
FE = 0		GENERAL TOLERANCES (UNLESS SPECIFIED)									
FD = 0		MM		INCH							
DIVISIONAL SYMBOLS		4 PLACES ± --- ± ---		3 PLACES ± --- ± SEE CHART							
		2 PLACES ± SEE CHART ± SEE CHART		1 PLACE ± SEE CHART ± ---		DOCUMENT NUMBER		DOC TYPE		DOC PART	
		0 PLACES ± --- ± ---		ANGULAR TOL ± ---		SD-39521-002		PSD		001	
		DRAFT WHERE APPLICABLE MUST REMAIN WITHIN DIMENSIONS		THIRD ANGLE PROJECTION		SERIES		CUSTOMER		SHEET NUMBER	
				B-SIZE		39521		GENERAL MARKET		1 OF 2	

