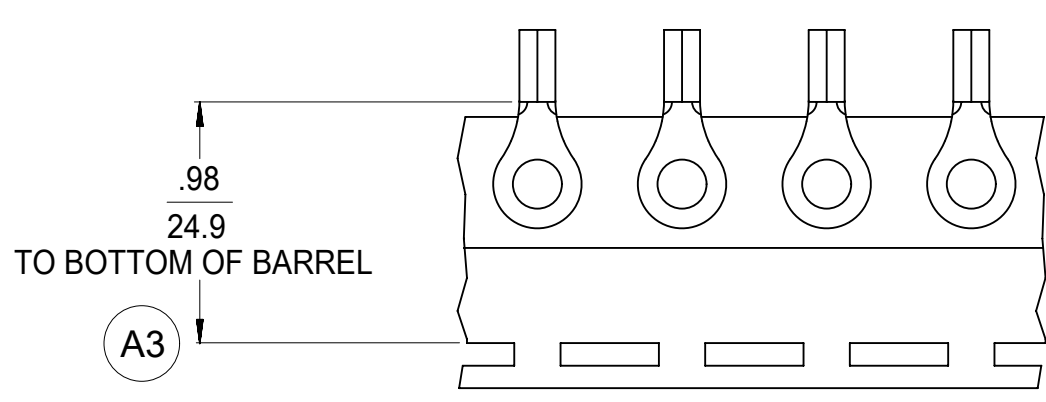
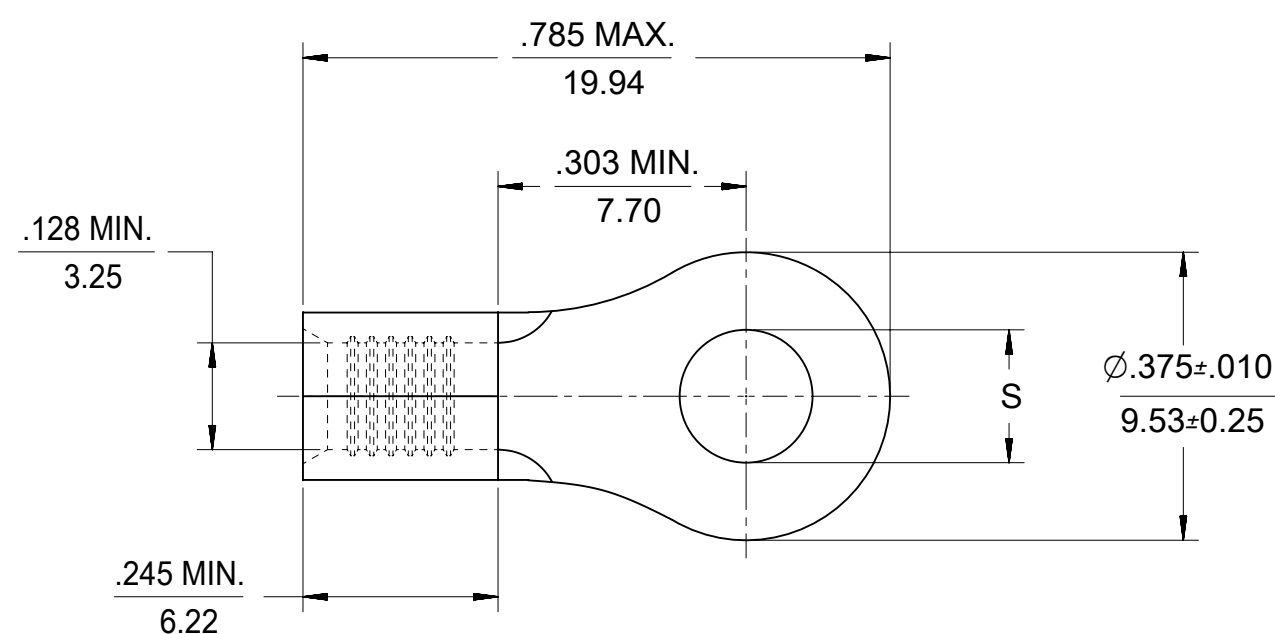


MAT'L NO. (LOOSE PIECE)	ENG. NO.	MAT'L NO. (TAPE MOUNTED)	ENG. NO.	STUD SIZE	"S" ±.005 (0.13)	STOCK THICKNESS	FINISH
190690200	C-128-04	190690147	C-128-04T	4	.126 (3.20)	COPPER .040 (1.02)	SEE NOTE 1
190690202	C-128-06	-----	-----	6	.146 (3.71)		
190690205	C-128-08	190690208	C-128-08T	8	.173 (4.39)		
190690209	C-128-10	190690212	C-128-10T	10	.198 (5.03)		
190690215	C-128-209	-----	-----	209	.209 (5.18)		
192030159	C-U-128-06	-----	-----	6	.146 (3.71)	NICKEL .038 (0.97)	NONE
192030160	C-U-128-08	-----	-----	8	.173 (4.39)		
192030113	C-U-128-10	192030114	C-U-128-10T	10	.198 (5.03)		
190690682	C-128-10-AU	-----	-----	10	.198 (5.03)	COPPER .040 (1.02)	SEE NOTE 2



- NOTES:
1. FINISH: TIN PLATING, 100(2.5) μ in(μ m) MIN
 2. FINISH: GOLD, 50(1.25) μ in(μ m) MIN. OVER NICKEL, 50(1.25) μ in(μ m) MIN. PLATING.
 3. WIRE SIZE: 12-10 AWG, 4.0-6.0 MM²
 3. PARTS ARE RoHS COMPLIANT.

SYMBOLS		THIS DRAWING CONTAINS INFORMATION THAT IS PROPRIETARY TO MOLEX ELECTRONIC TECHNOLOGIES, LLC AND SHOULD NOT BE USED WITHOUT WRITTEN PERMISSION	
▽ = 0	INCH/MM	SCALE	1:1
▽ = 0	GENERAL TOLERANCES (UNLESS SPECIFIED)		
▽ = 0		MM	INCH
▽ = 0	4 PLACES	±	±
▽ = 0	3 PLACES	±	±
▽ = 0	2 PLACES	±	±
▽ = 0	1 PLACE	±	±
▽ = 0	0 PLACES	±	±
□ = 0	ANGULAR TOL ± °		
■ = 0	DRAFT WHERE APPLICABLE MUST REMAIN WITHIN DIMENSIONS		
▽ = 0	THIRD ANGLE PROJECTION		
		DRAWING	B-SIZE
		SERIES	19069
		MATERIAL NUMBER	GENERAL MARKET
		CUSTOMER	1 OF 1

molex

RING TONGUE TERMINAL
KRIMPTITE, 128 SERIES 12-10 AWG

PRODUCT CUSTOMER DRAWING

DOCUMENT NUMBER: SD-19069-020
DOC TYPE: PSD
DOC PART: 001
REVISION: A3